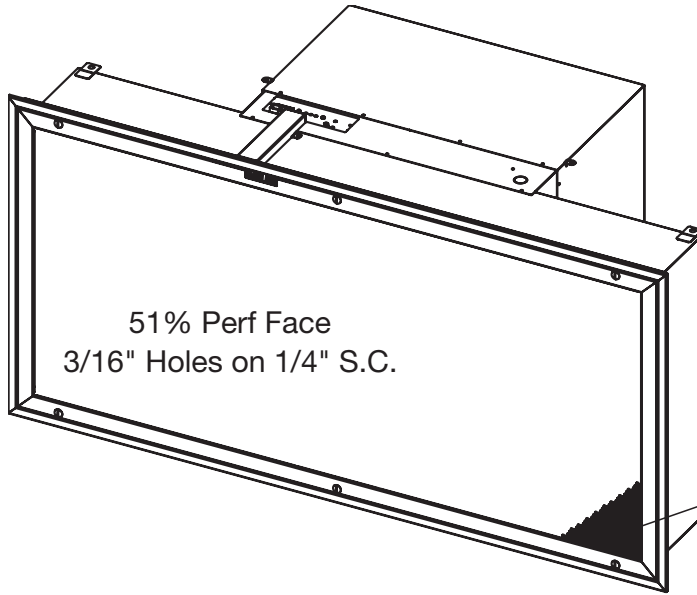
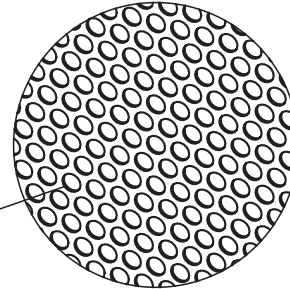
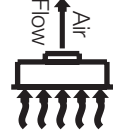


Model: HLC-FPR-MEA  
Fan Filter Return/Exhaust Diffuser with Roomside Replaceable Filter, Roomside Accessible Motor & Electronics



ETL LISTED  
CONFORMS TO  
UL STD 507  
CERTIFIED TO C22.2 NO. 113



51% Perf Detail

**Construction Options**

Plenum Material

- 304 Stainless Steel
- 316 Stainless Steel

Face Material

- Aluminum
- 304 Stainless Steel
- 316 Stainless Steel

Duct Connection Options

- No Duct Connection
- \_\_\_\_\_ Round Connection (6, 8, 10, 12, 14)

Filter Type

- MERV 8 pre-filter (Standard)
- HEPA Filter (2 in pack)
- High Flow HEPA Filter (4 in pack)
- ULPA Filter

**Electronic Options**

Motor Voltage

- 120VAC - 2.8 FLA
- 208VAC - 2.6 FLA
- 240VAC - 2.3 FLA
- 277VAC - 1.9 FLA

Face Control & Display (Standard)

- MODBUS RTU Controller
- BACnet® Controller

Airflow Sensor (Standard)

On/Off Indicator: Yellow LED (Standard)

Airflow Indicator: Green LED (Standard)

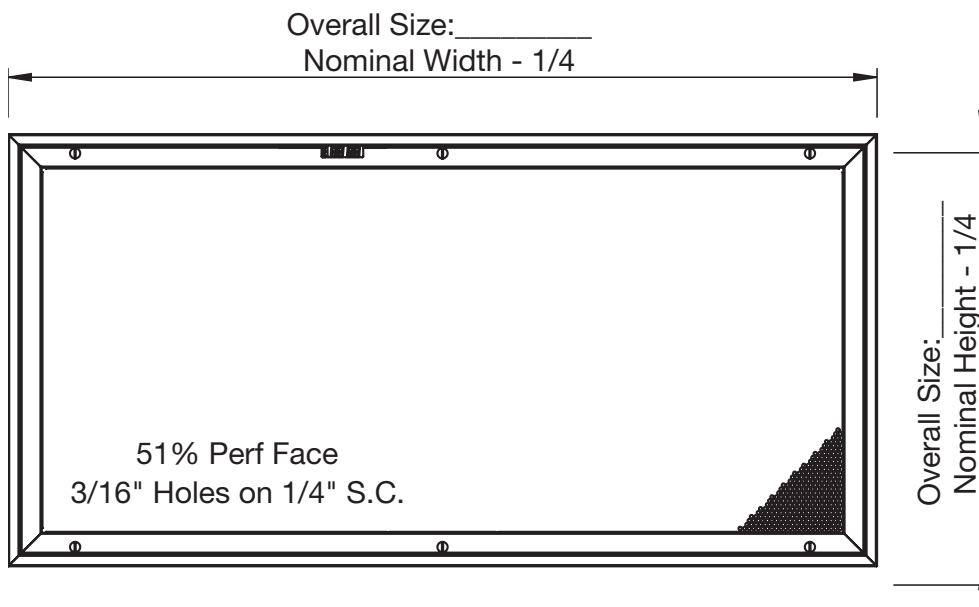
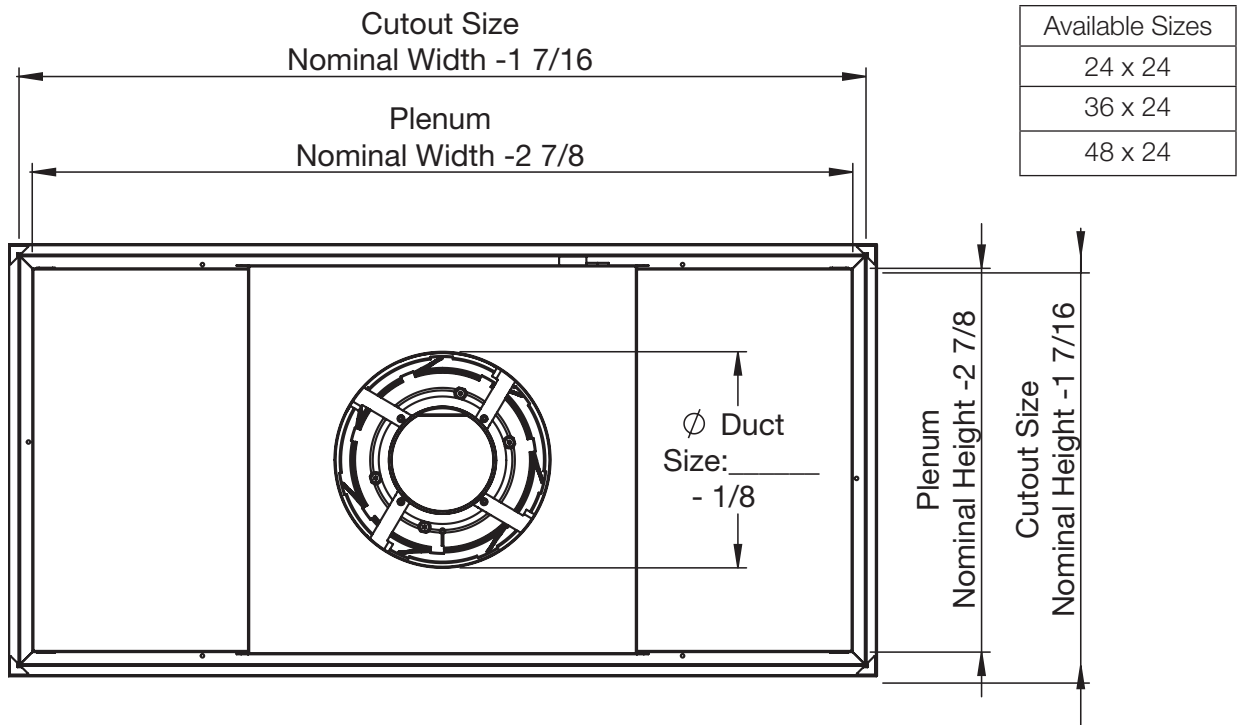
- Filter Indicator: Red LED
- Continuous Filter Monitoring

1. Available Finishes	2. Available Accessories	3. Available Options	4. Construction Details
01 White 01 SS White 23 Satin Polish	Basic Wall Controller (one per unit) MODBUS RTU to BACnet Gateway T-Bar Plaster Frame	Round Ducted Connection HEPA or ULPA Filters External 1-1/2" Foil Faced Insulation OSP Approved Seismic Brackets	<ul style="list-style-type: none"> <li>• Fully Welded Knife Edge Frame</li> <li>• Roomside Replaceable Filter</li> <li>• Roomside Accessible Motor &amp; Electronics</li> <li>• Field Configurable Motor Operation - Constant flow or constant speed</li> </ul>

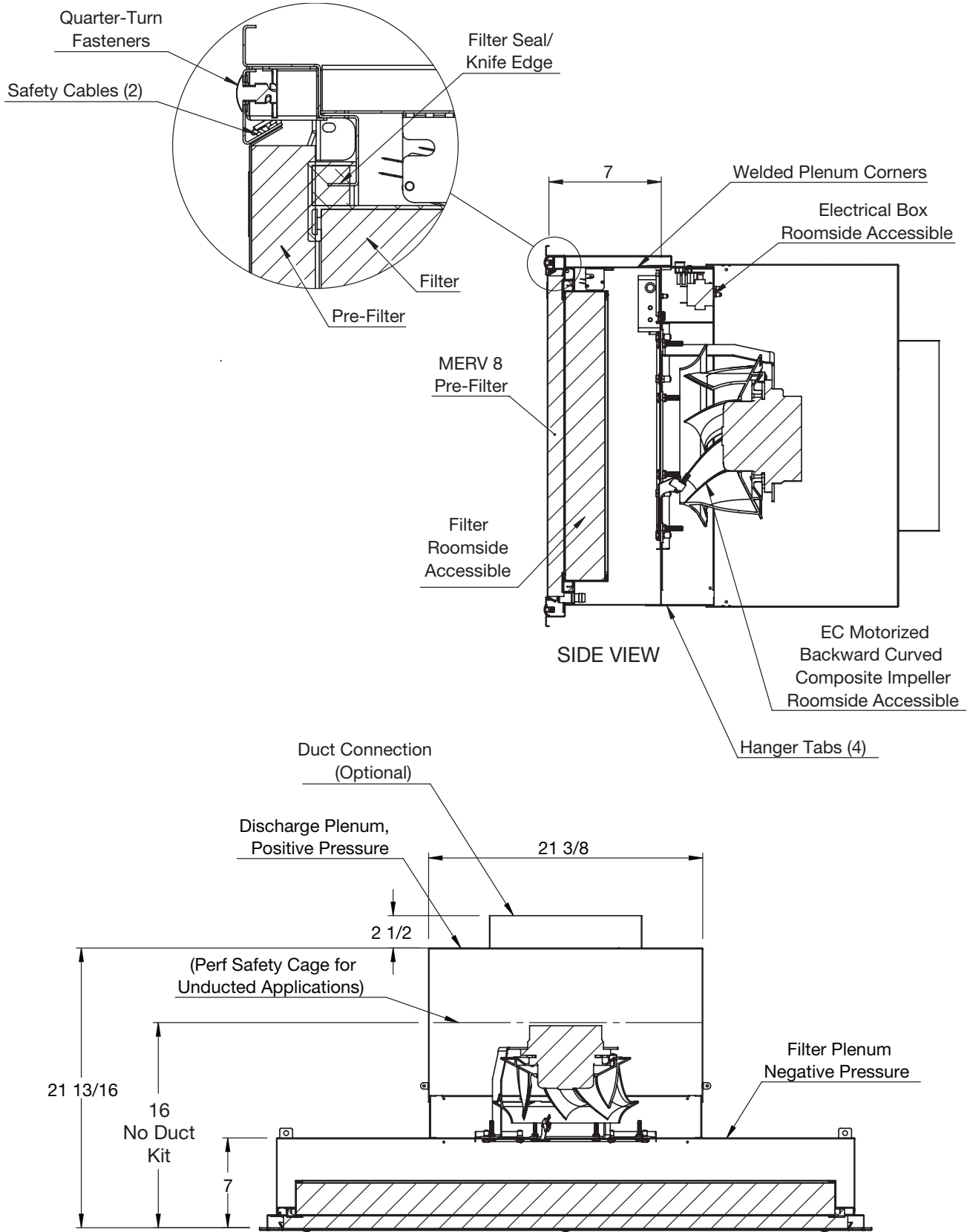
All Dimensions ±1/16"

Model: HLC-FPR-MEA

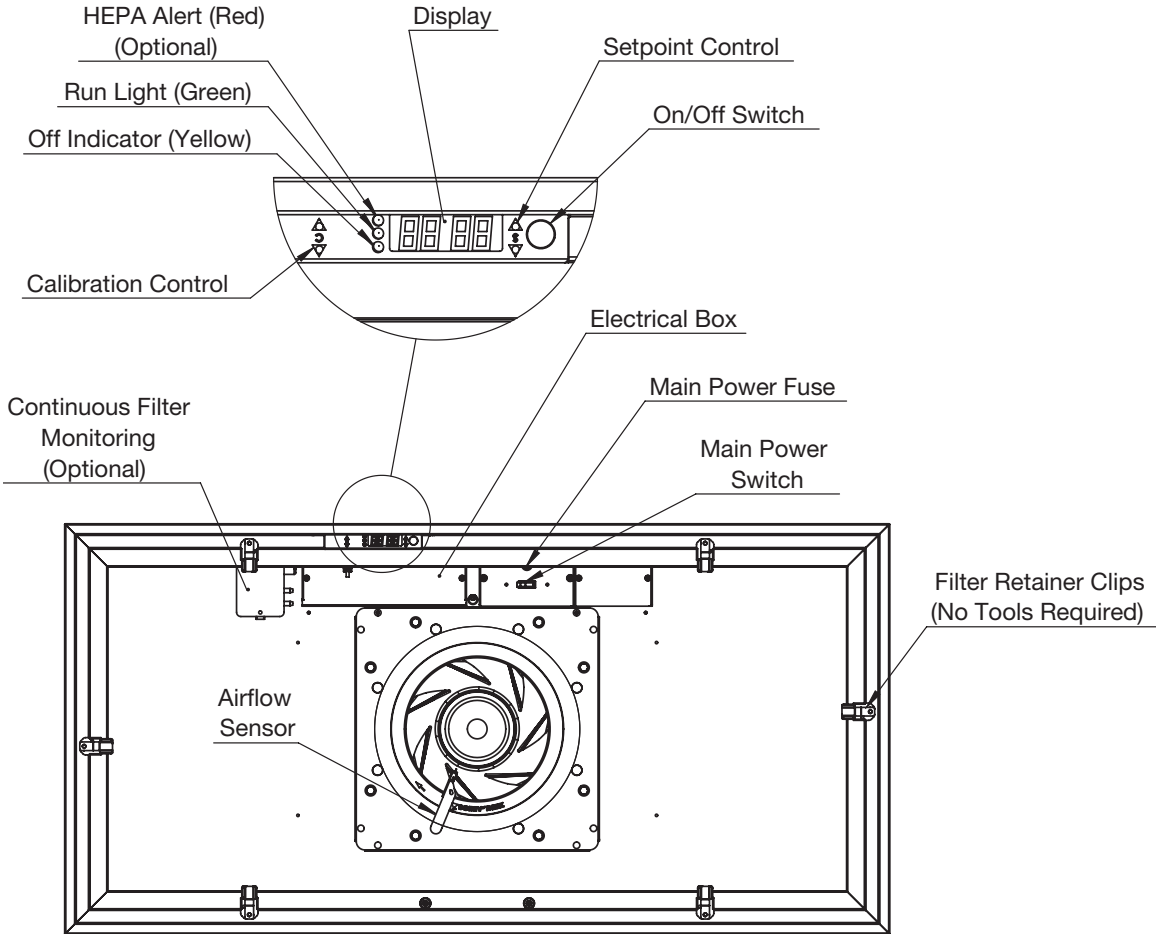
Fan Filter Return/Exhaust Diffuser with Roomside Replaceable Filter, Roomside Accessible Motor & Electronics



Model: HLC-FPR-MEA  
Fan Filter Return/Exhaust Diffuser with Roomside Replaceable Filter, Roomside Accessible Motor & Electronics



Model: HLC-FPR-MEA  
Fan Filter Return/Exhaust Diffuser with Roomside Replaceable Filter, Roomside Accessible Motor & Electronics



FACE FRAME AND HEPA FILTER  
REMOVED FOR CLARITY

