

Model: HLC-FPS-MEA-LED  
Fan Filter Supply Diffuser with Integral LED Lighting Roomside Replaceable Filter, Roomside Accessible Motor & Electronics

**Construction Options**

Plenum Material

- 304 Stainless Steel
- 316 Stainless Steel

Face Material

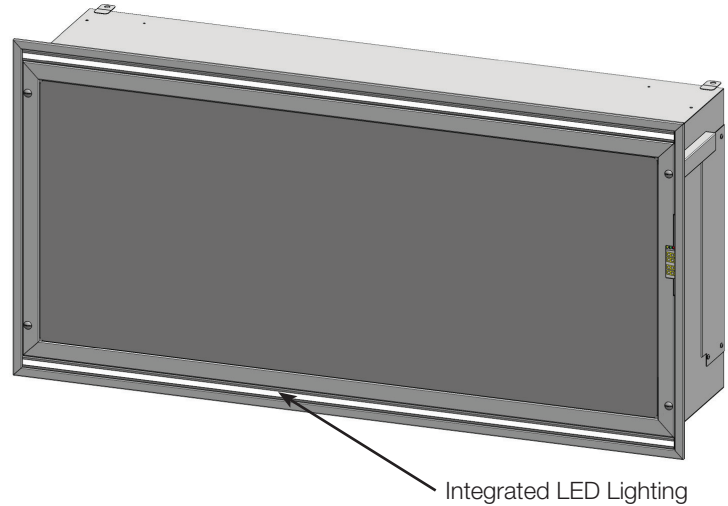
- Aluminum
- 304 Stainless Steel
- 316 Stainless Steel

Inlet Options

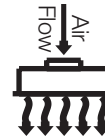
- No Inlet with Pre-filter
- \_\_\_\_\_ Round Inlet (6, 8, 10, 12, 14)
  - No Pre-filter
  - Pre-filter Kit

Filter Type

- HEPA Filter (2 in pack)
- High Flow HEPA Filter (4 in pack)
- ULPA Filter



ETL LISTED  
CONFORMS TO  
UL STD 507  
CERTIFIED TO C22.2 NO. 113



**Electronic Options**

Motor Voltage

- 120VAC - 2.8 FLA
- 208VAC - 2.6 FLA
- 240VAC - 2.3 FLA
- 277VAC - 1.9 FLA

Face Control & Display (Standard)

- MODBUS RTU Controller
- BACnet Controller

Airflow Sensor (Standard)

On/Off Indicator: Yellow LED (Standard)

Airflow Indicator: Green LED (Standard)

- Filter Indicator: Red LED
- Continuous Filter Monitoring

**LED Lighting Options**

UL Listed - 1598 Standard for Luminaires

120-277V, 100W, 0-10V Dimmable, Class 2 Driver

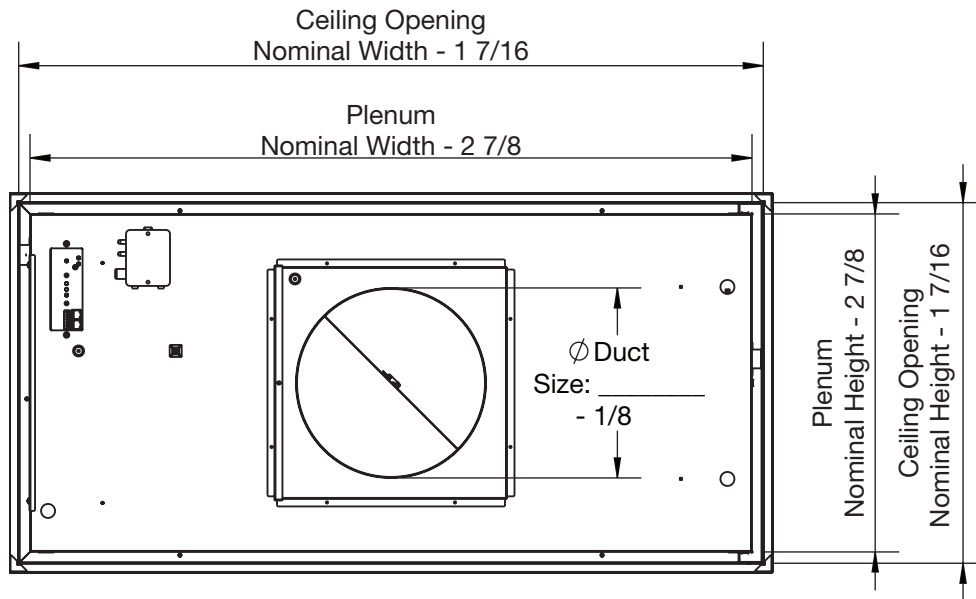
- Tunable White: 2700K - 6500K; 90+ CRI
- Tunable Green to White: Green-525nm to 6500K; 90+ CRI
- Fixed Color Temperature
  - Factory pre-set \_\_\_\_\_
- Battery Backup: 20% of light for up to 90 minutes



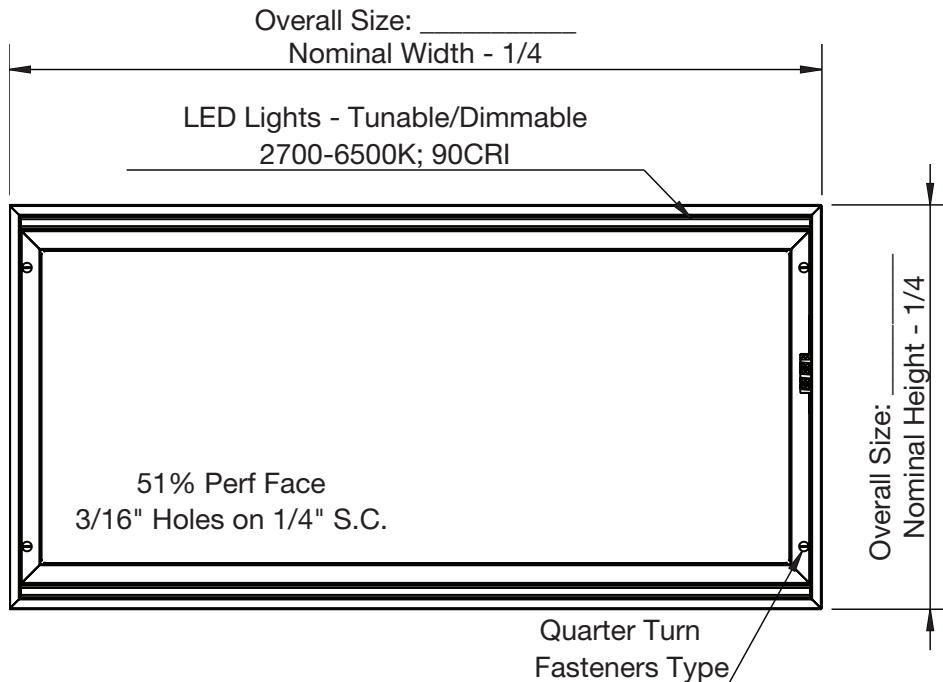
1. Available Finishes	2. Available Accessories	3. Available Options	4. Construction Details
01 White 01 SS White 23 Satin Polish	Basic Wall Controller (one per unit) MODBUS RTU to BACnet Gateway T-Bar Plaster Frame	Round Ducted Inlet without Pre-filter Round Ducted Inlet with Pre-Filter HEPA or ULPA Filters Tunable White LEDs Tunable Green LEDs Factory Set Color Temperature 90 Minute Battery Backup External 1-1/2" Foil Faced Insulation OSP Approved Seismic Brackets	<ul style="list-style-type: none"> <li>• Integrated Surgical LED Lighting; 90+ CRI</li> <li>• 0-10V Dimmable, Class 2, 120-277V Driver</li> <li>• Fully Welded Knife Edge Frame</li> <li>• Roomside Replaceable Filter</li> <li>• Roomside Accessible Motor &amp; Electronics</li> <li>• Field Configurable Motor Operation - Constant flow or constant speed</li> <li>• Aerosol Distribution Manifold Static Pressure and Aerosol Challenge test port</li> </ul> <p style="text-align: right;">All Dimensions ±1/16"</p>

Model: HLC-FPS-MEA-LED

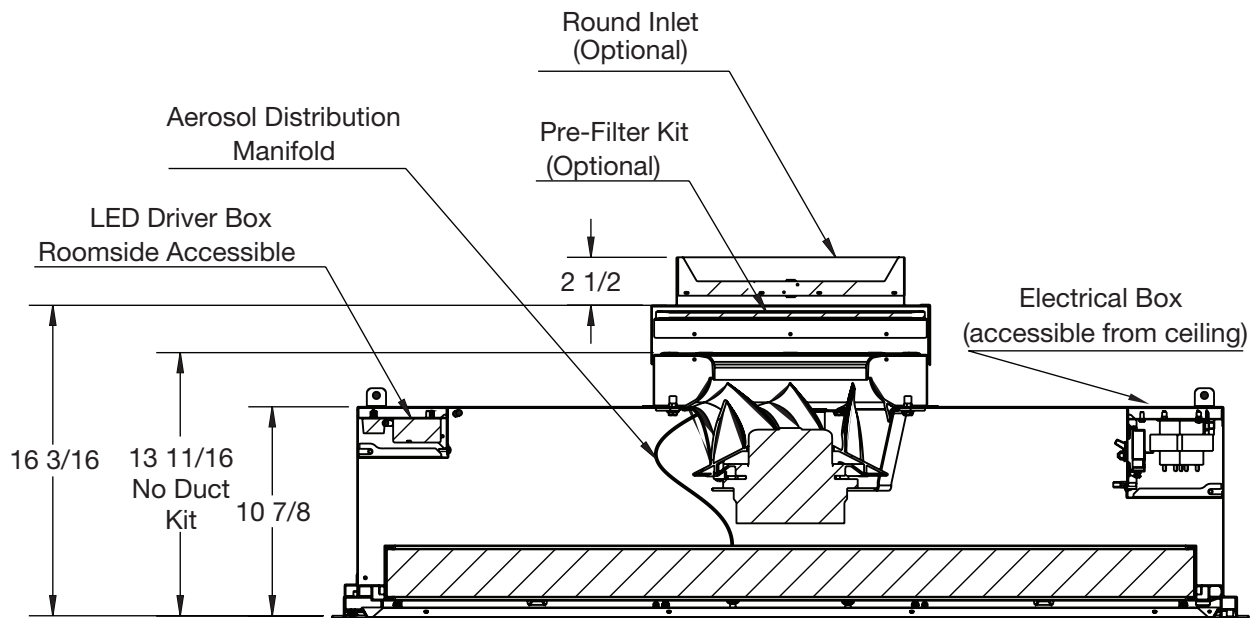
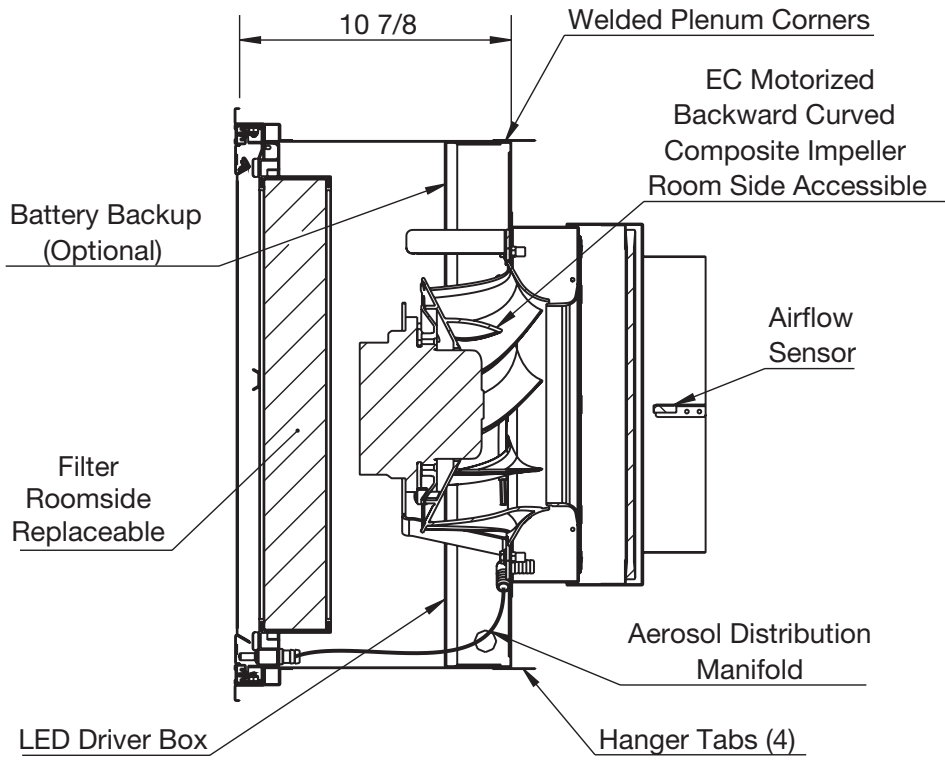
Fan Filter Supply Diffuser with Integral LED Lighting Roomside Replaceable Filter, Roomside Accessible Motor & Electronics



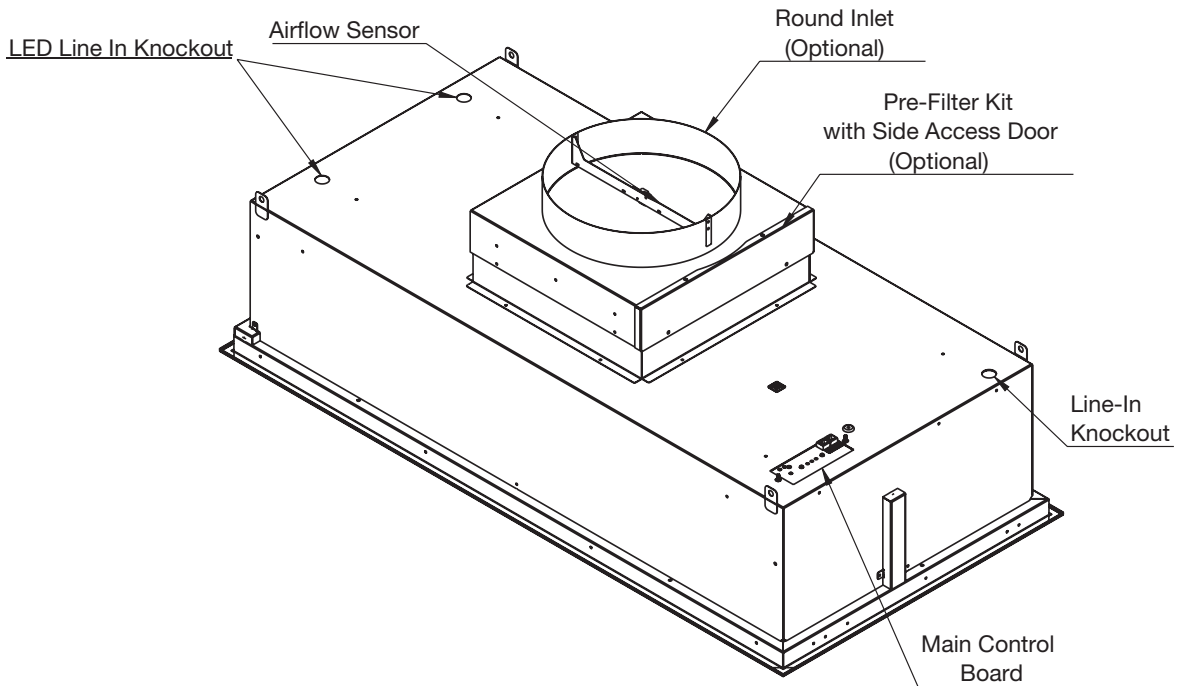
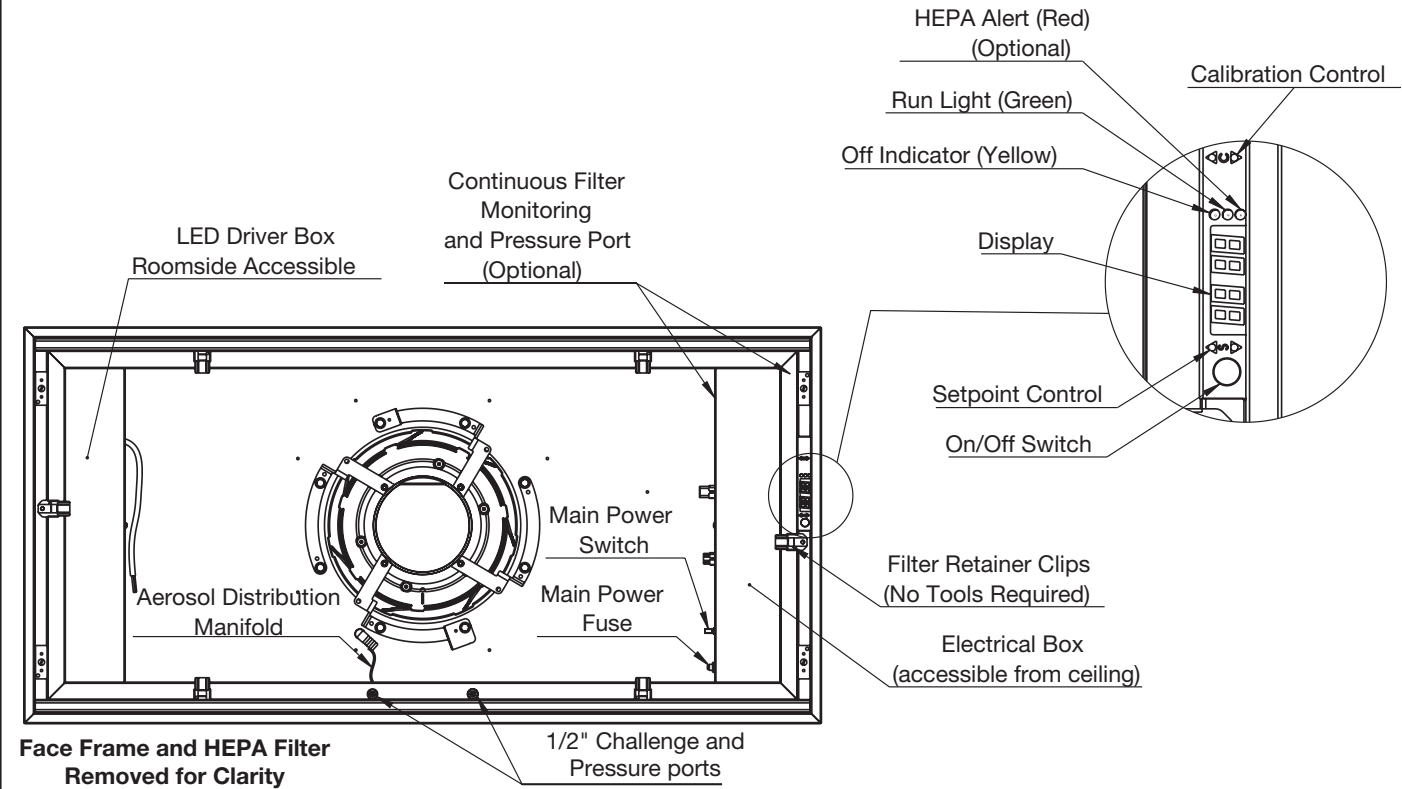
Available Sizes
24 x 24
36 x 24
48 x 24



Model: HLC-FPS-MEA-LED  
Fan Filter Supply Diffuser with Integral LED Lighting Roomside Replaceable Filter, Roomside Accessible Motor & Electronics



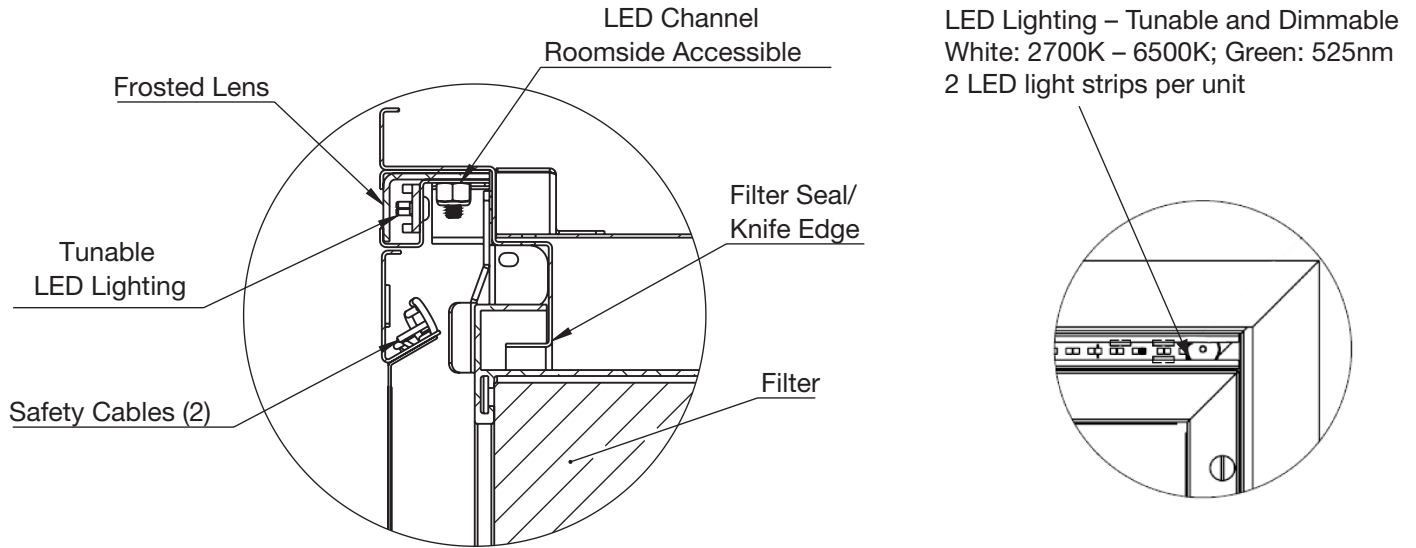
**Model: HLC-FPS-MEA-LED**  
Fan Filter Supply Diffuser with Integral LED Lighting Roomside Replaceable Filter, Roomside Accessible Motor & Electronics



**Model: HLC-FPS-MEA-LED**

Fan Filter Supply Diffuser with Integral LED Lighting Roomside Replaceable Filter, Roomside Accessible Motor & Electronics

### LED Lighting Details

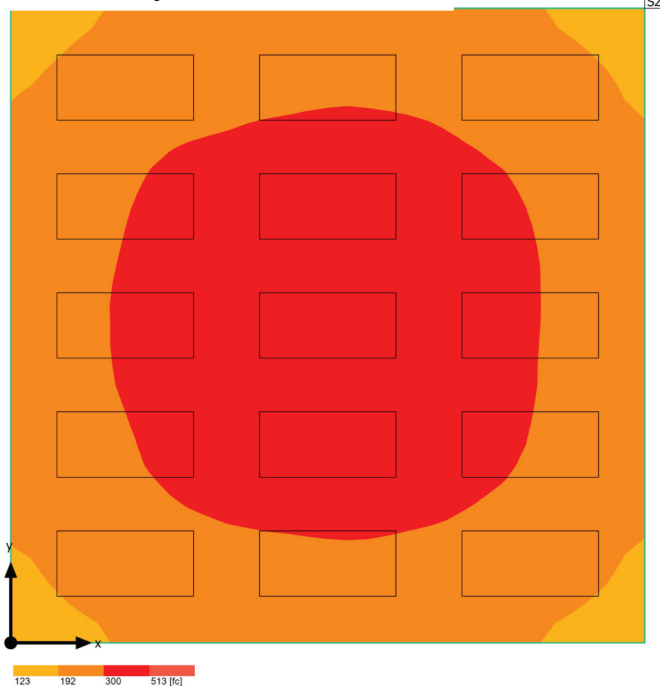


### LED Lighting Illumination Example

48 x 24 SSLF-LED Example Lighting

Building 1 · Storey 1 · Room 1 (Light scene 4 (Room 1))

Calculation objects



#### Room Parameters:

- 18 Ft SQ - 10 Ft. Ceiling Height
- 3 Ft. Working Plane
- Example Layout with 48 x 24 LED Diffusers
- Lighting will vary depending on actual room conditions
- Does not account for any additional lighting in the room

Work planes

Properties	$\bar{E}$ (Target)	$E_{min}$	$E_{max}$	$g_1$	$g_2$	Index
Workplane (Room 1) Perpendicular illuminance (adaptive) Height: 3.000 ft, Wall zone: 0.000 ft	277 fc (≥ 92.9 fc)	151 fc	351 fc	0.55	0.43	□
	✓					