

Model: HLC-FPS-STD-LED
Fan Filter Supply Diffuser with Integral LED Lighting- Roomside Replaceable Filter

Construction Options

Plenum Material

- 304 Stainless Steel
- 316 Stainless Steel

Face Material

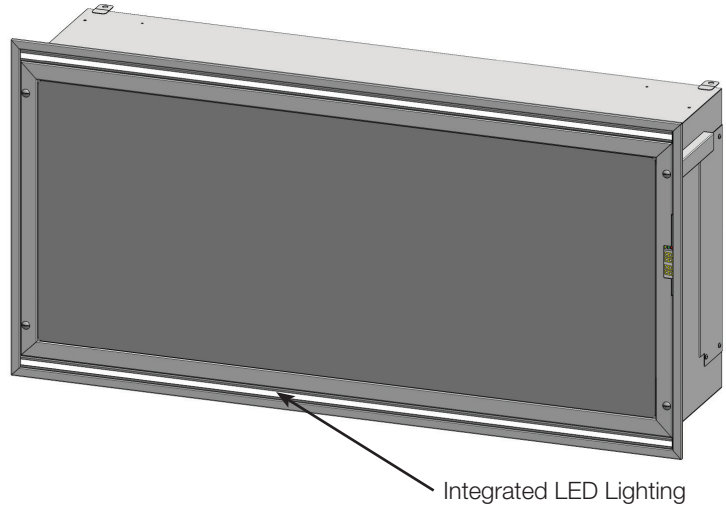
- Aluminum
- 304 Stainless Steel
- 316 Stainless Steel

Inlet Options

- No Inlet with Pre-filter
- _____ Round Inlet (6, 8, 10, 12, 14)
 - No Pre-filter
 - Pre-filter Kit

Filter Type

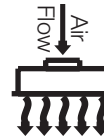
- HEPA Filter (2 in pack)
- High Flow HEPA Filter (4 in pack)
- ULPA Filter



Integrated LED Lighting



ETL LISTED
CONFORMS TO
UL STD 507
CERTIFIED TO C22.2 NO. 113



Electronic Options

Motor Voltage

- 120VAC - 2.8 FLA
- 208VAC - 2.6 FLA
- 240VAC - 2.3 FLA
- 277VAC - 1.9 FLA

Face Control & Display (Standard)

- MODBUS RTU Controller
- BACnet Controller

Airflow Sensor (Standard)

On/Off Indicator: Yellow LED (Standard)

Airflow Indicator: Green LED (Standard)

- Filter Indicator: Red LED
- Continuous Filter Monitoring

LED Lighting Options

UL Listed - 1598 Standard for Luminaires

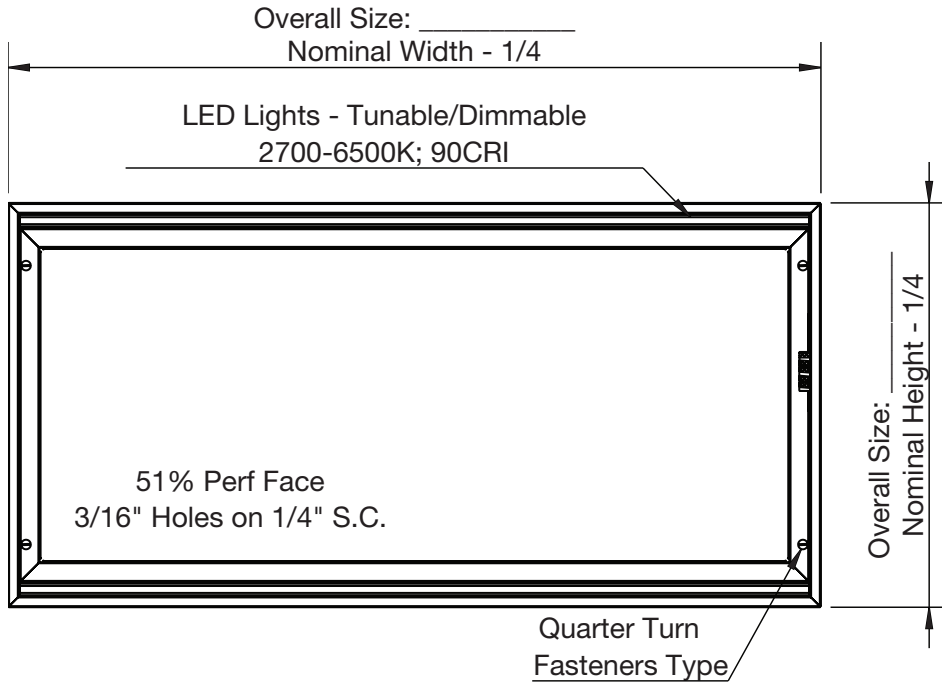
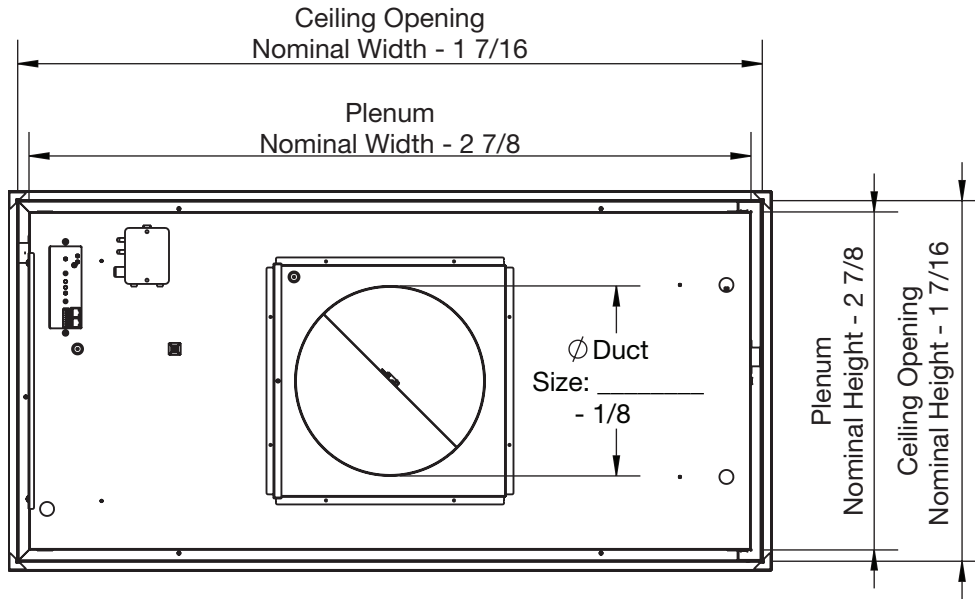
120-277V, 100W, 0-10V Dimmable, Class 2 Driver

- Tunable White: 2700K - 6500K; 90+ CRI
- Tunable Green to White: Green-525nm to 6500K; 90+ CRI
- Fixed Color Temperature
 - Factory pre-set _____
- Battery Backup: 20% of light for up to 90 minutes

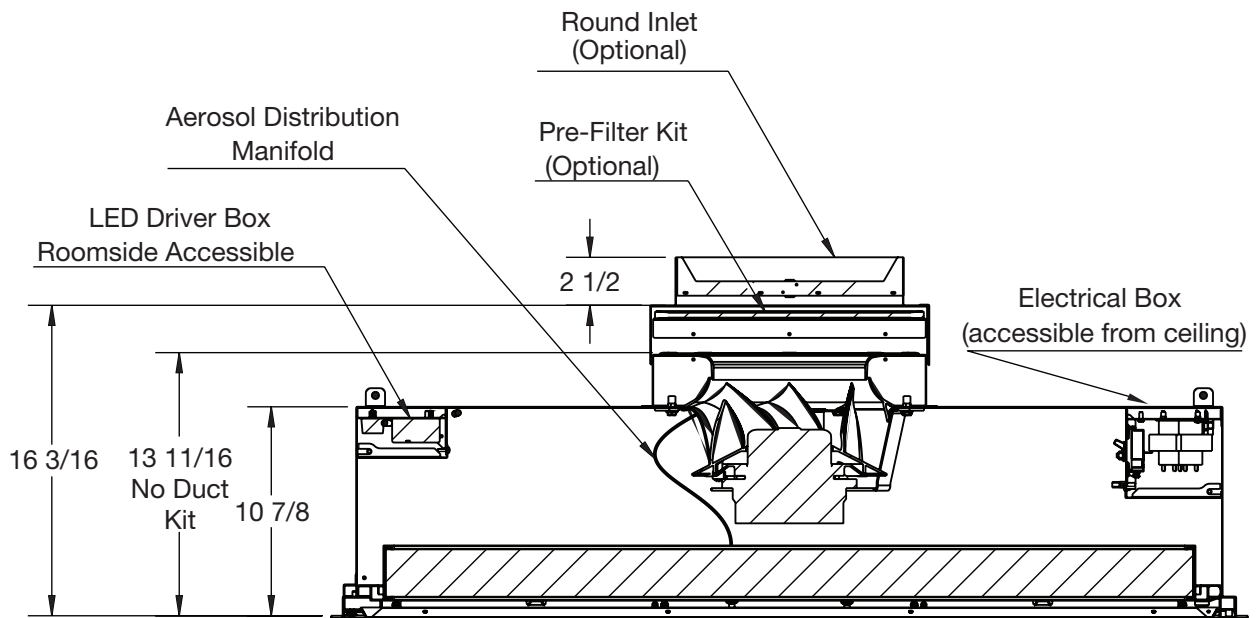
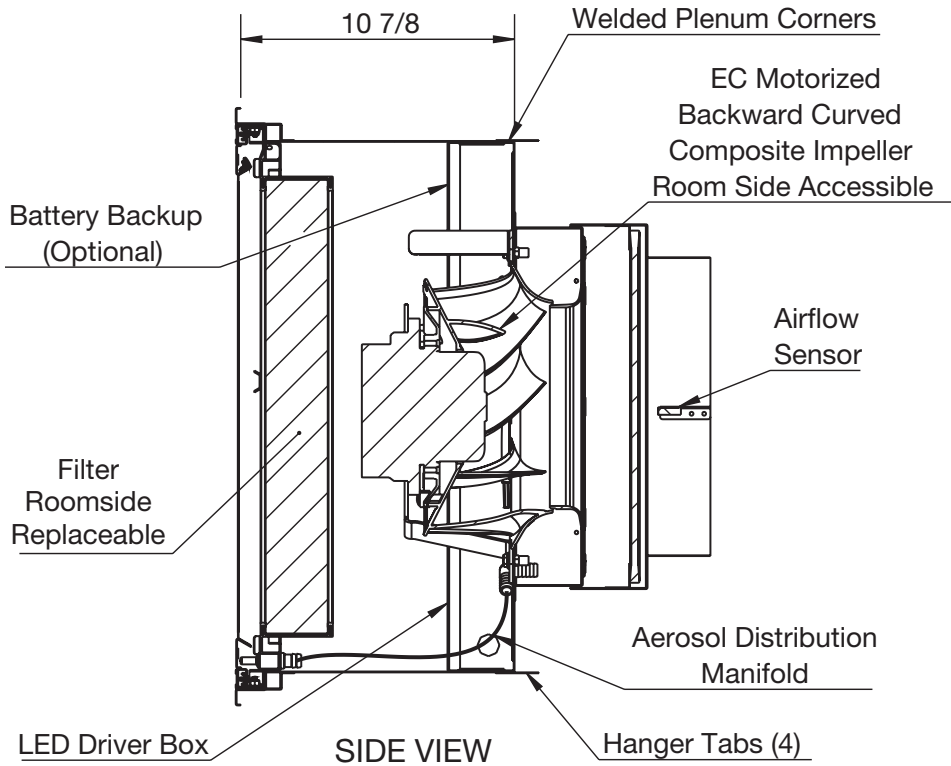


1. Available Finishes	2. Available Accessories	3. Available Options	4. Construction Details
01 White 01 SS White 23 Satin Polish	Basic Wall Controller (one per unit) MODBUS RTU to BACnet Gateway T-Bar Plaster Frame	Round Ducted Inlet without Pre-filter Round Ducted Inlet with Pre-Filter HEPA or ULPA Filters Tunable White LEDs Tunable Green LEDs Factory Set Color Temperature 90 Minute Battery Backup External 1-1/2" Foil Faced Insulation OSP Approved Seismic Brackets	<ul style="list-style-type: none"> • Integrated Surgical LED Lighting; 90+ CRI • 0-10V Dimmable, Class 2, 120-277V Driver • Fully Welded Knife Edge Frame • Roomside Replaceable Filter • Field Configurable Motor Operation - Constant Flow or Constant Speed • Aerosol Distribution Manifold Static Pressure and Aerosol Challenge test port <p style="text-align: right;">All Dimensions ±1/16"</p>

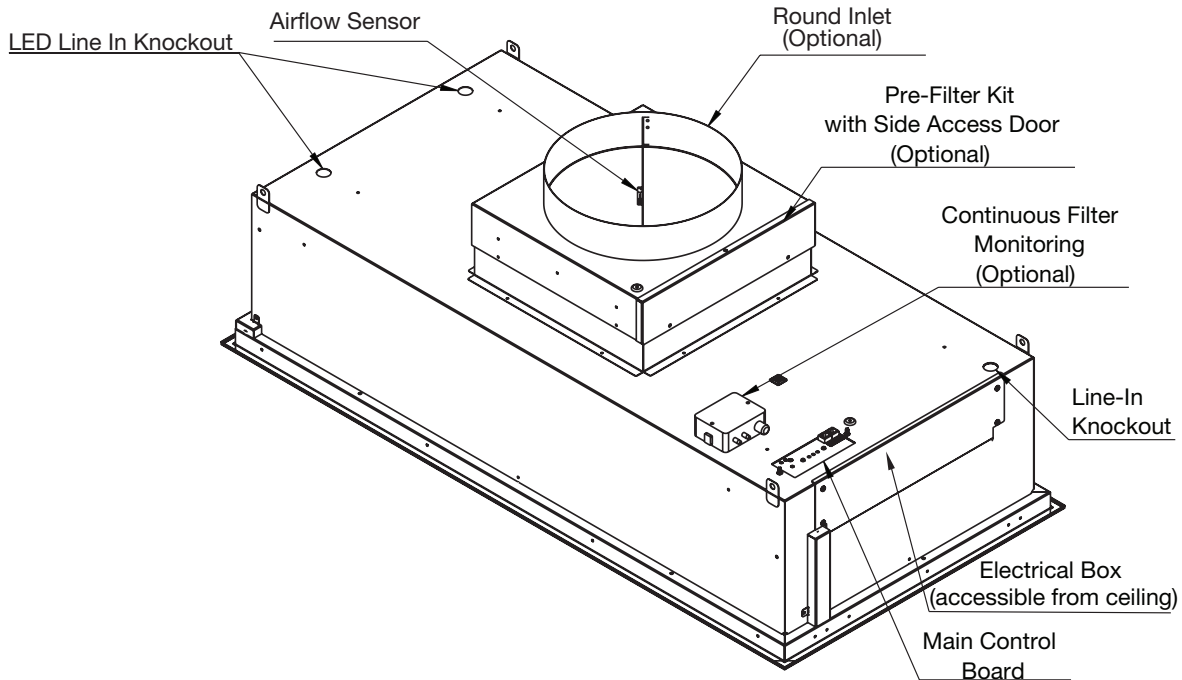
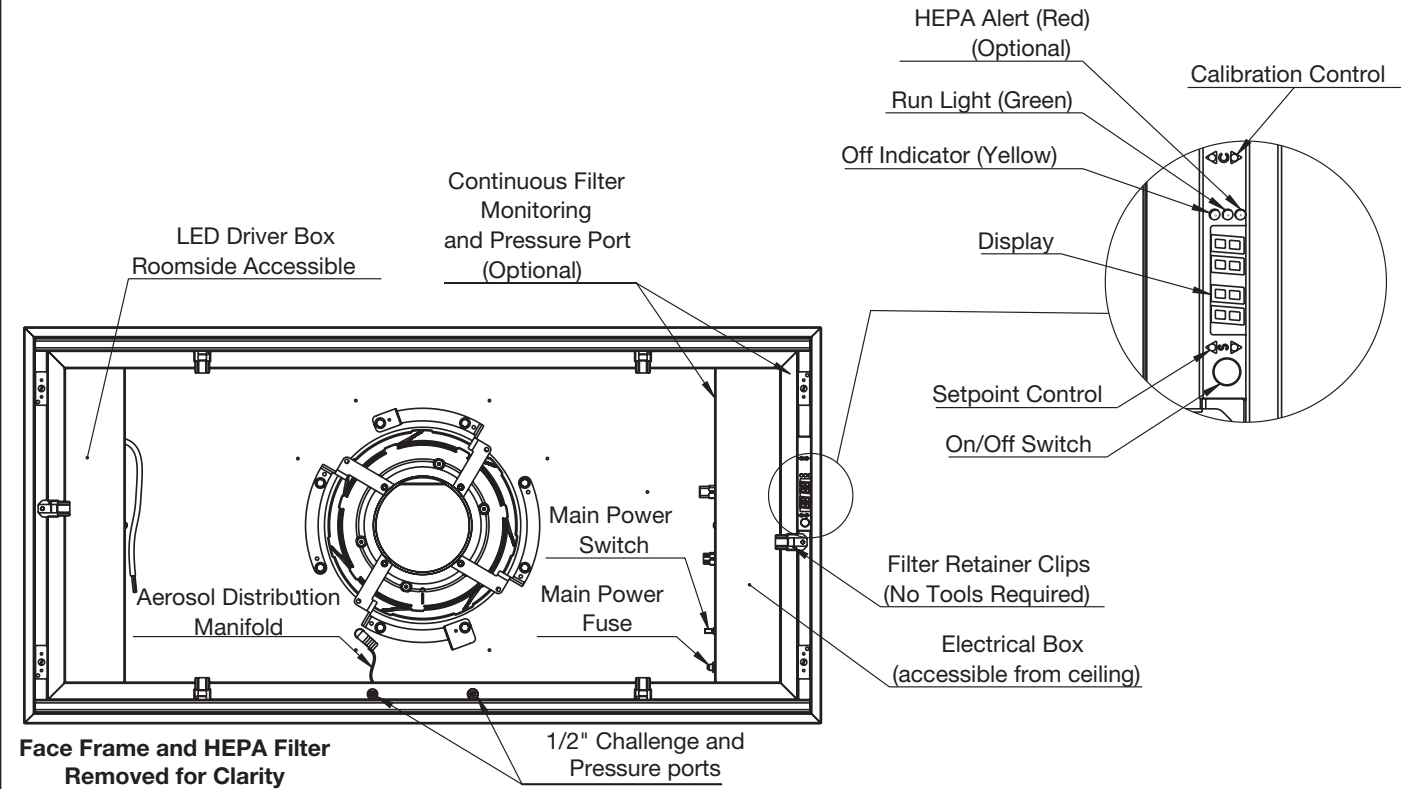
Model: HLC-FPS-STD-LED
Fan Filter Supply Diffuser with Integral LED Lighting- Roomside Replaceable Filter



Model: HLC-FPS-STD-LED
Fan Filter Supply Diffuser with Integral LED Lighting- Roomside Replaceable Filter

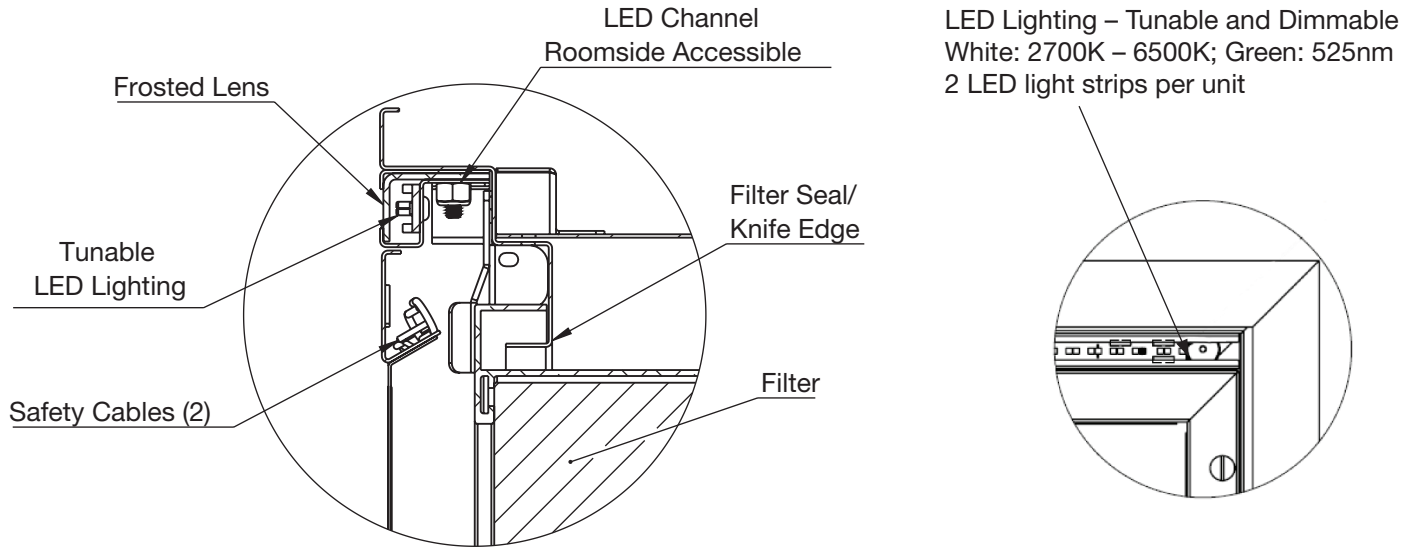


Model: HLC-FPS-STD-LED
Fan Filter Supply Diffuser with Integral LED Lighting- Roomside Replaceable Filter



Model: HLC-FPS-STD-LED
Fan Filter Supply Diffuser with Integral LED Lighting- Roomside Replaceable Filter

LED Lighting Details

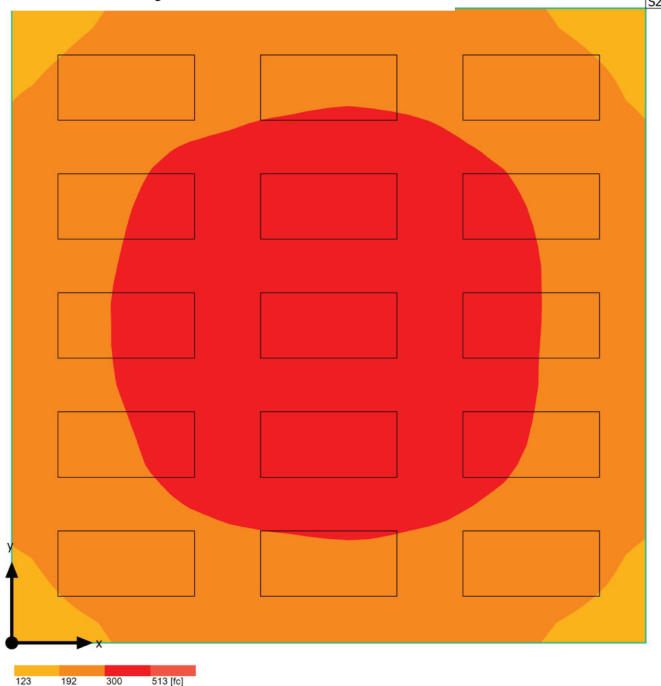


LED Lighting Illumination Example

48 x 24 SSLF-LED Example Lighting

Building 1 · Storey 1 · Room 1 (Light scene 4 (Room 1))

Calculation objects



Room Parameters:

18 Ft SQ - 10 Ft. Ceiling Height
3 Ft. Working Plane
Example Layout with 48 x 24 LED Diffusers
Lighting will vary depending on actual room conditions
Does not account for any additional lighting in the room

Work planes

Properties	\bar{E} (Target)	E_{min}	E_{max}	g_1	g_2	Index
Workplane (Room 1) Perpendicular illuminance (adaptive) Height: 3.000 ft, Wall zone: 0.000 ft	277 fc (≥ 92.9 fc)	151 fc	351 fc	0.55	0.43	□
	✓					