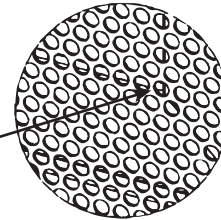
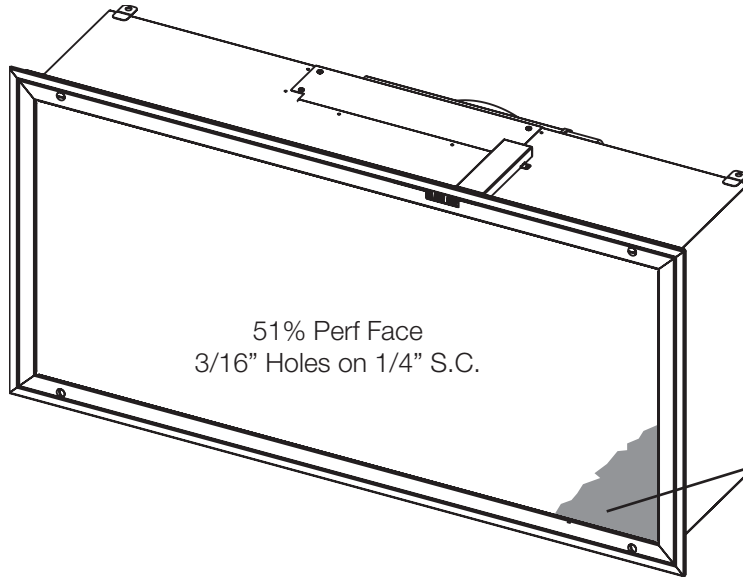
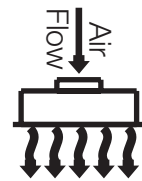


Model: HLC-FPS-STD Fan Filter Supply Diffuser - Roomside Replaceable Filter



51% Perf Detail



**Construction**

Plenum Material

- 304 Stainless Steel
- 316 Stainless Steel

Face Material

- Aluminum
- 304 Stainless Steel
- 316 Stainless Steel

Inlet Options

- No Inlet with Pre-filter
- \_\_\_\_\_ Round Inlet (6, 8, 10, 12, 14)
  - No Pre-filter
  - Pre-filter Kit

Filter Type

- HEPA Filter (2 in pack)
- High Flow HEPA Filter (4 in pack)
- ULPA Filter

**Electronic Options**

Motor Voltage

- 120VAC - 2.8 FLA
- 208VAC - 2.6 FLA
- 240VAC - 2.3 FLA
- 277VAC - 1.9 FLA

Face Control & Display (Standard)

- MODBUS RTU Controller
- BACnet Controller

Airflow Sensor (Standard)

On/Off Indicator: Yellow LED (Standard)

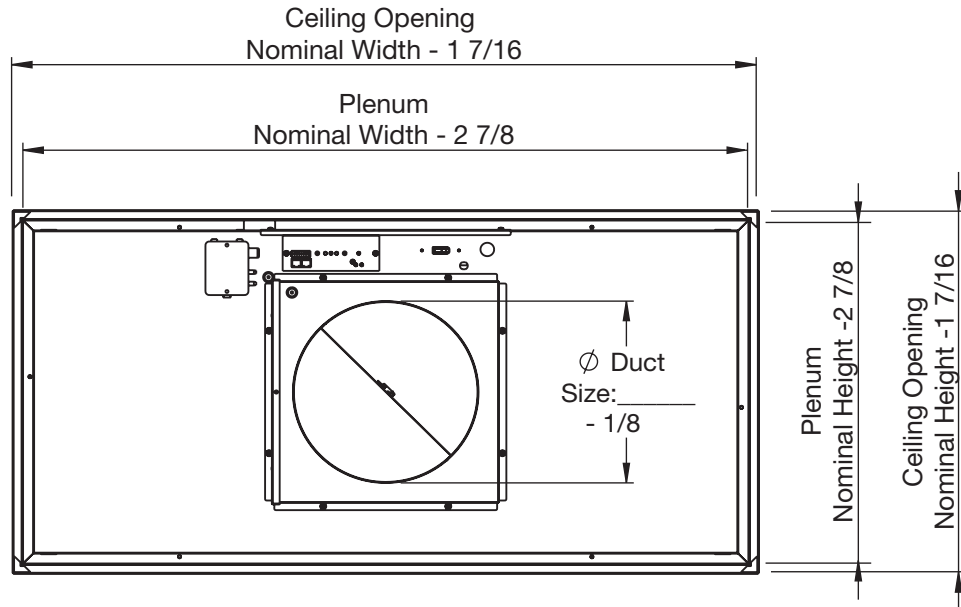
Airflow Indicator: Green LED (Standard)

- Filter Indicator: Red LED
- Continuous Filter Monitoring

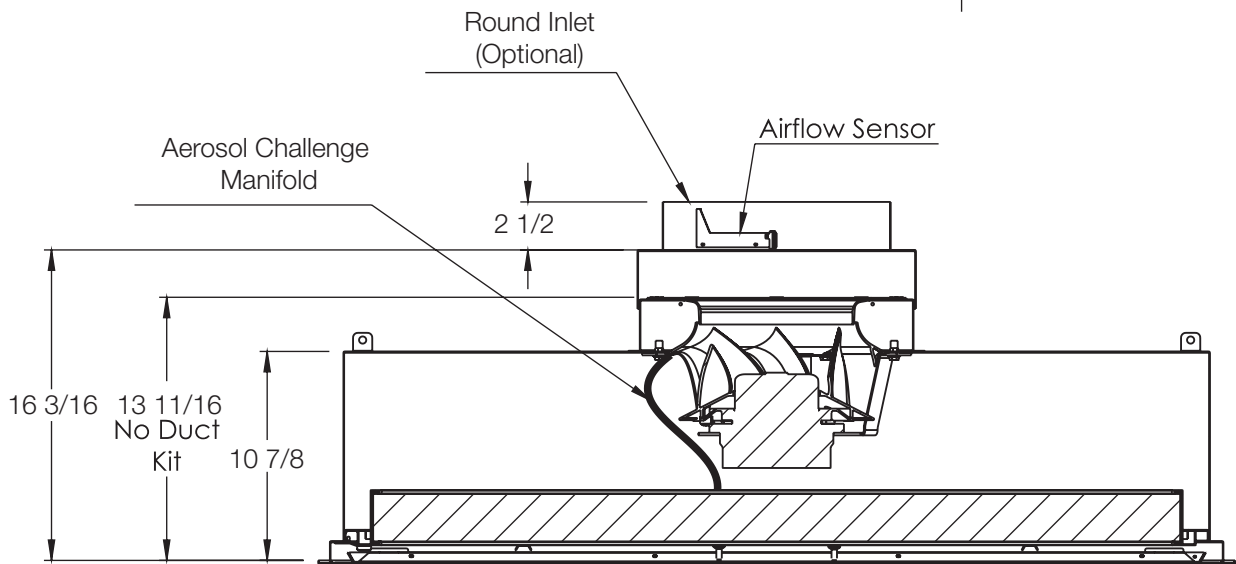
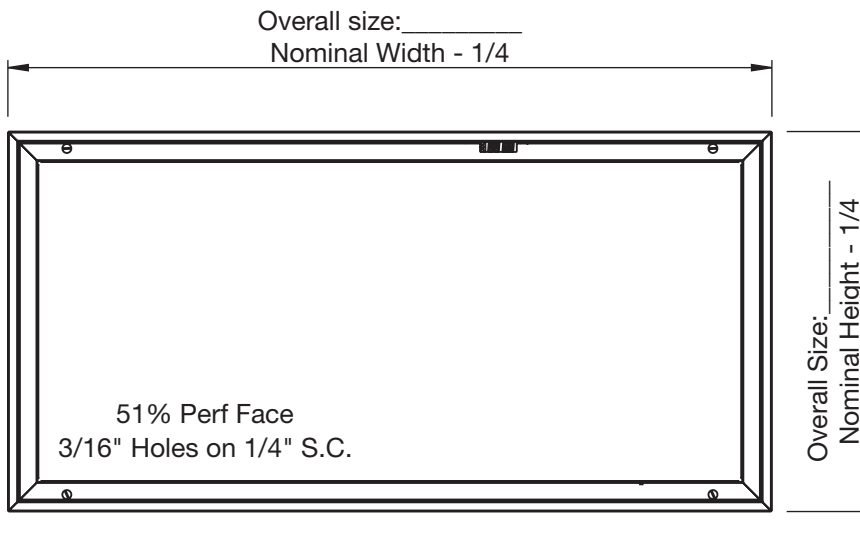
All Dimensions ±1/16"

1. Available Finishes	2. Available Accessories	3. Available Options	4. Construction Details
01 White 01 SS White 23 Satin Polish	Basic Wall Controller (one per unit) MODBUS RTU to BACnet Gateway T-Bar Plaster Frame	Round Ducted Inlet w/o Pre-filter Round Ducted Inlet w/ Pre-Filter HEPA or ULPA Filters External 1-1/2" Foil Faced Insulation OSP Approved Seismic Brackets	<ul style="list-style-type: none"> <li>• Fully Welded Knife Edge Frame</li> <li>• Roomside Replaceable Filter</li> <li>• Field Configurable Motor Operation - Constant flow or constant speed</li> <li>• Aerosol Distribution Manifold</li> <li>• Static Pressure &amp; Aerosol Challenge test port</li> <li>• Factory IEST Leakage testing available</li> </ul>

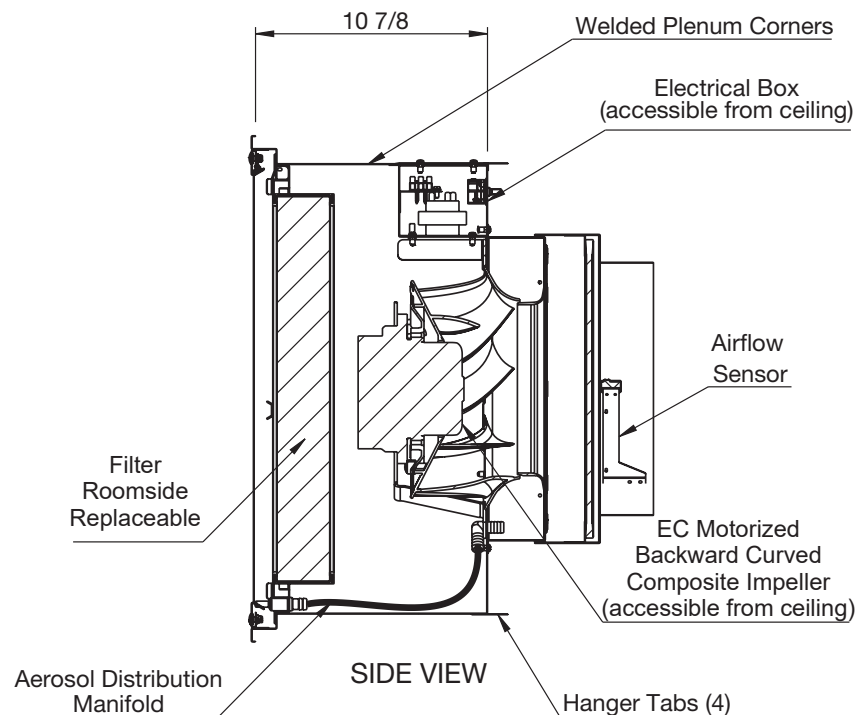
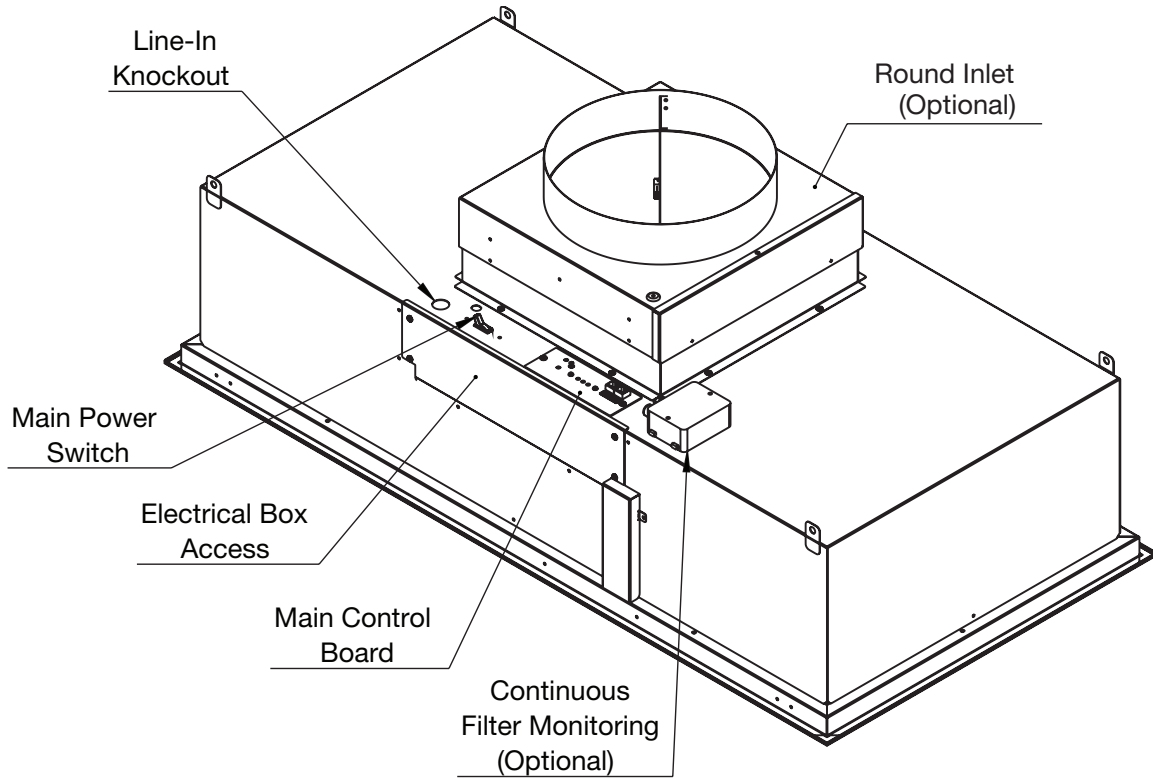
Model: HLC-FPS-STD Fan Filter Supply Diffuser - Roomside Replaceable Filter



Available Sizes
24 x 24
36 x 24
48 x 24



Model: HLC-FPS-STD Fan Filter Supply Diffuser - Roomside Replaceable Filter



Model: HLC-FPS-STD Fan Filter Supply Diffuser - Roomside Replaceable Filter

