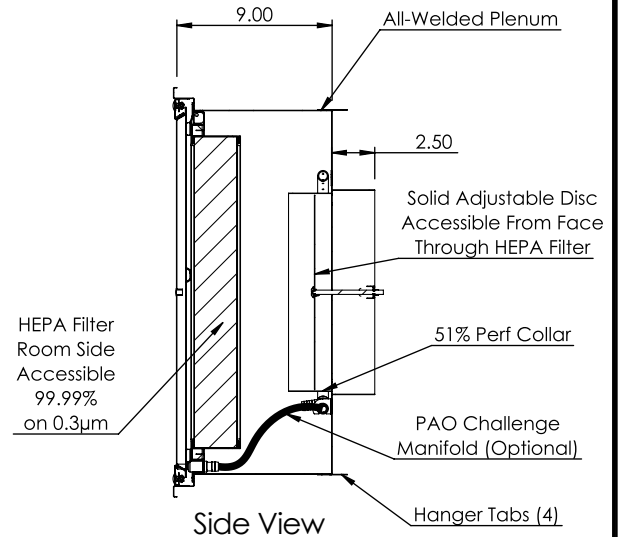
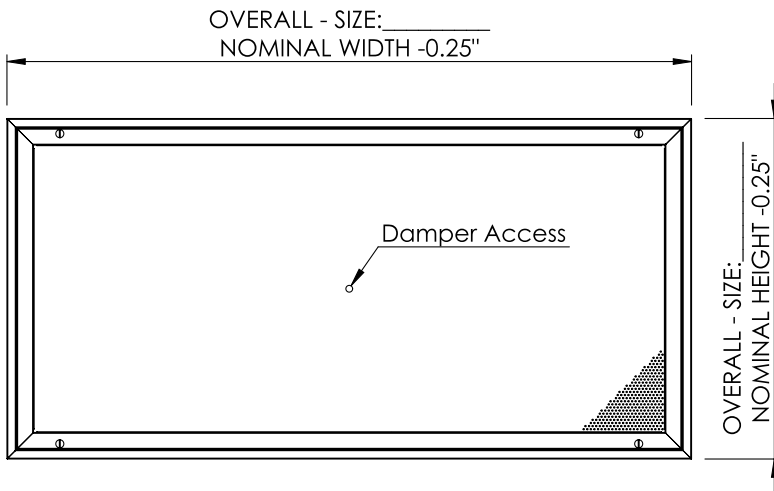
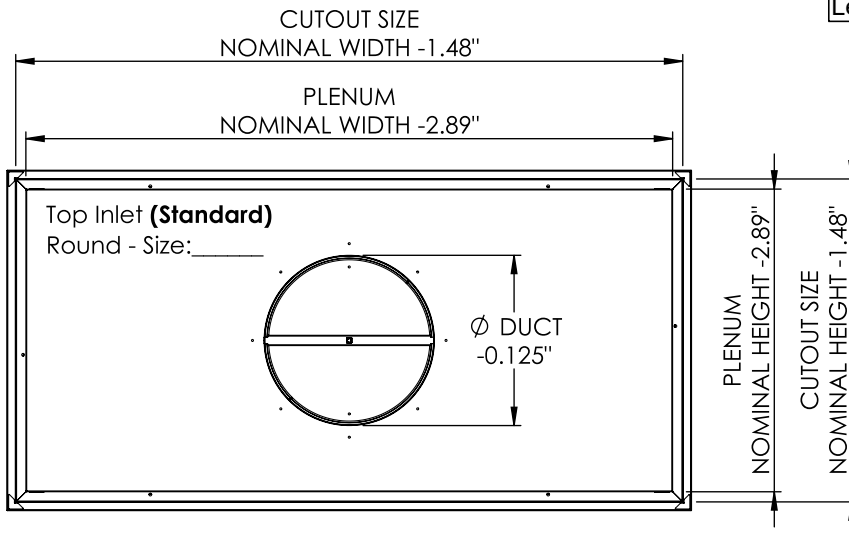


Model: HLC-GSL-SS Laminar Flow HEPA Diffuser – Stainless Steel Face and Backpan
 HLC-GSL-AL Laminar Flow HEPA Diffuser – Aluminum Face and Stainless Steel Backpan

Available Sizes						
Widths	12	24	36	-	-	-
Lengths	-	24	36	48	60	72

Available Round Neck Sizes					
Neck	6	8	10	12	14



1. Available Finishes	2. Available Accessories	3. Available Options	4. Construction Details
01 White 01 SS White 24 Mill Finish 23 Satin Polish	COBD - Cable Operated Damper TBPF - T-Bar Plaster Frame	TP - Test Port ADM - Aerosol Distribution Manifold HAK - HEPA Alert Kit EI - External 1/2" Insulation	<ul style="list-style-type: none"> Fully welded seams and frame 304SS, 316SS, and Aluminum Classified as ASHRAE Group E Non-Aspirating Diffuser, Compliant with ASHRAE 170 Requirements Roomside Replaceable HEPA Filter Factory IEST Leakage testing available Perforated Panel Free Areas: 16%, 23% and 51% Available Gel seal HEPA Filter available separately

All Dimensions ±1/16"

Model: HLC-GSL Laminar Flow HEPA Diffuser Details

