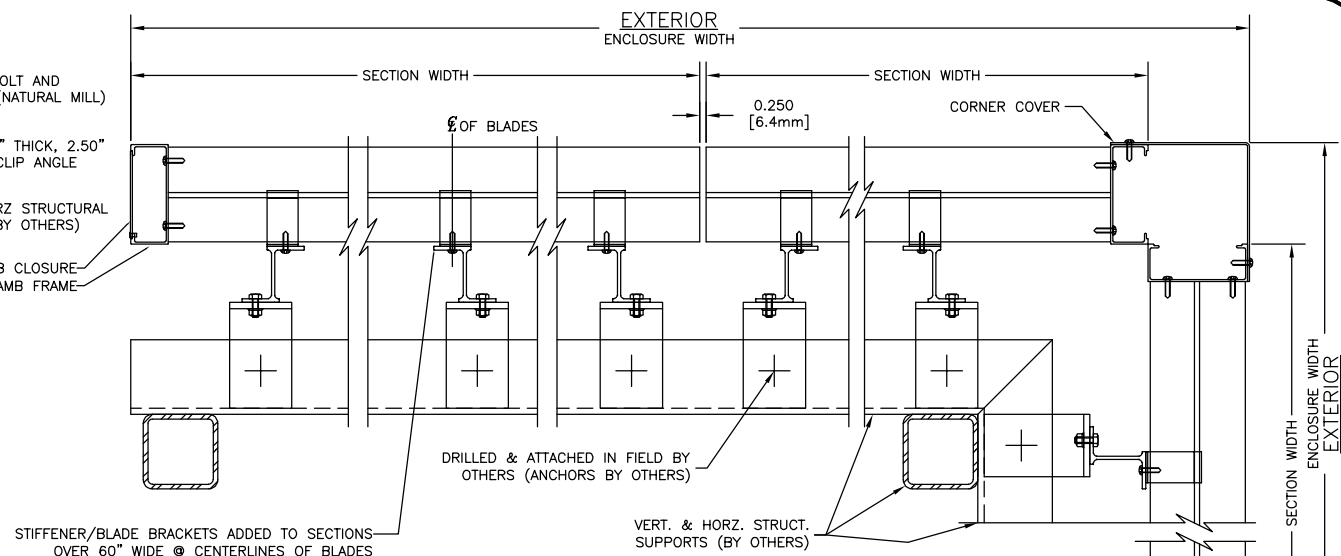
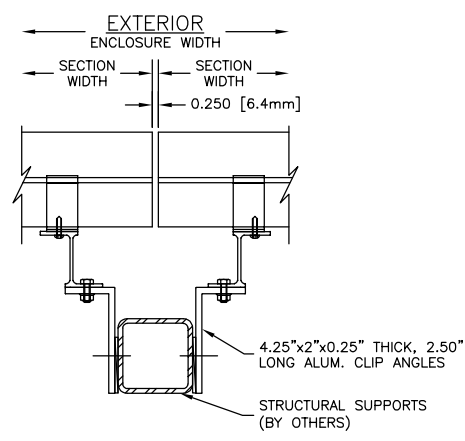


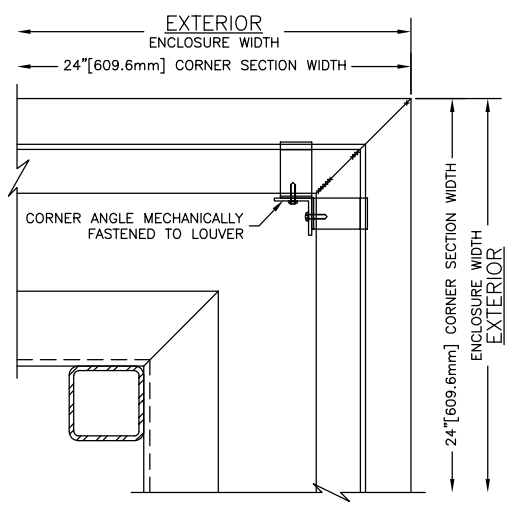
APPROVER NOTE:
APPROVER TO INDICATE SIZES AND SPACING
OF ALL VERTICAL & HORIZONTAL SUPPORTS.



HORIZONTAL SECTION WITH
OPTIONAL BOXED CORNER



ALTERNATE VERTICAL
MULLION AT SUPPORT



OPTIONAL MITERED CORNER

 AIROLITE The look that works.™	MODEL: SCB601
	SHEET: 1 OF 1