

Features and Standard Specifications

SRX Series

Electric Spring Return Actuators

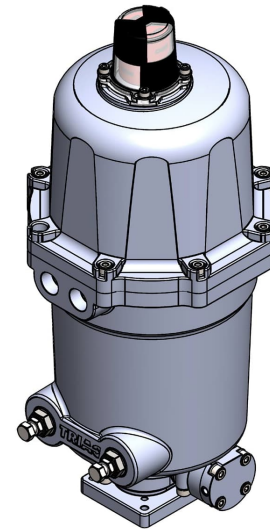


Standard Specifications

Enclosure:	Explosion Proof, Class I, Division 1, Groups C & D, T4 Design Weatherproof, Type 4, 4x	
Power Supply:	24 VDC (SRX-0600 only), 120/220 VAC 1PH, 50/60 Hz	
Motor	24VDC	24V 100W 5A (SRX-0600 only)
	110VAC	110V 50/60 Hz 30W 0.5A
	220VAC	220V 50/60 Hz 30W 0.33A
Limit Switches	24VDC	15A 1/2HP @125/250VAC (SRX-0600 only)
	110VAC	11A 11/3HP @125/250/277VAC 1/2A 125VDC, 1 1/4A 250VDC
	220VAC	11A 11/3HP @125/250/277VAC 1/2A 125VDC, 1 1/4A 250VDC
Stall Protection:	Built in thermal protection, Open at 130±5°C, Close at 85±15°C	
Travel Angle:	0 to 90° ± 10°	
Indicator:	Continuous position indicator	
Space Heater:	10W 2.5A Anti-Condensation	
Cable Conduit:	Two 3/4" NPT (SRX-0300 has One 3/4" NPT)	
Lubrication:	Grease Synthetic	
Terminal Block:	Spring loaded lever push type	
Materials:	Carbon Steel, Alloy Steel, Spring Steel, Stainless Steel, Aluminum Alloy, NBR, ABS and Polycarbonate Plastic	
Ambient Temperature:	-40°F to 140°F (-40°C to 60°C)	
External Coating:	Powder Coating	

SRX-0600 Standard Specifications

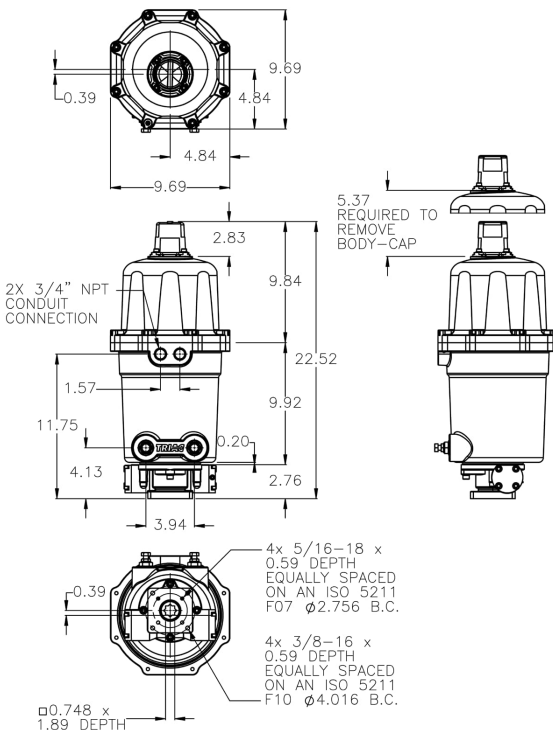
Power Supply:	24 VDC, 120/220 VAC 1PH, 50/60 Hz
Motor:	
24VDC:	24V 100W
110VAC:	110V 50/60 Hz 30W
220VAC:	220V 50/60 Hz 30W
Limit Switches:	Two (2) Included
24VDC:	15A 1/2HP @125/250VAC
110VAC:	11A 1/3HP @125/250/277VAC 1/2A 125VDC, 1 1/4A 250 VDC
220VAC:	11A 1/3HP @125/250/277VAC 1/2A 125VDC, 1 1/4A 250 VDC
Stall Protection:	Built in thermal protection
Travel Angle:	0 to 90° ± 10°
Indicator:	Continuous position indicator
Space Heater:	10W Anti-Condensation
Cable Conduit:	Two 3/4" NPT
Lubrication:	Grease synthetic
Terminal Block:	Spring loaded lever push type
Materials:	Carbon steel, alloy steel, spring steel, stainless steel, aluminum alloy, NBR, ABS and polycarbonate plastic
Ambient Temp.	-40°C (-40°F) to 60°C (140°F)
External Coating:	Powder coating



Spring End Torque	90° Cycle Time ¹	Spring Fail Time ¹	Motor Size		Full Load Amps			Duty Cycle	Weight	
			Watts	DC	AC	DC	110V		220V	Standard
In-Lbs	Seconds	Seconds	DC	AC	24V	110V	220V	%	Lbs.	Lbs.
600	30	2	100	30	6.0	1.0	0.5	50	62	102

¹ Cycle and Spring Fail Times are under no load conditions.

Standard:



Additional Standard Features:

- Enclosure: Explosion Proof, Class 1, Division 1, Groups C&D, T4 Design
Weatherproof, Type 4, 4X
- Motor Brake
- TMC4 modulating card (Modulating actuators only)
-Includes 4-20mA feedback*
*See actuator IOM for further Modulating information