

# Features and Standard Specifications

## SRX Series

### Electric Spring Return Actuators



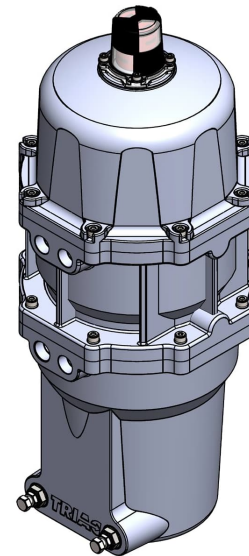
### Standard Specifications

<b>Enclosure:</b>	Explosion Proof, Class I, Division 1, Groups C & D, T4 Design Weatherproof, Type 4, 4x	
<b>Power Supply:</b>	24 VDC (SRX-0600 only), 120/220 VAC 1PH, 50/60 Hz	
<b>Motor</b>	<b>24VDC</b>	24V 100W 5A (SRX-0600 only)
	<b>110VAC</b>	110V 50/60 Hz 30W 0.5A
	<b>220VAC</b>	220V 50/60 Hz 30W 0.33A
<b>Limit Switches</b>	<b>24VDC</b>	15A 1/2HP @125/250VAC (SRX-0600 only)
	<b>110VAC</b>	11A 11/3HP @125/250/277VAC 1/2A 125VDC, 1 1/4A 250VDC
	<b>220VAC</b>	11A 11/3HP @125/250/277VAC 1/2A 125VDC, 1 1/4A 250VDC
<b>Stall Protection:</b>	Built in thermal protection, Open at 130±5°C, Close at 85±15°C	
<b>Travel Angle:</b>	0 to 90° ± 10°	
<b>Indicator:</b>	Continuous position indicator	
<b>Space Heater:</b>	10W 2.5A Anti-Condensation	
<b>Cable Conduit:</b>	Two 3/4" NPT (SRX-0300 has One 3/4" NPT)	
<b>Lubrication:</b>	Grease Synthetic	
<b>Terminal Block:</b>	Spring loaded lever push type	
<b>Materials:</b>	Carbon Steel, Alloy Steel, Spring Steel, Stainless Steel, Aluminum Alloy, NBR, ABS and Polycarbonate Plastic	
<b>Ambient Temperature:</b>	-40°F to 140°F (-40°C to 60°C)	
<b>External Coating:</b>	Powder Coating	

# SRX-1800

## SRX-1800 Standard Specifications

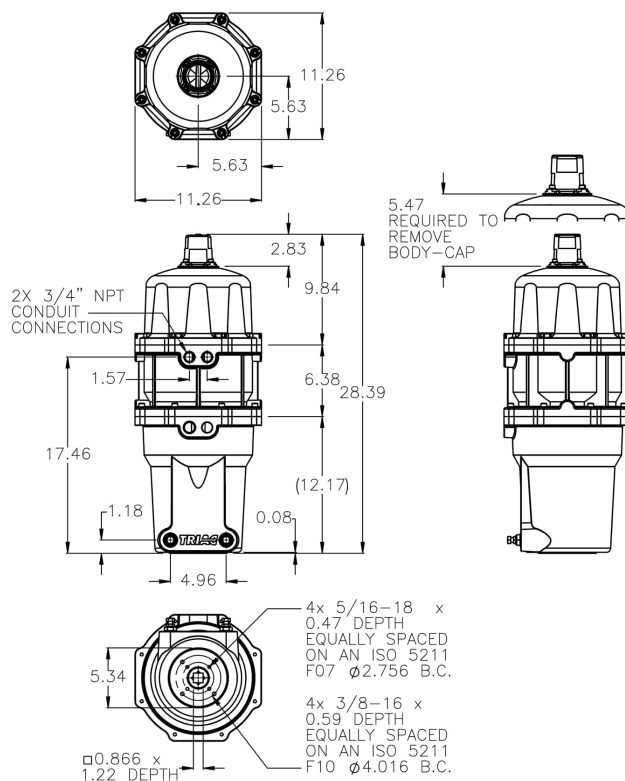
<b>Power Supply:</b>	120/220 VAC 1PH, 50/60 Hz
<b>Motor:</b>	
<b>110VAC:</b>	110V 50/60 Hz 30W
<b>220VAC:</b>	220V 50/60 Hz 30W
<b>Limit Switches:</b>	Two (2) Included
<b>110VAC:</b>	11A 1/3HP @125/250/277VAC 1/2A 125VDC, 1 1/4A 250 VDC
<b>220VAC:</b>	11A 1/3HP @125/250/277VAC 1/2A 125VDC, 1 1/4A 250 VDC
<b>Stall Protection:</b>	Built in thermal protection
<b>Travel Angle:</b>	0 to 90° ± 10°
<b>Indicator:</b>	Continuous position indicator
<b>Space Heater:</b>	10W Anti-Condensation
<b>Cable Conduit:</b>	Two 3/4" NPT
<b>Lubrication:</b>	Grease synthetic
<b>Terminal Block:</b>	Spring loaded lever push type
<b>Materials:</b>	Carbon steel, alloy steel, spring steel, stainless steel, aluminum alloy, NBR, ABS and polycarbonate plastic
<b>Ambient Temp.</b>	-40°C (-40°F) to 60°C (140°F)
<b>External Coating:</b>	Powder coating



Spring End Torque	90° Cycle Time <sup>1</sup>	Spring Fail Time <sup>1</sup>	Motor Size		Full Load Amps			Duty Cycle	Weight	
			Watts	DC	AC		Standard		w/ Manual Override (Optional)	
In-Lbs	Seconds	Seconds	DC	AC	24V	110V	220V	%	Lbs.	Lbs.
1800	30	7	N/A	30	N/A	1.0	0.5	50	120	160

<sup>1</sup> Cycle and Spring Fail Times are under no load conditions.

## Standard:



## Additional Standard Features:

- Enclosure: Explosion Proof, Class 1, Division 1, Groups C&D, T4 Design
- Weatherproof, Type 4, 4X
- Motor Brake
- TMC4 modulating card (Modulating actuators only)
- Includes 4-20mA feedback\*
- \*See actuator IOM for further Modulating information