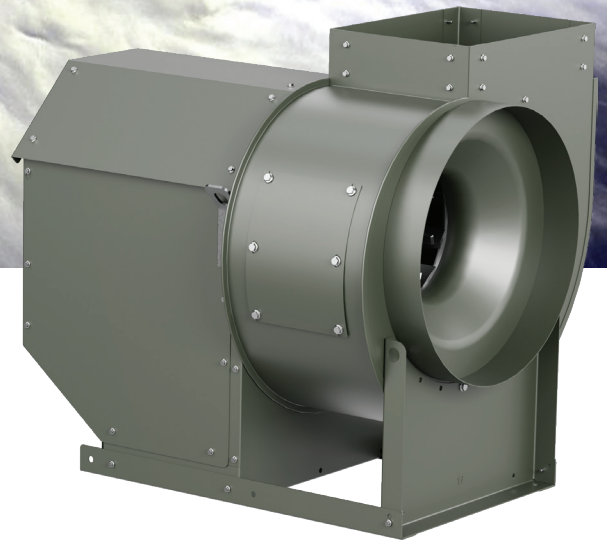


# Model USF

CENTRIFUGAL UTILITY SET



## Direct Drive USF with NOA

- Direct Drive sizes 04 – 24, Steel Construction
- All rotations and exhaust discharges
- NEMA-3R enclosure
- ABB VFD up to 30 hp
- HOA and mounted disconnect
- Factory Programmed Controls - Ship Loose (NOA)
- 100 psf (197 mph) with various mounting options

A centrifugal utility set or blower can be utilized in a variety of indoor or outdoor, supply or exhaust applications. These can be used for **commercial light to medium-duty general ventilation** requirements to those requiring **high airflows, manufacturing process, emergency, continuous high-temperature, or grease-laden exhaust**. Units have many discharge configurations that allow for different airflow directions without system losses from duct turns. They are fabricated of steel with a wide range of corrosion-resistant coatings. Housing designs offered are either lock-seam or fully-welded construction. Choice of forward curved, backward inclined, or higher efficiency airfoil centrifugal wheels are available as standard.



[LEARN MORE](#)

## APPLICATIONS

Custom Air Handlers | Furnaces | General Supply, Return or Exhaust Systems | Libraries  
Office Buildings | Restaurants | Spark-Resistant Fume Exhaust | Stairwell Pressurization

[greenheck.com](https://www.greenheck.com)

P.O. Box 410 | Schofield, WI 54476 | 715-359-6171 May 2023 © 2023 Greenheck Fan Corp.

 **GREENHECK**  
Building Value in Air.