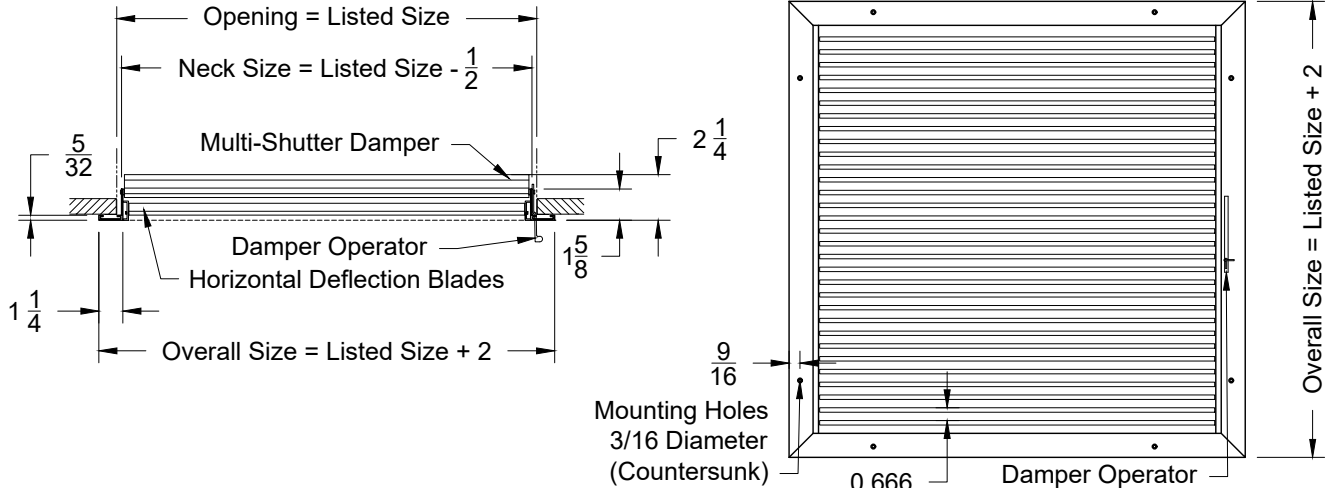


Model: XG-H4002M-1 Horizontal Blades with Multi-Shutter Damper - Flush Surface Mount
 XG-H4002M-6 Horizontal Blades with Multi-Shutter Damper - T-Bar Lay In

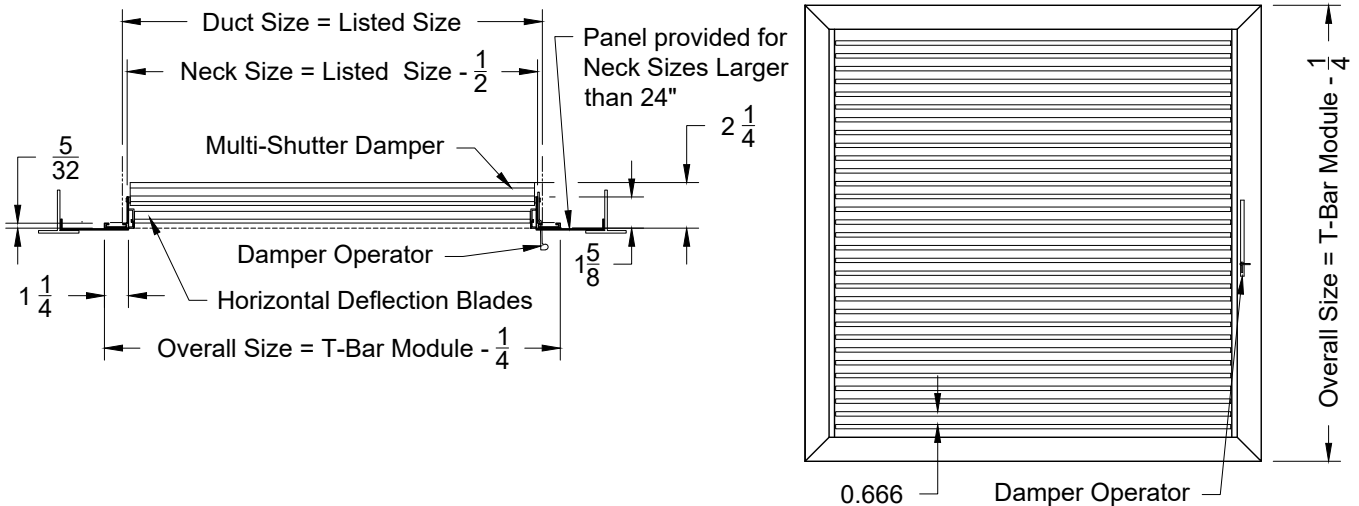
XG-H4002M-1 - Flush Surface Mount

Face View



XG-H4002M-6 - T-Bar Lay-In

Face View

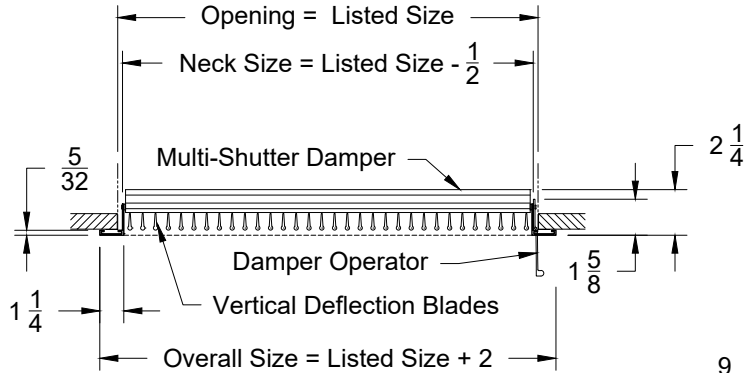


Note: This product complies with NFPA 90A-18 standard 4.3.7.3.2 and 4.3.8.3.2 and is constructed with openings through which a 1/2" sphere can not pass.

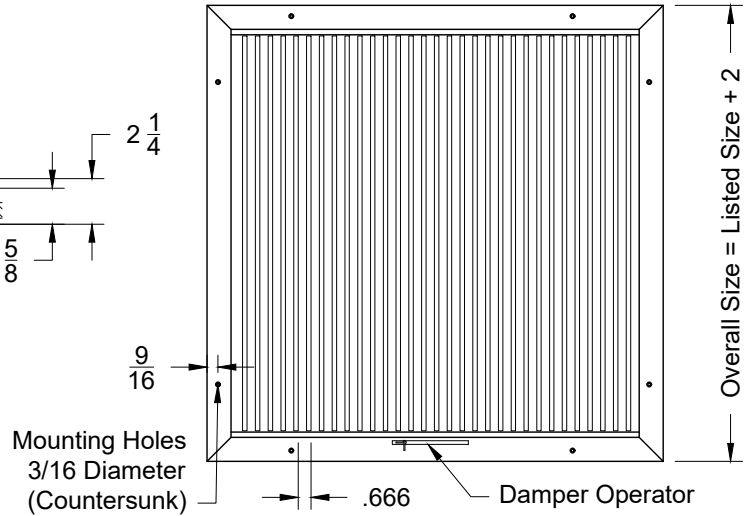
1. Available Finishes	2. Available Accessories	3. Available Options	4. Construction Details
Standard Finish: 01 White Finish 24 Mill Finish Optional Finish 02 Satin Silver 03 Black 28 Custom Color	XG-PF - Plaster Frame XG-TBPF - T-Bar Plaster Frame	NSH - No Screw Holes	<ul style="list-style-type: none"> Aluminum Construction Largest Neck Size 16x16
All Dimensions $\pm 1/16"$			

Model: XG-V4002M-1 Vertical Blades with Multi-Shutter Damper - Flush Surface Mount
 XG-V4002M-6 Vertical Blades with Multi-Shutter Damper - T-Bar Lay In

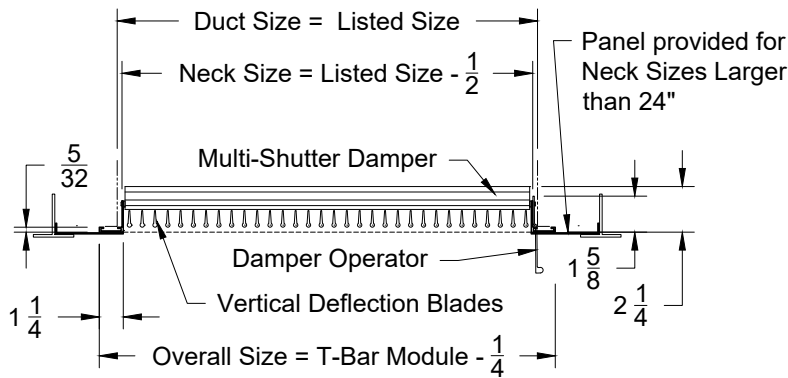
XG-V4002M-1 - Flush Surface Mount



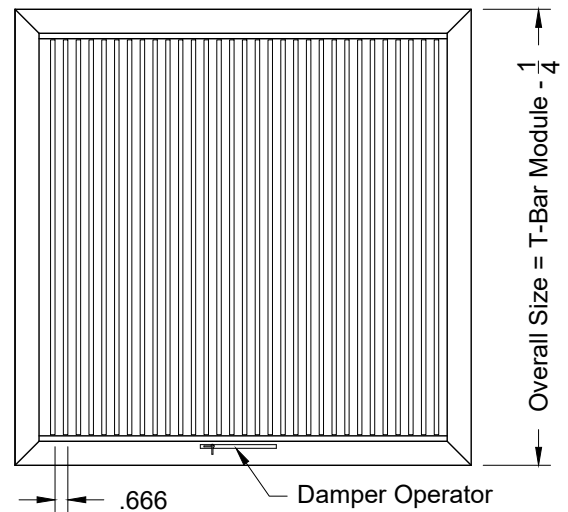
Face View



XG-V4002M-6 - T-Bar Lay In



Face View



Note: This product complies with NFPA 90A-18 standard 4.3.7.3.2 and 4.3.8.3.2 and is constructed with openings through which a 1/2" sphere can not pass.

1. Available Finishes	2. Available Accessories	3. Available Options	4. Construction Details
Standard Finish: 01 White Finish 24 Mill Finish Optional Finish 02 Satin Silver 03 Black 28 Custom Color	XG-PF - Plaster Frame XG-TBPF - T-Bar Plaster Frame	NSH - No Screw Holes	<ul style="list-style-type: none"> Aluminum Construction Largest Neck Size 24x24
All Dimensions ±1/16"			