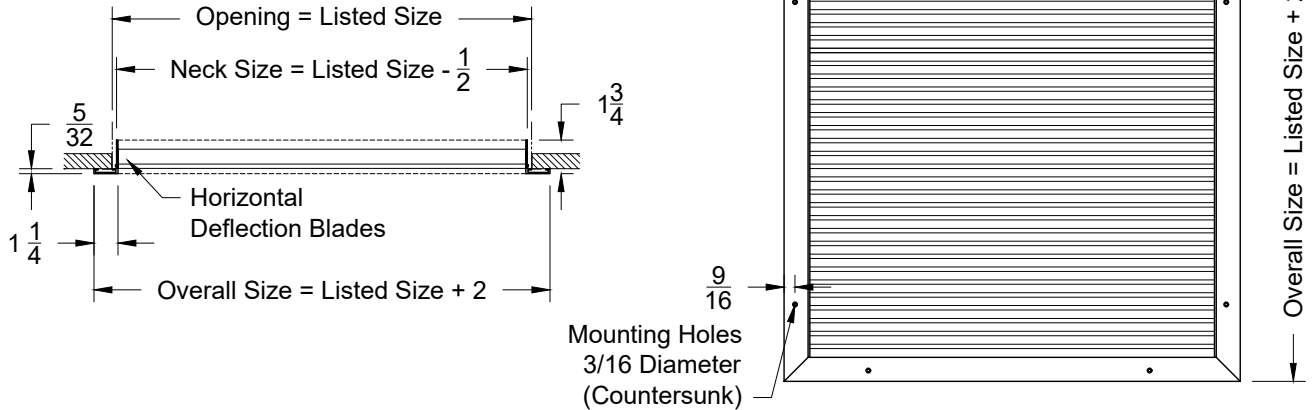


Model: XG-H4002-1 Horizontal Blades - Flush Surface Mount
 XG-H4002-6 Horizontal Blades - T-Bar Lay-In

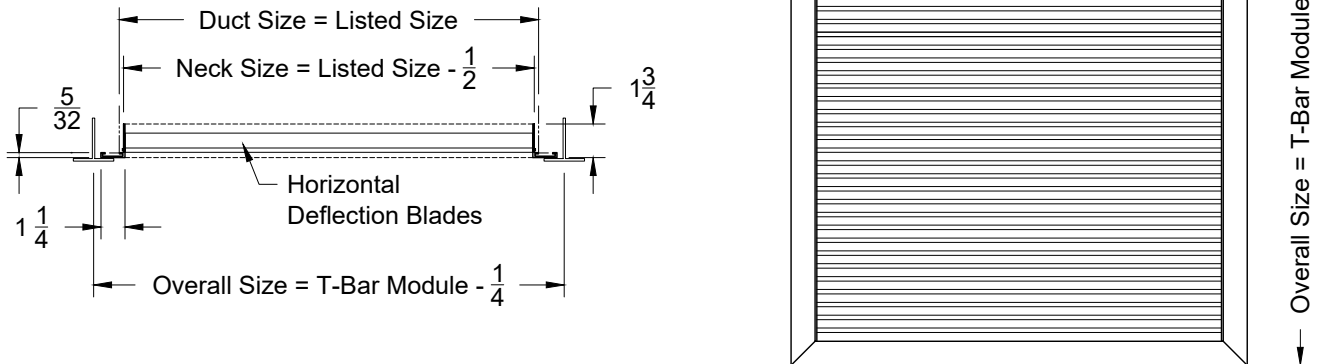
XG-H4002-1 - Flush Surface Mount

Face View



XG-H4002-6 - T-Bar Lay-In

Face View



Note: This product complies with NFPA 90A-18 standard 4.3.7.3.2 and 4.3.8.3.2 and is constructed with openings through which a 1/2" sphere can not pass.

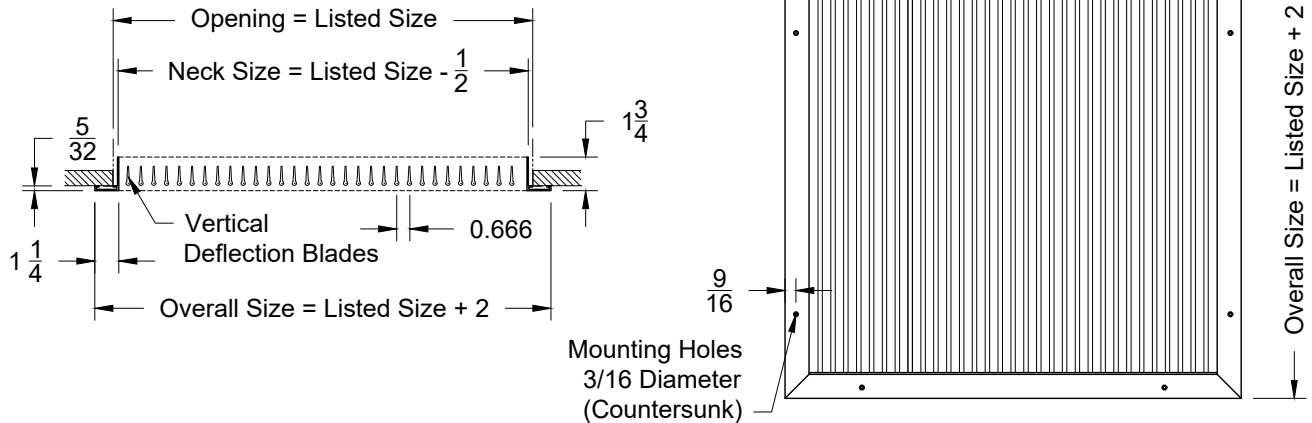
1. Available Finishes	2. Available Accessories	3. Available Options	4. Construction Details
Standard Finish: 01 White Finish 24 Mill Finish Optional Finish 02 Satin Silver 03 Black 28 Custom Color	XG-OBDA - Steel Opposed Blade Damper XG-OBDA - Aluminum OBD XG-L9 - Equalizing Grid (Square / Rect) XG-G3 - Equalizing Grid (Round) XG-PF - Plaster Frame XG-TBPF - T-Bar Plaster Frame XG-LIPF - Lay-In Plaster Frame XG-TR - Square to Round Transition XG-TR-Deep - Deep Transition	MRI - MRI Construction IS - Insect Screen NSH - No Screw Holes CM - Concealed Mount	<ul style="list-style-type: none"> Aluminum Construction Oversized Units made in multiple sections, each with full flanges. Mullion strips provided for joining units in field Odd/Fractional size available for additional charge

All Dimensions $\pm 1/16"$

Model: XG-V4002-1 Vertical Blades - Flush Service Mount
XG-V4002-6 Vertical Blades - T-Bar Lay In

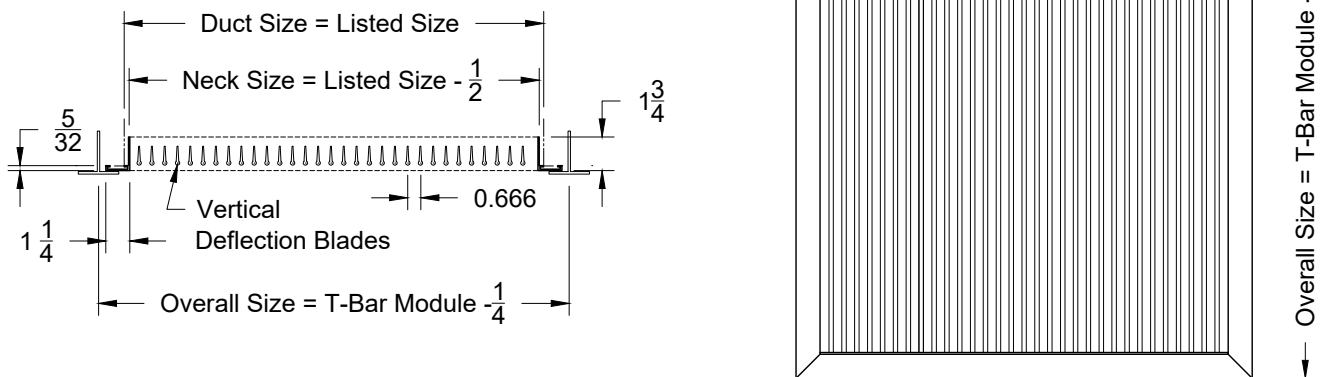
XG-V4002-1 - Flush Surface Mount

Face View



XG-V4002-6 - T-Bar Lay In

Face View



Note: This product complies with NFPA 90A-18 standard 4.3.7.3.2 and 4.3.8.3.2 and is constructed with openings through which a 1/2" sphere can not pass.

1. Available Finishes	2. Available Accessories	3. Available Options	4. Construction Details
Standard Finish: 01 White Finish 24 Mill Finish Optional Finish 02 Satin Silver 03 Black 28 Custom Color	XG-OBD - Steel Opposed Blade Damper XG-OBDA - Aluminum OBD XG-L9 - Equalizing Grid (Square / Rect) XG-G3 - Equalizing Grid (Round) XG-PF - Plaster Frame XG-TBPF - T-Bar Plaster Frame XG-LIPF - Lay-In Plaster Frame XG-TR - Square to Round Transition XG-TR-Deep - Deep Transition	MRI - MRI Construction IS - Insect Screen NSH - No Screw Holes CM - Concealed Mount	<ul style="list-style-type: none"> Aluminum Construction Oversized Units made in multiple sections, each with full flanges. Mullion strips provided for joining units in field Odd/Fractional size available for additional charge
All Dimensions $\pm 1/16"$			