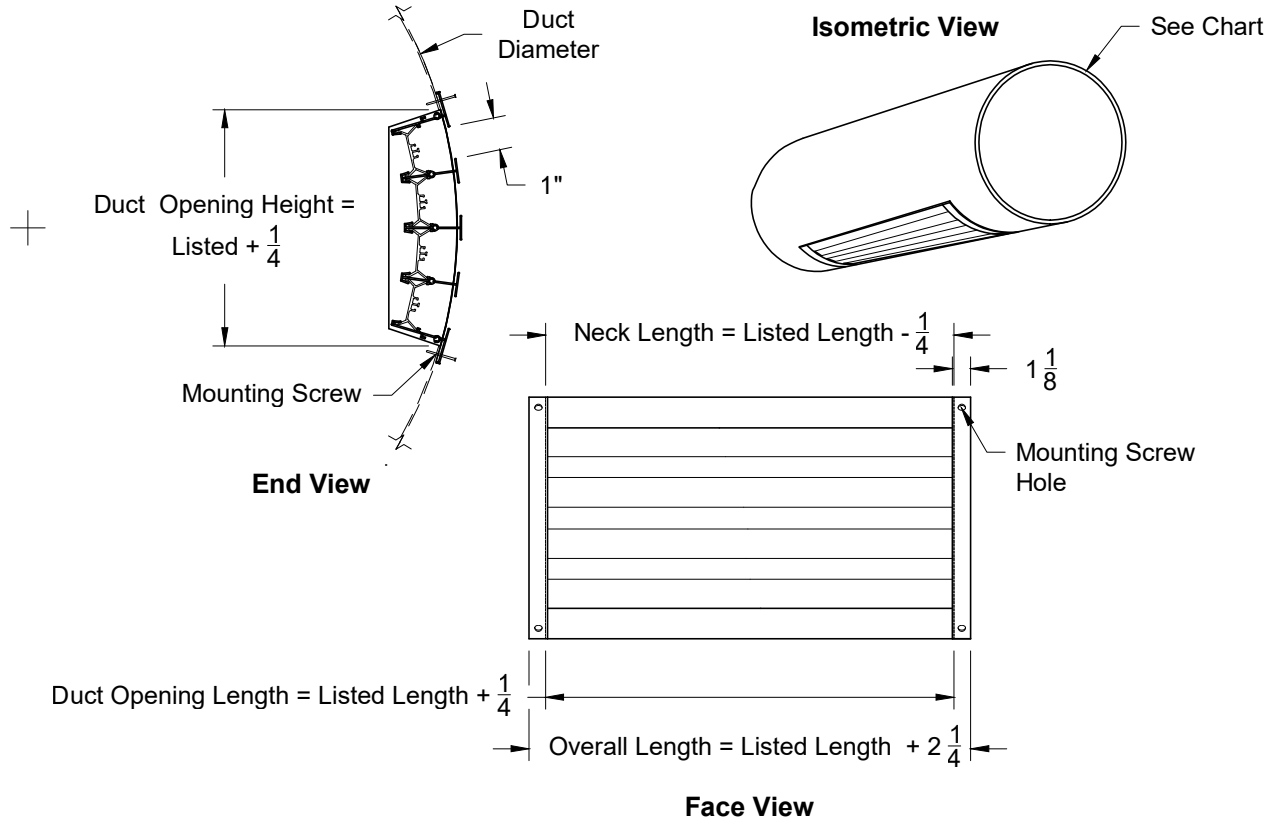


Model: XG-6610 RSP-11-1 Linear Slot Diffuser - 1" Slot Width - Flush Surface Mount - Return

XG-6610 RSP-11-1 - Flush Surface Mount

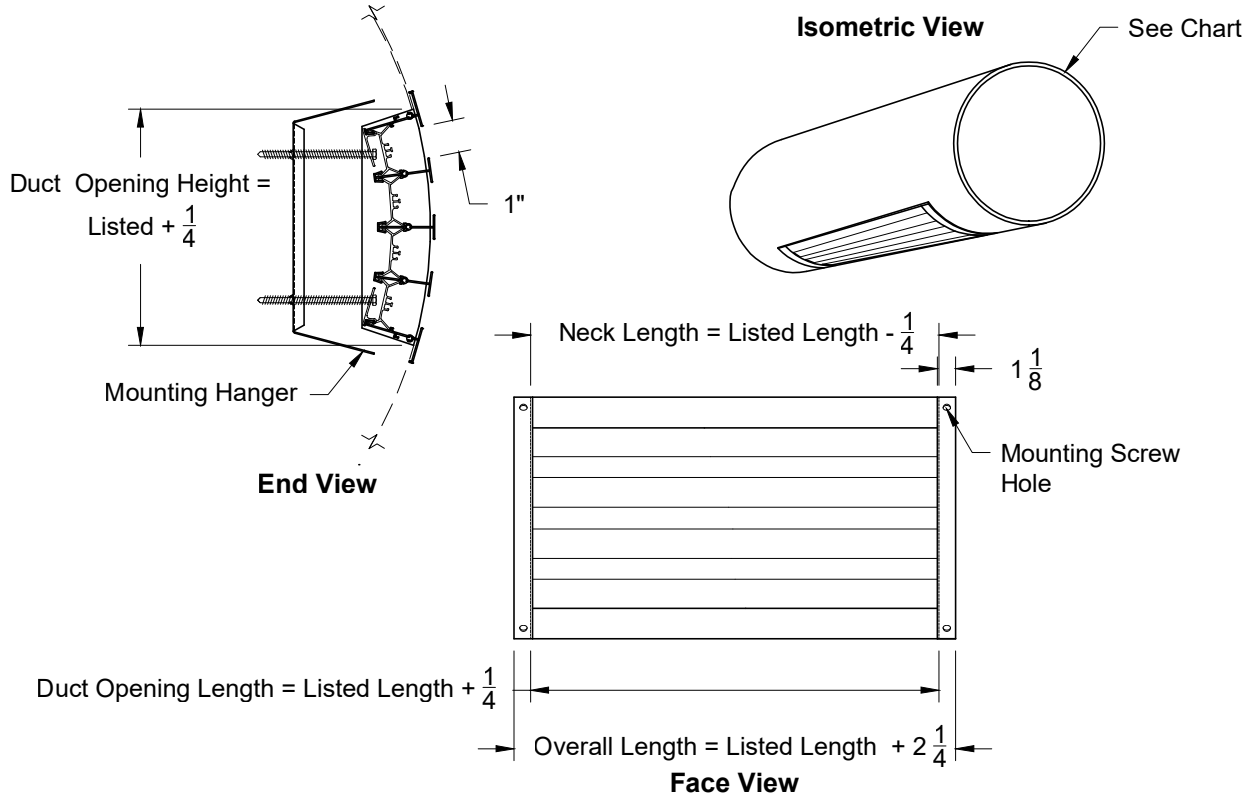


Available only in 1" Slot Width				
Pipe Diameter	Duct Cut Out Opening			
	1 Slot	2 Slot	3 Slot	4 Slot
10	2 1/2	4 1/4	6	N/A
12, 14	2 1/2	4 1/4	6	N/A
16	2 1/2	4 1/4	6	8
18, 20, 22	N/A	4 1/8	6	7.875
24, 26, 28	N/A	4 1/8	6	7 3/4
30	N/A	4 1/8	6	7 3/4

1. Available Finishes	2. Available Accessories	3. Available Options	4. Construction Details
Standard Finish: 02 Satin Silver 03 Black 20 White Frame with Black Pattern Controller 21 Clear Anodized with Black Pattern Controllers Optional Finish 28 Custom Color/ Setup			<ul style="list-style-type: none"> • Sizes available in only 1-4 slots • Slot width 1" (6610) • Longest angle section is 96 inches • No continuous runs available • Available in Listed Sizes Only <p style="text-align: right;">All Dimensions $\pm 1/16$"</p>

Model: XG-6610 SP-12-1 Linear Slot Diffuser - 1" Slot Width - Concealed Mount - Return

XG-6610 RSP-12-1 - Concealed Mount



Available only in 1" Slot Width				
Pipe Diameter	Duct Cut Out Opening			
	1 Slot	2 Slot	3 Slot	4 Slot
10	2 1/2	4 1/4	6	N/A
12, 14	2 1/2	4 1/4	6	N/A
16	2 1/2	4 1/4	6	8
18, 20, 22	N/A	4 1/8	6	7.875
24, 26, 28	N/A	4 1/8	6	7 3/4
30	N/A	4 1/8	6	7 3/4

1. Available Finishes

- Standard Finish:
- 02 Satin Silver
 - 03 Black
 - 20 White Frame with Black Pattern Controller
 - 21 Clear Anodized with Black Pattern Controllers
- Optional Finish
- 28 Custom Color/ Setup

2. Available Accessories

3. Available Options

4. Construction Details

- Sizes available in only 1-4 slots
- Slot width 1" (6610)
- Longest angle section is 96 inches
- No continuous runs available
- Available in Listed Sizes Only

All Dimensions $\pm 1/16$ "