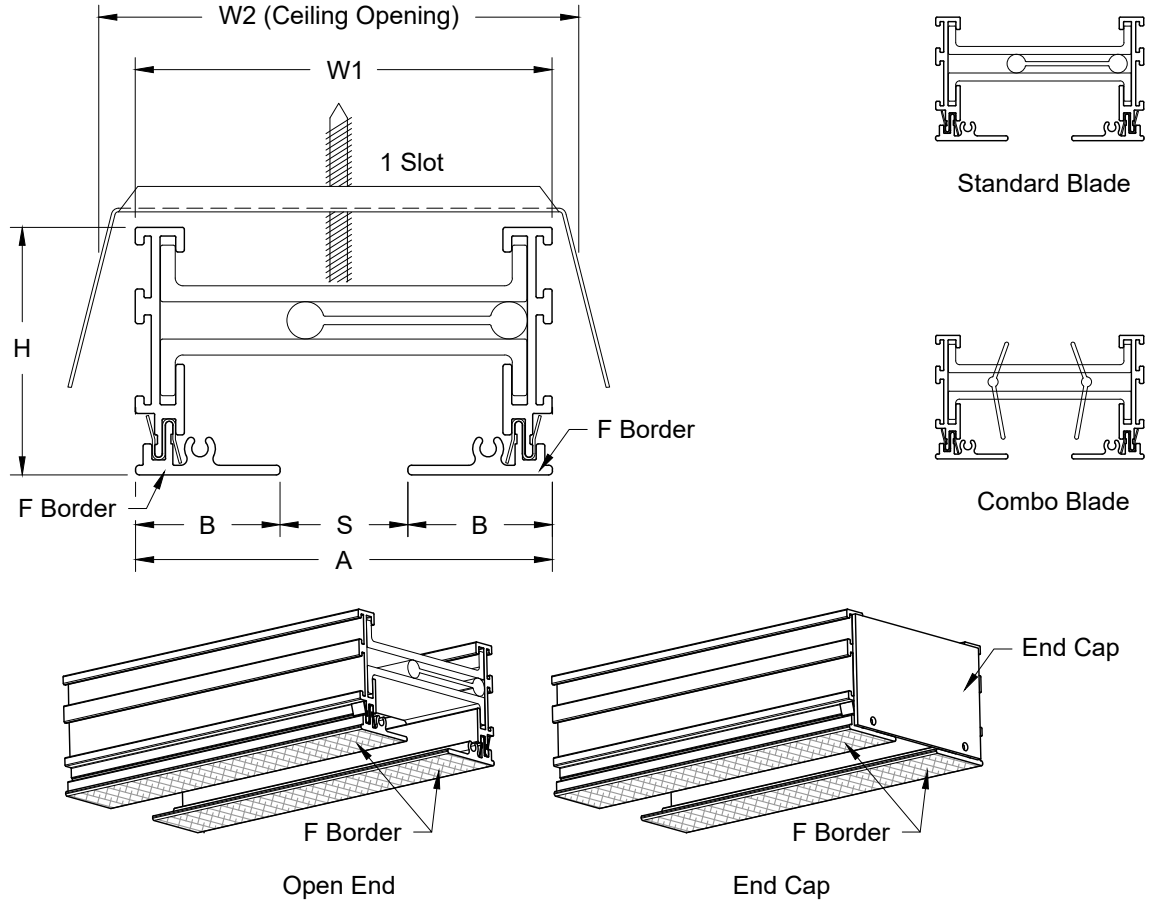


Model: XG-AFLC-FF      1 Slot - Border F & Border F - Concealed Mount - Flush Channel Frame

### XG-AFLC-FF - Concealed Mounted



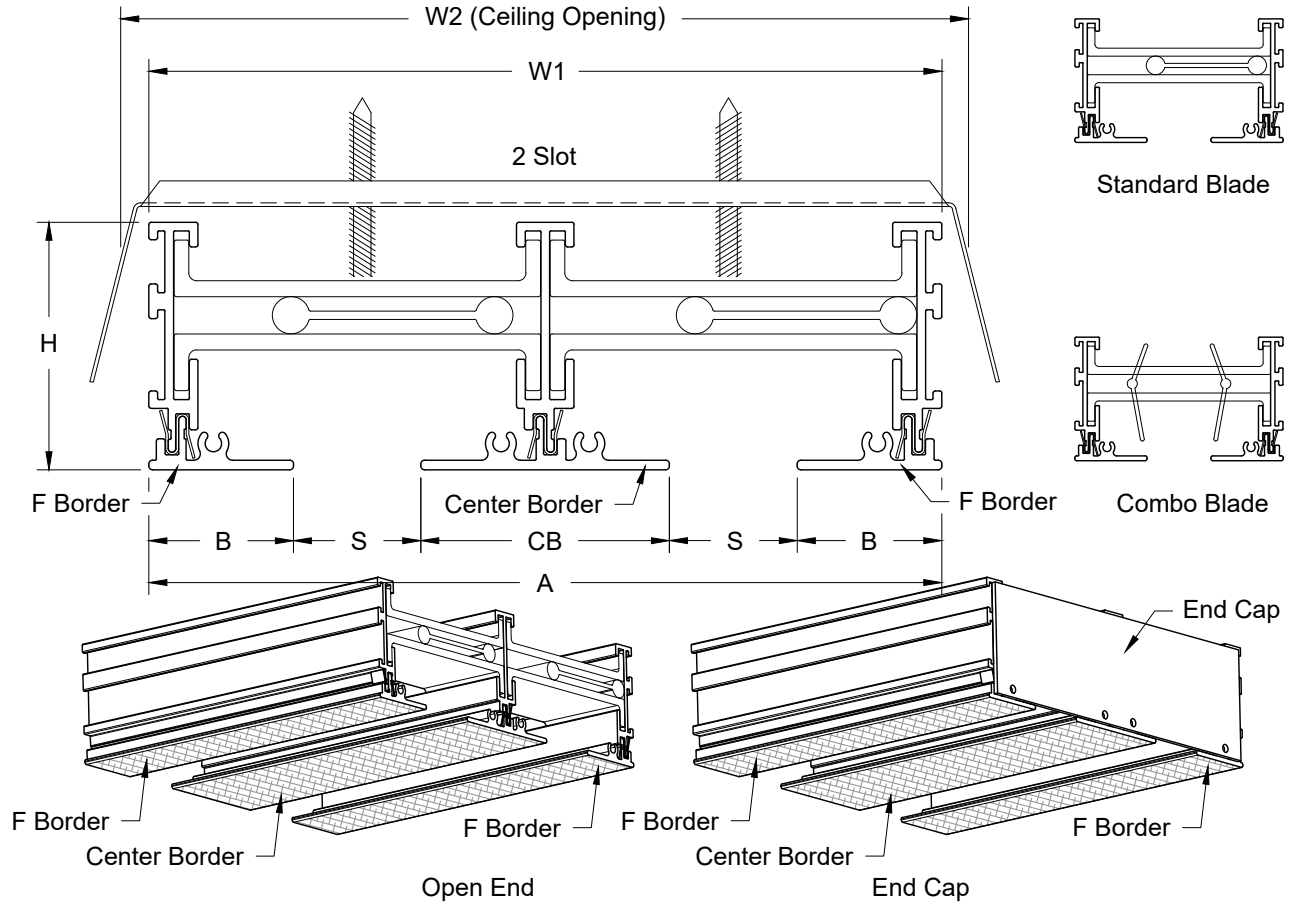
AFLC-FF - 1 Slot						
Model	Unit Face	F Face	Height	Slot	Neck	
	A	B	H	S	W1	W2
AFLC-FF-10	3 1/4	1 1/8	1 15/16	1	3 1/4	4
AFLC-FF-15	3 3/4	1 1/8	1 15/16	1 1/2	3 3/4	4 1/2
AFLC-FF-20	4 1/4	1 1/8	1 15/16	2	4 1/4	5
AFLC-FF-25	5 3/4	1 5/8	2 9/16	2 1/2	5 3/4	6 1/2
AFLC-FF-30	6 1/4	1 5/8	2 9/16	3	6 1/4	7

1. Available Finishes	2. Available Accessories	3. Available Options	4. Construction Details
<p>Standard Finish:</p> <ul style="list-style-type: none"> <li>20 - White Face and Black Interior</li> </ul> <p>Optional Finish</p> <ul style="list-style-type: none"> <li>02 - Satin Silver Face and Black Interior</li> <li>03 - Black Face and Black Interior</li> <li>28 - Custom Face Color and Black Interior</li> </ul>		<ul style="list-style-type: none"> <li>1EC - (1) End Cap</li> <li>2EC - (2) End Cap</li> <li>OO - Open / Open</li> </ul>	<ul style="list-style-type: none"> <li>Material Extruded Aluminum</li> <li>C - Combo Pattern Controller</li> <li>S - Standard Pattern Controller</li> <li>Standard Single Section Size: (12" minimum - 96" maximum)</li> <li>Lengths larger than 96" made in multiple sections</li> </ul>

All Dimensions ±1/16"

Model: XG-AFLC-FF      2 Slot - Border F & Border F - Concealed Mount - Flush Channel Frame

### XG-AFLC-FF - Concealed Mounted



AFLC-FF - 2 Slot							
Model	Face Width	F Face	Center	Height	Slot	Neck	
	A	B	CB	H	S	W1	W2
AFLC-FF-10	6 3/16	1 1/8	1 15/16	1 15/16	1	6 3/16	6 15/16
AFLC-FF-15	7 3/16	1 1/8	1 15/16	1 15/16	1 1/2	7 3/16	7 15/16
AFLC-FF-20	8 3/16	1 1/8	1 15/16	1 15/16	2	8 3/16	8 15/16
AFLC-FF-25	11 3/16	1 5/8	2 15/16	2 9/16	2 1/2	11 3/16	11 15/16
AFLC-FF-30	12 3/16	1 5/8	2 15/16	2 9/16	3	12 3/16	12 15/16

1. Available Finishes	2. Available Accessories	3. Available Options	4. Construction Details
Standard Finish: 20 - White Face and Black Interior Optional Finish 02 - Satin Silver Face and Black Interior 03 - Black Face and Black Interior 28 - Custom Face Color and Black Interior		1EC - (1) End Cap 2EC - (2) End Cap OO - Open / Open	<ul style="list-style-type: none"> <li>Material Extruded Aluminum</li> <li>C - Combo Pattern Controller</li> <li>S - Standard Pattern Controller</li> <li>Standard Single Section Size: (12" minimum - 96" maximum)</li> <li>Lengths larger than 96" made in multiple sections</li> </ul>

All Dimensions ±1/16"