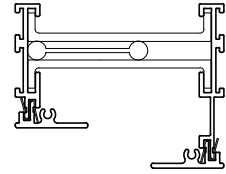
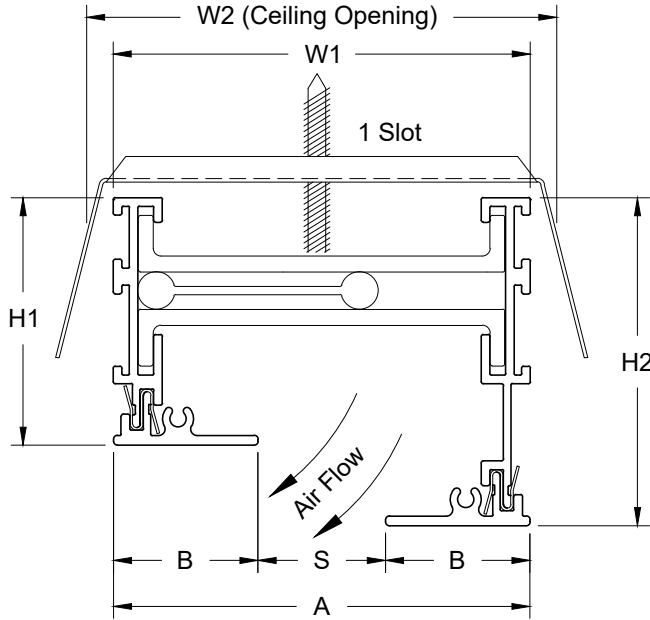
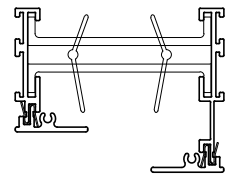


Model: XG-AFLC-FH 1 Slot - Offset Height Frame - Concealed Mount

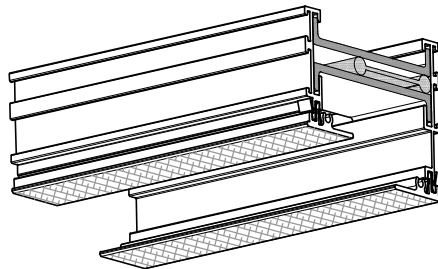
XG-AFLC-FH - Concealed Mount



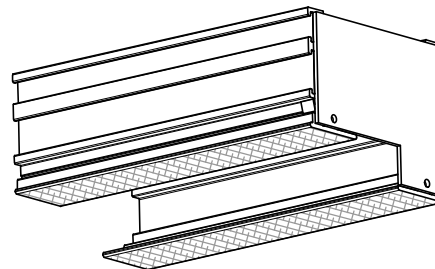
Standard Blade



Combo Blade



Open End



End Cap

AFLC-FH - 1 Slot							
Model	Unit Face	F Face	Height	Height	Slot	Neck	
	A	B	H1	H2	S	W1	W2
AFLC-FH-10	3 1/4	1 1/8	1 15/16	2 9/16	1	3 1/4	4
AFLC-FH-15	3 3/4	1 1/8	1 15/16	2 9/16	1 1/2	3 3/4	4 1/2
AFLC-FH-20	4 1/4	1 1/8	1 15/16	2 9/16	2	4 1/4	5
AFLC-FH-25	5 3/4	1 5/8	1 15/16	2 9/16	2 1/2	5 3/4	6 1/2
AFLC-FH-30	6 1/4	1 5/8	1 15/16	2 9/16	3	6 1/4	7

1. Available Finishes

Standard Finish:
20 - White Face and Black Interior

Optional Finish
02 - Satin Silver Face and Black Interior
03 - Black Face and Black Interior
28 - Custom Face Color and Black Interior

2. Available Accessories

3. Available Options

1EC - (1) End Cap
2EC - (2) End Cap
OO - Open / Open

4. Construction Details

- Material Extruded Aluminum
- C - Combo Pattern Controller
- S - Standard Pattern Controller
- Standard Single Section Size: (12" minimum - 96" maximum)
- Lengths larger than 96" made in multiple sections

All Dimensions ±1/16"