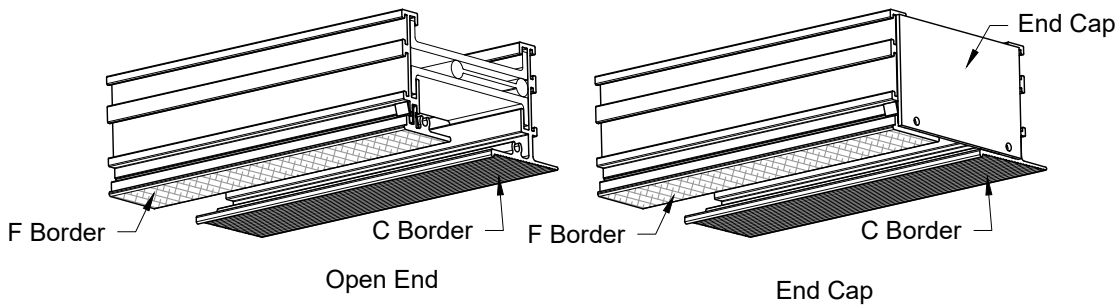
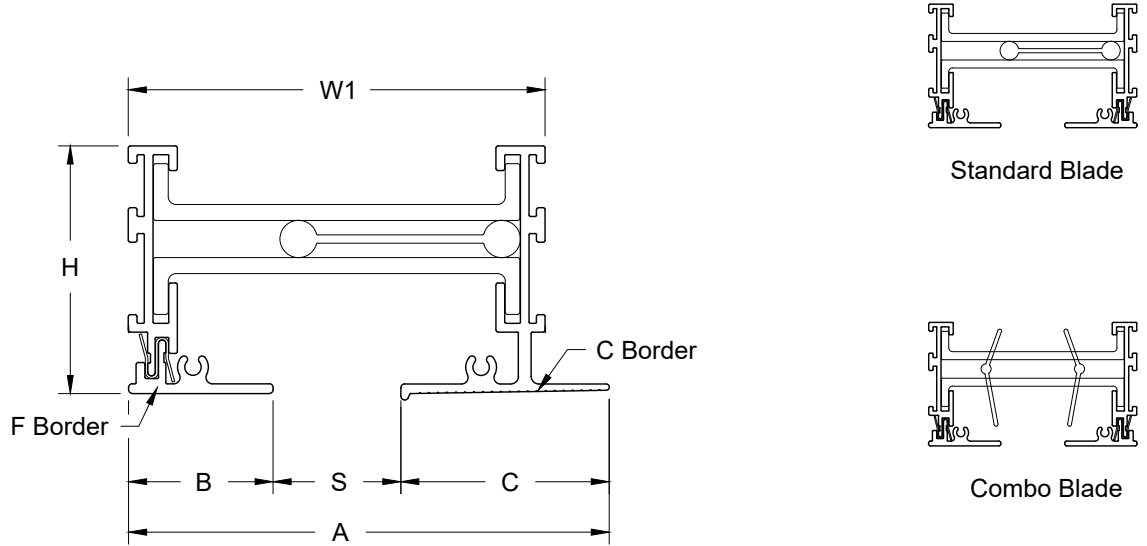


Model: XG-AFL-FC

1 Slot - Border F & Border C - Flush Channel Frame - Exposed Face

XG-AFL-FC - Surface Mounted



XG-AFL-FC - 1 Slot						
Model	Unit Width	F Face	C Face	Height	Slot	Neck
	A	B	C	H	S	W1
XG-AFL-FC-10	3 3/4	1 1/8	1 5/8	1 15/16	1	3 1/4
XG-AFL-FC-15	4 1/4	1 1/8	1 5/8	1 15/16	1 1/2	3 3/4
XG-AFL-FC-20	4 3/4	1 1/8	1 5/8	1 15/16	2	4 1/4
XG-AFL-FC-25	6 1/4	1 5/8	2 1/8	2 9/16	2 1/2	5 3/4
XG-AFL-FC-30	6 3/4	1 5/8	2 1/8	2 9/16	3	6 1/4

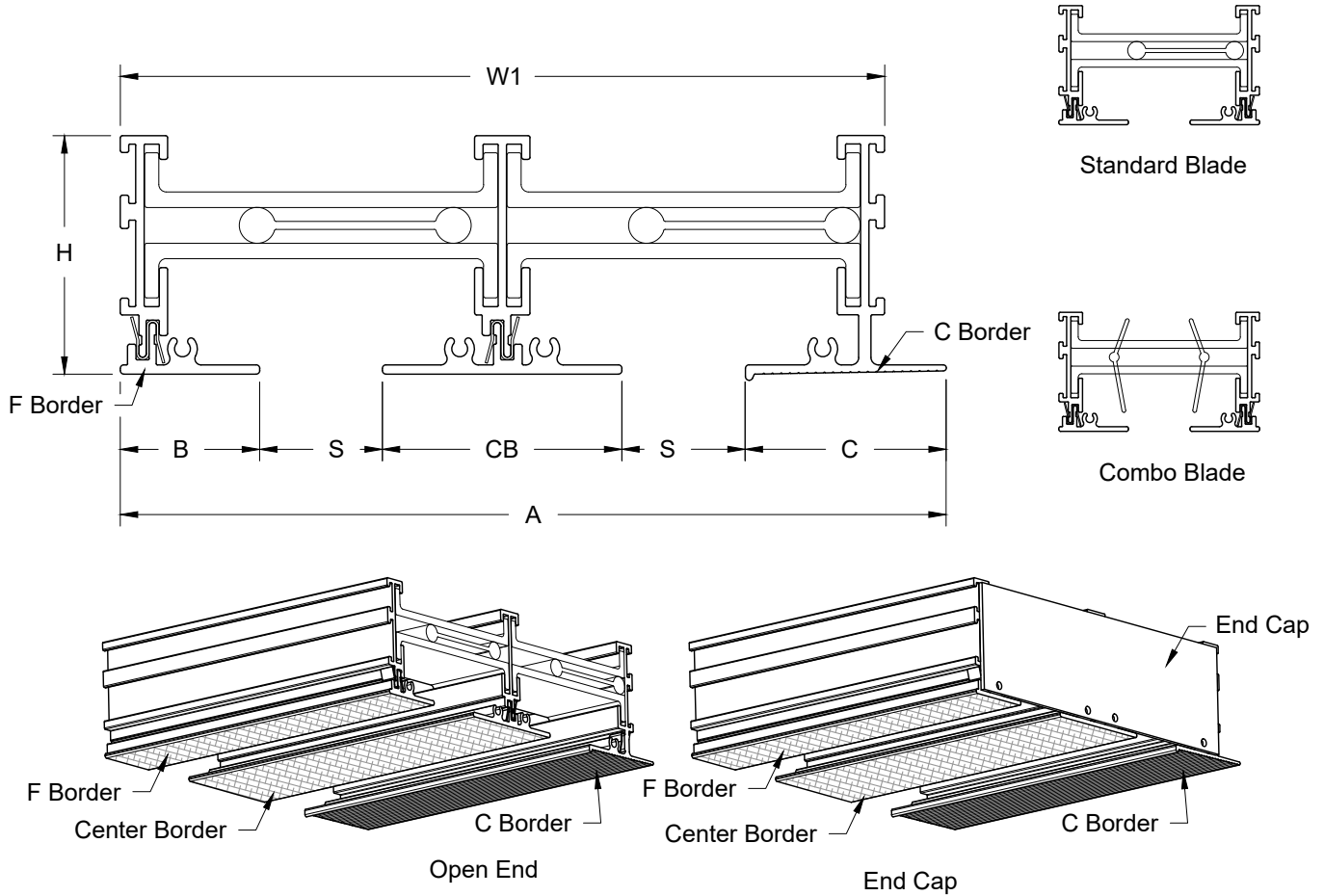
1. Available Finishes	2. Available Accessories	3. Available Options	4. Construction Details
Standard Finish: 20 - White Face and Black Interior Optional Finish 02 - Satin Silver Face and Black Interior 03 - Black Face and Black Interior 28 - Custom Face Color and Black Interior		1EC - (1) End Cap 2EC - (2) End Cap OO - Open / Open	<ul style="list-style-type: none"> Material Extruded Aluminum C - Combo Pattern Controller S - Standard Pattern Controller Standard Single Section Size: (12" minimum - 96" maximum) Lengths larger than 96" made in multiple sections

All Dimensions ±1/16"

Model: XG-AFL-FC

2 Slot - Border F & Border C - Flush Channel Frame - Exposed Face

XG-AFL-FC - Surface Mounted



XG-AFL-FC - 2 Slot							
Model	Unit Width	F Face	C Face	Center	Height	Slot	Neck
	A	B	C	CB	H	S	W1
XG-AFL-FC-10	6 3/16	1 1/8	1 5/8	1 15/16	1 15/16	1	6 3/16
XG-AFL-FC-15	7 3/16	1 1/8	1 5/8	1 15/16	1 15/16	1 1/2	7 3/16
XG-AFL-FC-20	8 3/16	1 1/8	1 5/8	1 15/16	1 15/16	2	8 3/16
XG-AFL-FC-25	11 3/16	1 5/8	2 1/8	2 15/16	2 9/16	2 1/2	11 3/16
XG-AFL-FC-30	12 3/16	1 5/8	2 1/8	2 15/16	2 9/16	3	12 3/16

1. Available Finishes

Standard Finish:
20 - White Face and Black Interior

Optional Finish
02 - Satin Silver Face and Black Interior
03 - Black Face and Black Interior
28 - Custom Face Color and Black Interior

2. Available Accessories

3. Available Options

1EC - (1) End Cap
2EC - (2) End Cap
OO - Open / Open

4. Construction Details

- Material Extruded Aluminum
- C - Combo Pattern Controller
- S - Standard Pattern Controller
- Standard Single Section Size: (12" minimum - 96" maximum)
- Lengths larger than 96" made in multiple sections

All Dimensions ±1/16"