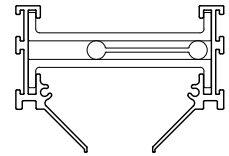
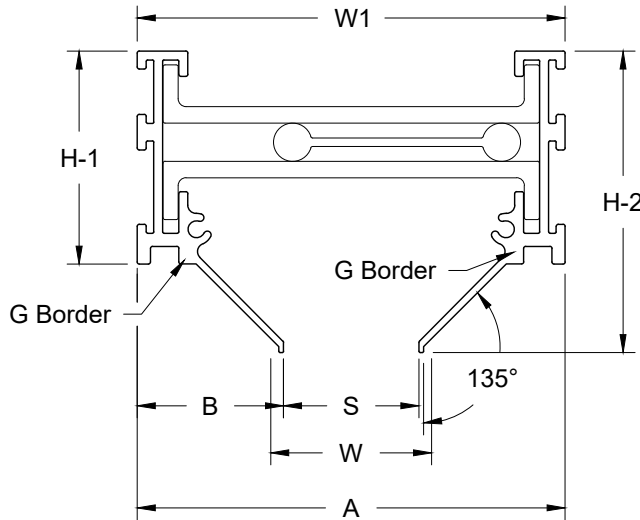
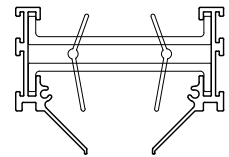


Model: XG-AFL-GG-10	1" Slot Beveled Frame - Surface Mount
XG-AFL-GG-15	1 1/2" Slot Beveled Frame - Surface Mount
XG-AFL-GG-20	2" Slot Beveled Frame - Surface Mount

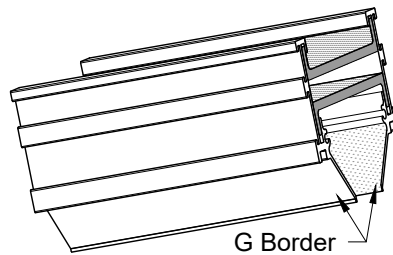
XG-AFL-GG - Surface Mount



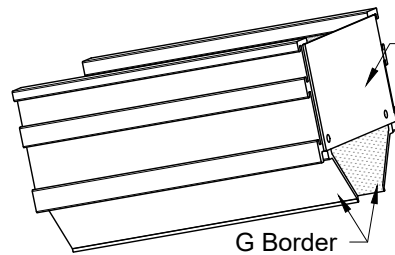
Standard Blade



Combo Blade



Open End



End Cap

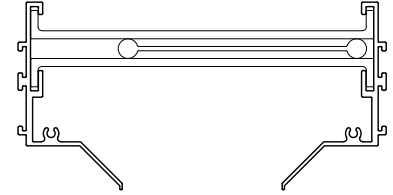
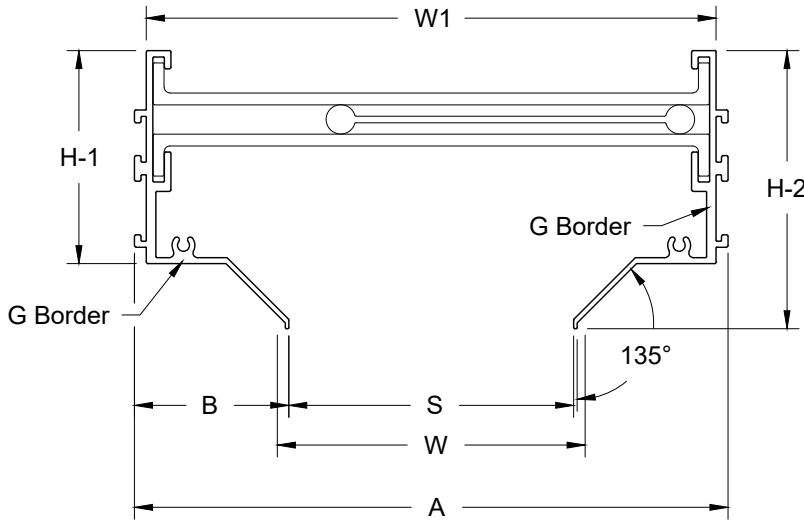
XG-AFL-GG-10-15-20							
Model	Unit Width	G Face	Height	Unit H	Slot Width	Face Opening	Neck
	A	B	H-1	H-2	S	W	W1
XG-AFL-GG-10	3 1/4	1 1/8	1 5/8	2 5/16	1	1 1/4	3 1/4
XG-AFL-GG-15	3 3/4	1 1/8	1 5/8	2 5/16	1 1/2	1 3/4	3 3/4
XG-AFL-GG-20	4 1/4	1 1/8	1 5/8	2 5/16	2	2 1/4	4 1/4

1. Available Finishes	2. Available Accessories	3. Available Options	4. Construction Details
Standard Finish: 03 - Black Face and Black Interior		1EC - (1) End Cap 2EC - (2) End Cap OO - Open / Open	<ul style="list-style-type: none"> Material Extruded Aluminum C - Combo Pattern Controller S - Standard Pattern Controller Standard Single Section Size: (12" minimum - 96" maximum) Lengths larger than 96" made in multiple sections

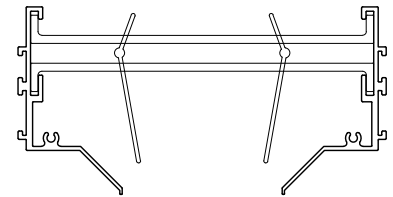
All Dimensions ±1/16"

Model: XG-AFL-GG-25 2 1/2" Slot Beveled Frame - Surface Mount
 XG-AFL-GG-30 3" Slot Beveled Frame - Surface Mount

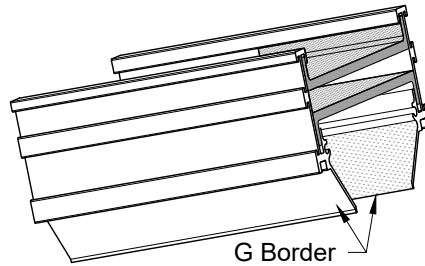
XG-AFL-GG - Surface Mount



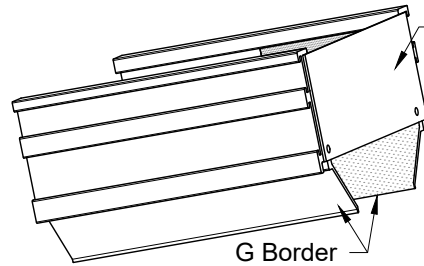
Standard Blade



Combo Blade



Open End



End Cap

XG-AFL-GG-25-30							
Model	Width	G Face	Height	Unit H	Slot	Face Opening	Neck
	A	B	H-1	H-2	S	W	W1
XG-AFL-GG-25	5 3/4	1 5/8	2 1/4	2 15/16	2 1/2	2 3/4	5 3/4
XG-AFL-GG-30	6 1/4	1 5/8	2 1/4	2 15/16	3	3 1/4	6 1/4

1. Available Finishes	2. Available Accessories	3. Available Options	4. Construction Details
Standard Finish: 03 - Black Face and Black Interior		1EC - (1) End Cap 2EC - (2) End Cap OO - Open / Open	<ul style="list-style-type: none"> Material Extruded Aluminum C - Combo Pattern Controller S - Standard Pattern Controller Standard Single Section Size: (12" minimum - 72" maximum) Lengths larger than 72" made in multiple sections

All Dimensions ±1/16"