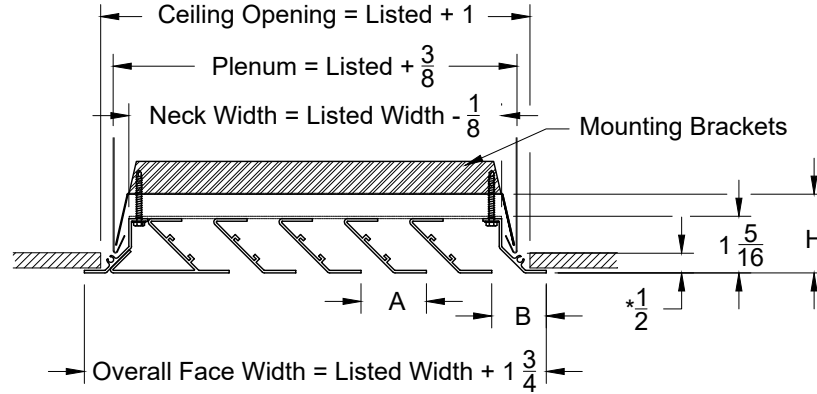
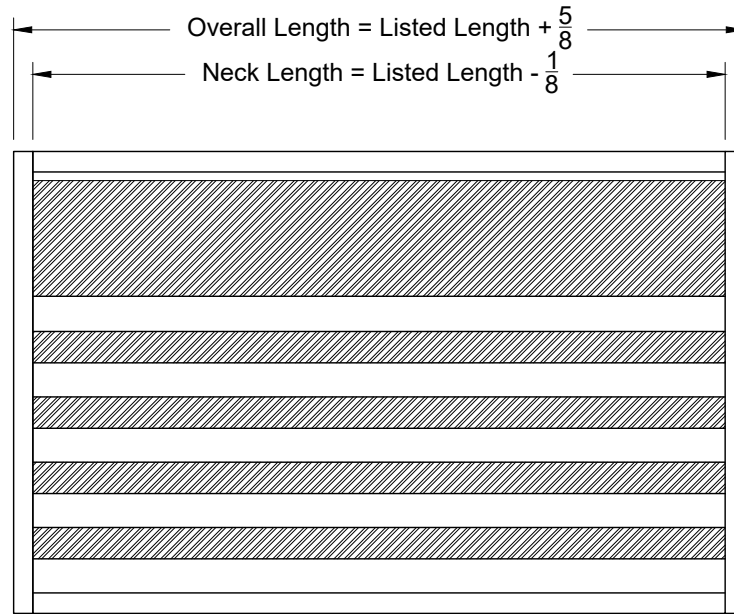


Model: XG-LFL-1W-1 One Way Air Pattern Controller - Flush Surface Mount

XG-LFL-1W-1 - Flush Surface Mount



Side View



1-Way Air Flow
Face View

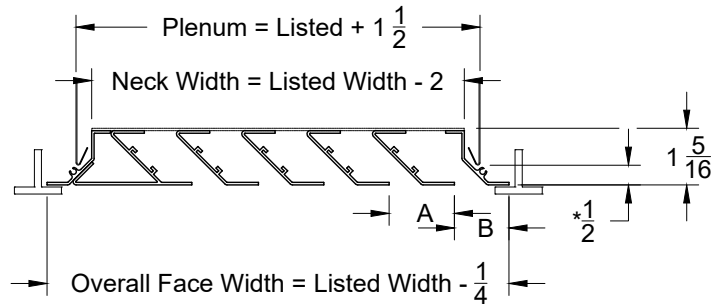
Listed Width	6	9	12
A	1 5/8	1 9/16	1 9/16
B	1 3/8	1 5/16	1 5/16
H (Height)	2	2	2
H with OBD	3 1/2	3 1/2	3 1/2

1. Available Finishes	2. Available Accessories	3. Available Options	4. Construction Details
Standard Finish: 01 White Finish 24 Mill Finish Optional Finish 02 Satin Silver 03 Black 28 Custom Color	OBD - Opposed Blade Damper OBDA - Opposed Blade Damper Aluminum		<ul style="list-style-type: none"> • Neck Sizes only As Listed • Longest Length 72" Single Section • Continuous Runs in Multiple Sections • * Dimension indicates the distance needed for Clearance from the bottom of the duct to the ceiling line and must be maintained for proper fit

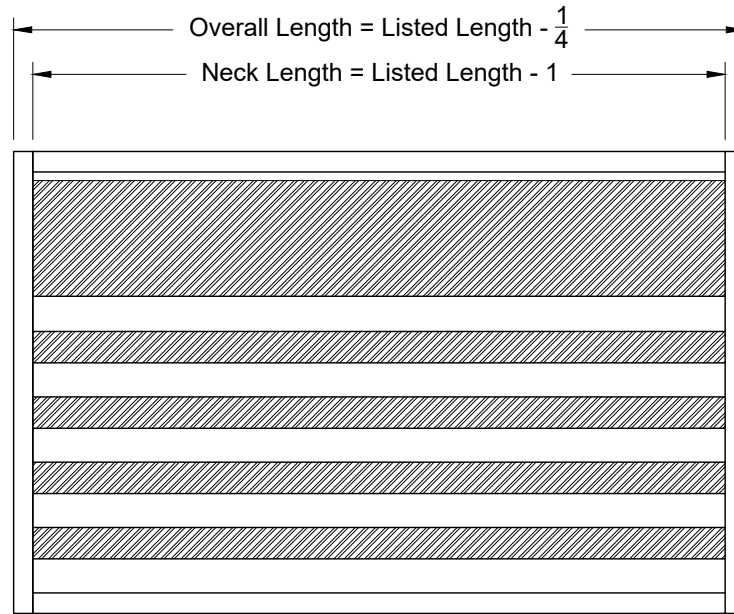
All Dimensions ±1/16"

Model: XG-LFL-1W-6 One Way Air Patter Controller - Lay In T-Bar

XG-LFL-1W-6 - T-Bar Mount



Side View



1-Way Air Flow
 Face View

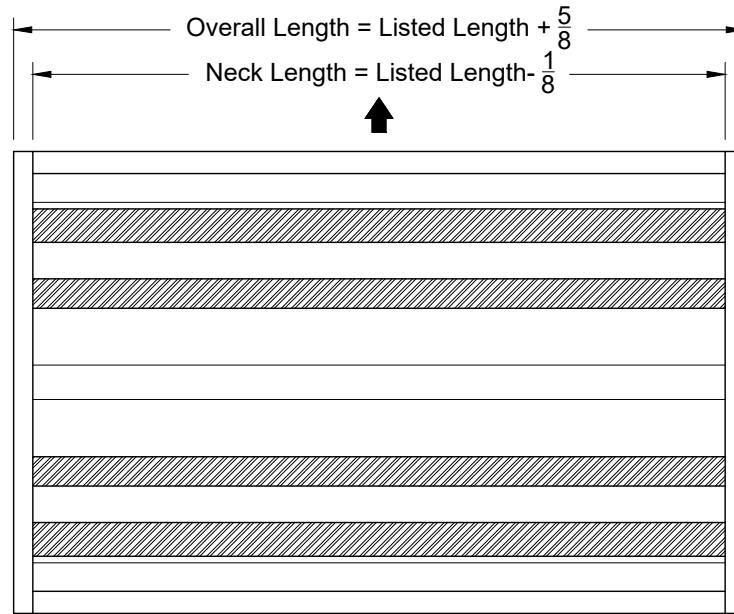
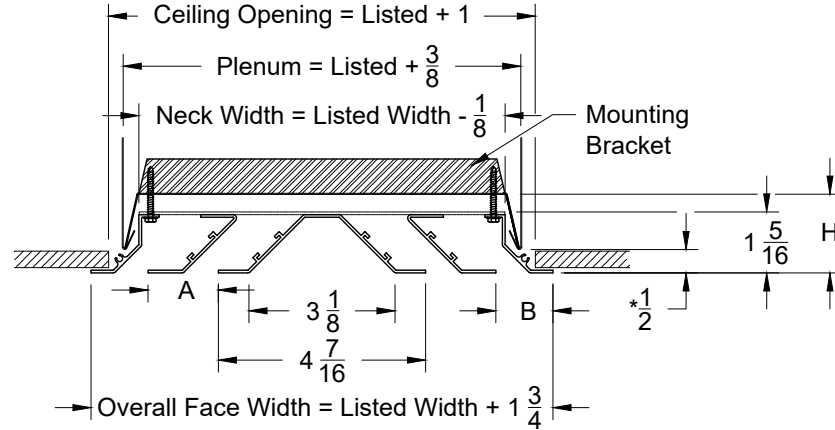
Listed Width	6	9	12
A	1 $\frac{5}{8}$	1 $\frac{9}{16}$	1 $\frac{9}{16}$
B	1 $\frac{3}{8}$	1 $\frac{5}{16}$	1 $\frac{5}{16}$

1. Available Finishes	2. Available Accessories	3. Available Options	4. Construction Details
Standard Finish: 01 White Finish 24 Mill Finish Optional Finish 02 Satin Silver 03 Black 28 Custom Color	OBD - Opposed Blade Damper OBDA - Opposed Blade Damper Aluminum		<ul style="list-style-type: none"> • Neck Sizes only As Listed • Longest Length 72" Single Section • Continuous Runs in Multiple Sections • * Dimension indicates the distance needed for Clearance from the bottom of the duct to the ceiling line and must be maintained for proper fit

All Dimensions $\pm 1/16"$

Model: XG-LFL-2W-1 Two Way Air Pattern Controller - Flush Surface Mount

XG-LFL-2W-1 - Flush Surface Mount



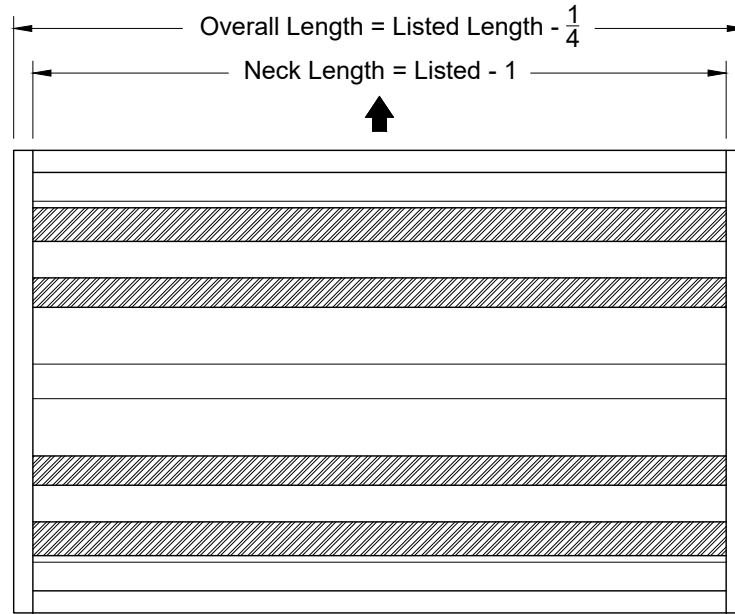
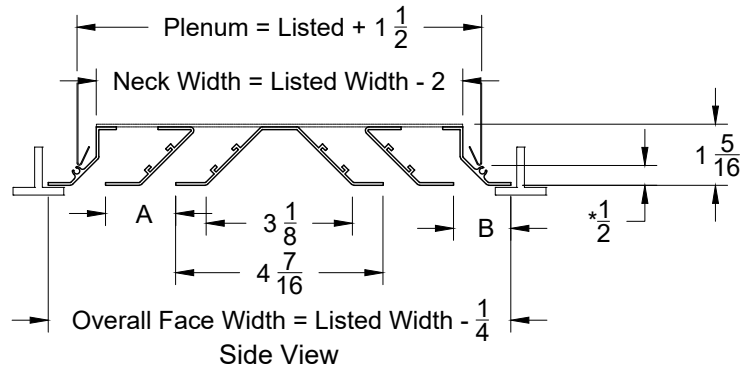
Listed Width	6	9	12
A	1 $\frac{5}{8}$	1 $\frac{3}{4}$	1 $\frac{11}{16}$
B	1 $\frac{3}{4}$	1 $\frac{1}{2}$	1 $\frac{7}{8}$
H (Height)	2	2	2
H with OBD	3 $\frac{1}{2}$	3 $\frac{1}{2}$	3 $\frac{1}{2}$

1. Available Finishes	2. Available Accessories	3. Available Options	4. Construction Details
Standard Finish: 01 White Finish 24 Mill Finish Optional Finish 02 Satin Silver 03 Black 28 Custom Color	OBD - Opposed Blade Damper OBDA - Opposed Blade Damper Aluminum		<ul style="list-style-type: none"> • Neck Sizes only As Listed • Longest Length 72" Single Section • Continuous Runs in Multiple Sections • * Dimension indicates the distance needed for Clearance from the bottom of the duct to the ceiling line and must be maintained for proper fit

All Dimensions $\pm 1/16"$

Model: XG-LFL-2W-6 Two Way Air Pattern Controller - Lay In T-Bar

XG-LFL-2W-6 - Lay In T-Bar Mount



2-Way Air Flow
Face View

Listed Width	6	9	12
A	1 $\frac{5}{8}$	1 $\frac{3}{4}$	1 $\frac{11}{16}$
B	1 $\frac{3}{4}$	1 $\frac{1}{2}$	1 $\frac{7}{8}$

1. Available Finishes	2. Available Accessories	3. Available Options	4. Construction Details
Standard Finish: 01 White Finish 24 Mill Finish Optional Finish 02 Satin Silver 03 Black 28 Custom Color	OBD - Opposed Blade Damper OBDA - Opposed Blade Damper Aluminum		<ul style="list-style-type: none"> • Neck Sizes only As Listed • Longest Length 72" Single Section • Continuous Runs in Multiple Sections • * Dimension indicates the distance needed for Clearance from the bottom of the duct to the ceiling line and must be maintained for proper fit

All Dimensions $\pm 1/16"$