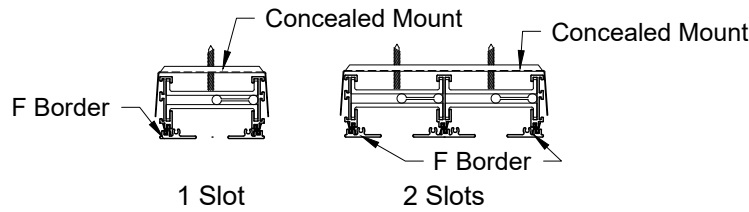
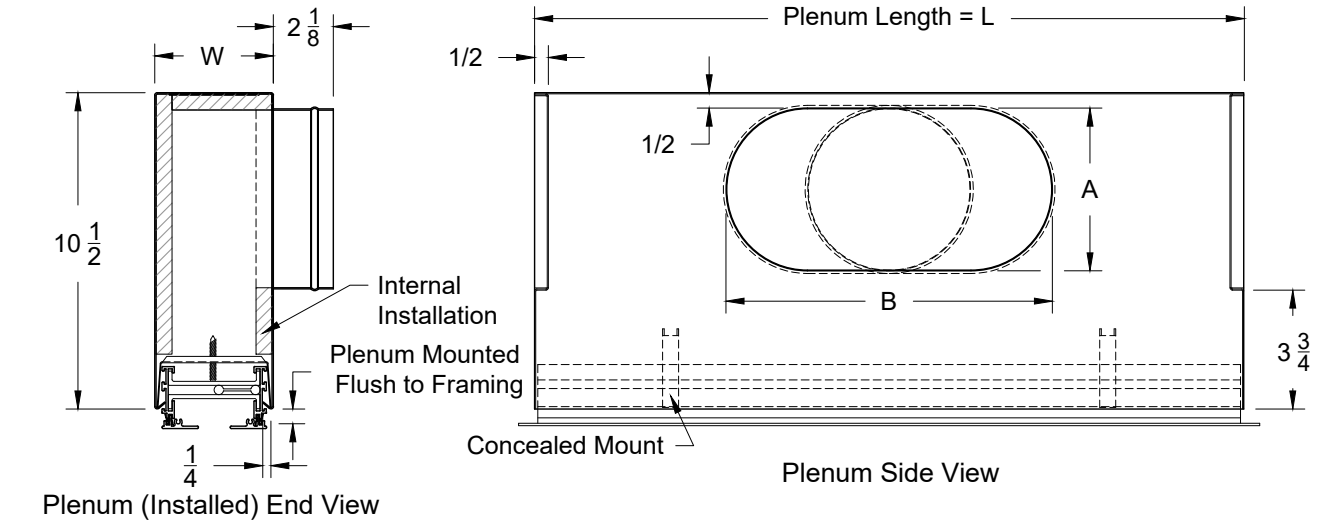


Model: XG-UPI-AFLC-FF-10 Linear Diffuser Plenum with Concealed Mounting - 1" Slot - Insulated

XG-UPI-AFLC-FF-10 - 1" Slot - Insulated



Models	Slot Width	Number of Slots	W (Width)
UPI-AFLC-FF-10	1	1	4
UPI-AFLC-FF-10	1	2	6 15/16

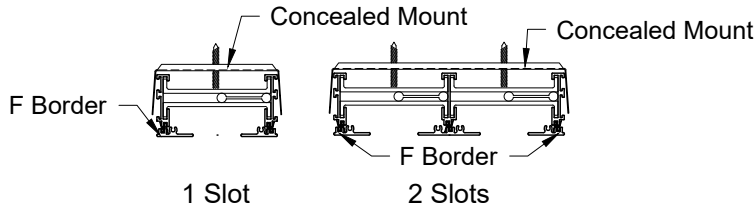
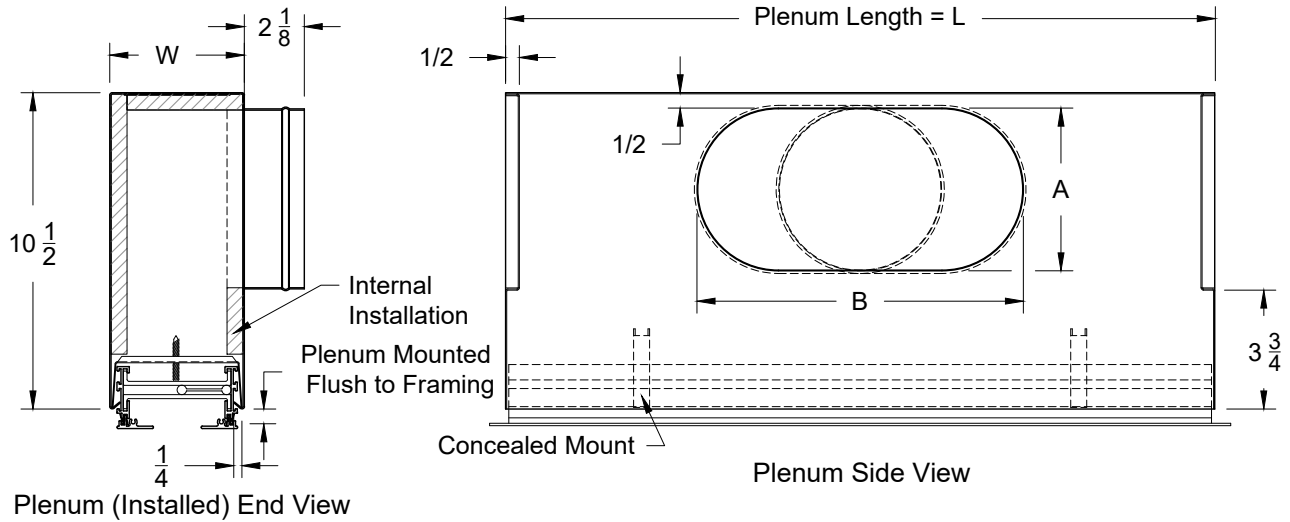
Inlet Chart				Length
Size	Type	A	B	
6	Round	5 7/8	-	L
7	Oval	5 7/8	7 1/4	24
8	Oval	5 7/8	8 3/8	36
9	Oval	5 7/8	10	48
10	Oval	5 7/8	11 9/16	60
12	Oval	5 7/8	14 13/16	72
14	Oval	5 7/8	17 13/16	

L = Listed Size ± Linear End Types						
Model	Frame Type	OO	1-EC	2-EC	MM	MO
UPI-AFLC-FF-10	F	- 1/16	- 1/16	- 1/16	- 1/16	- 1/16

1. Available Finishes	2. Available Accessories	3. Available Options	4. Construction Details
	XG-FODR - Face Operated Damper Rod XG-ID - Inlet Damper XG-LQ - Locking Quadrant Damper XG-ROD - Remote Operated Damper	1EC - (1) End Cap 2EC - (2) End Caps OO - Open / Open	<ul style="list-style-type: none"> • STD - Standard Insulation 1/2" Fiberglass • CC - Closed Cell Foam • EI - Externally Insulated 1/2" Foil back Fiberglass • Note: End Cap Not Insulated • Standard Lengths: 24, 36, 48, 60, 72 • Custom Length available for extra charge 12" minimum – 72" maximum • All Dimensions ±1/16"

Model: XG-UPI-AFLC-FF-15 Linear Diffuser Plenum with Concealed Mounting - 1 1/2" Slot - Insulated

XG-UPI-AFLC-FF-15 - 1 1/2" Slot - Insulated



Models	Slot Width	Number of Slots	W (Width)
UPI-AFLC-FF-15	1 1/2	1	4 1/2
UPI-AFLC-FF-15	1 1/2	2	7 15/16

Inlet Chart			
Size	Type	A	B
6	Round	5 7/8	-
7	Oval	5 7/8	7 1/4
8	Oval	5 7/8	8 3/8
9	Oval	5 7/8	10
10	Oval	5 7/8	11 9/16
12	Oval	5 7/8	14 13/16
14	Oval	5 7/8	17 13/16

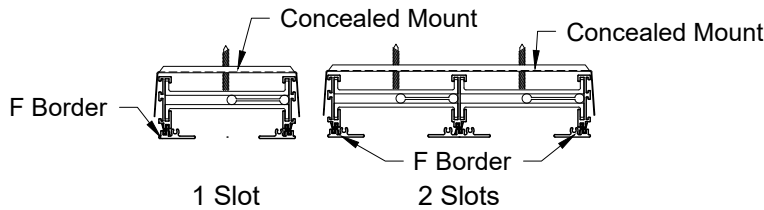
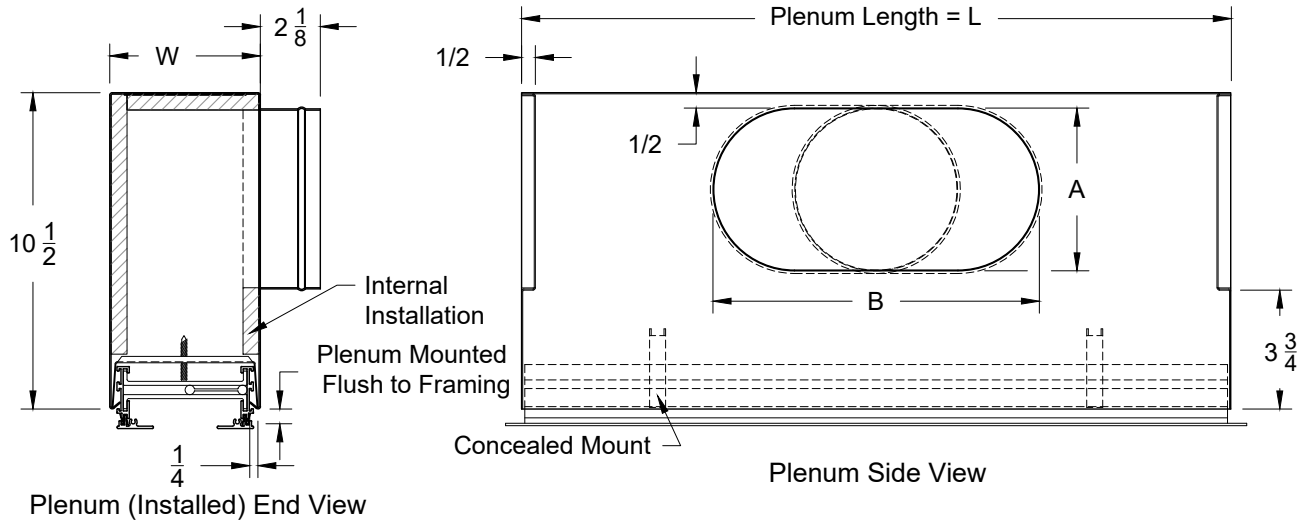
Length
L
24
36
48
60
72

L = Listed Size ± Linear End Types						
Model	Frame Type	OO	1-EC	2-EC	MM	MO
UPI-AFLC-FF-15	F	- 1/16	- 1/16	- 1/16	- 1/16	- 1/16

1. Available Finishes	2. Available Accessories	3. Available Options	4. Construction Details
	XG-FODR - Face Operated Damper Rod XG-ID - Inlet Damper XG-LQ - Locking Quadrant Damper XG-ROD - Remote Operated Damper	1EC - (1) End Cap 2EC - (2) End Caps OO - Open / Open	<ul style="list-style-type: none"> • STD - Standard Insulation 1/2" Fiberglass • CC - Closed Cell Foam • EI - Externally Insulated 1/2" Foil back Fiberglass • Note: End Cap Not Insulated • Standard Lengths: 24, 36, 48, 60, 72 • Custom Length available for extra charge 12" minimum – 72" maximum All Dimensions ±1/16"

Model: XG-UPI-AFLC-FF-20 Linear Diffuser Plenum with Concealed Mounting - 2" Slot - Insulated

XG-UPI-AFLC-FF-20 - 2" Slot - Insulated



Models	Slot Width	Number of Slots	W (Width)
UPI-AFLC-FF-20	2	1	5
UPI-AFLC-FF-20	2	2	8 15/16

Inlet Chart			
Size	Type	A	B
6	Round	5 7/8	-
7	Oval	5 7/8	7 1/4
8	Oval	5 7/8	8 3/8
9	Oval	5 7/8	10
10	Oval	5 7/8	11 9/16
12	Oval	5 7/8	14 13/16
14	Oval	5 7/8	17 13/16

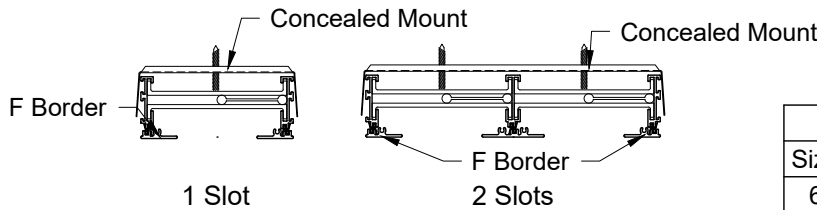
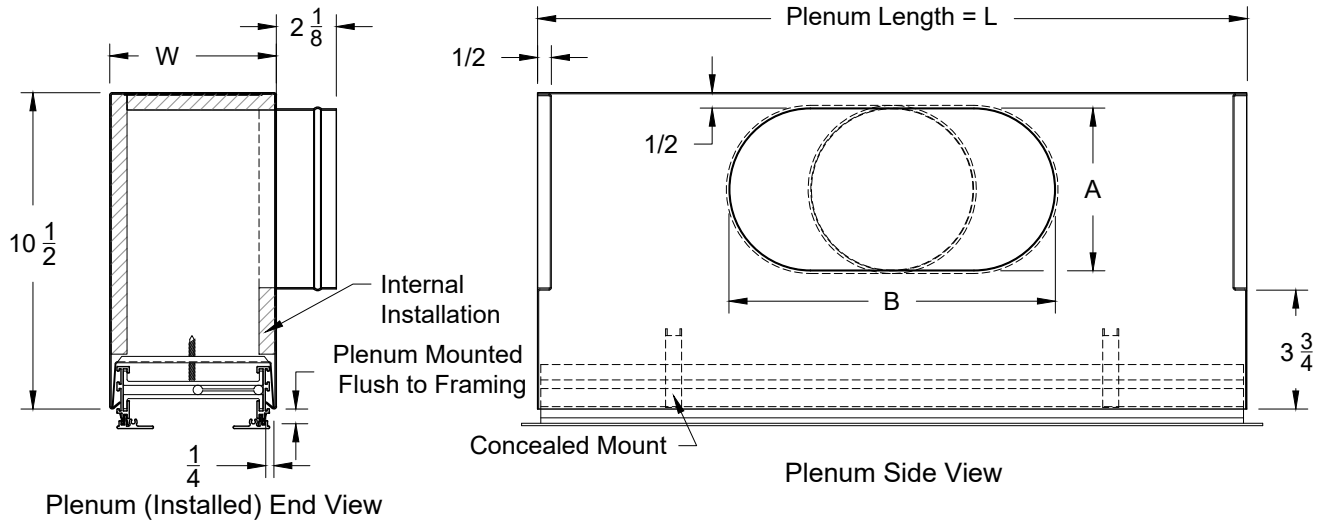
Length
L
24
36
48
60
72

L = Listed Size ± Linear End Types						
Model	Frame Type	OO	1-EC	2-EC	MM	MO
UPI-AFLC-FF-20	F	- 1/16	- 1/16	- 1/16	- 1/16	- 1/16

1. Available Finishes	2. Available Accessories	3. Available Options	4. Construction Details
	XG-FODR - Face Operated Damper Rod XG-ID - Inlet Damper XG-LQ - Locking Quadrant Damper XG-ROD - Remote Operated Damper	1EC - (1) End Cap 2EC - (2) End Caps OO - Open / Open	<ul style="list-style-type: none"> • STD - Standard Insulation 1/2" Fiberglass • CC - Closed Cell Foam • EI - Externally Insulated 1/2" Foil back Fiberglass • Note: End Cap Not Insulated • Standard Lengths: 24, 36, 48, 60, 72 • Custom Length available for extra charge 12" minimum – 72" maximum All Dimensions ±1/16"

Model: XG-UPI-AFLC-FF-25 Linear Diffuser Plenum with Concealed Mounting - 2 1/2" Slot - Insulated

XG-UPI-AFLC-FF-25 - 2 1/2" Slot - Insulated



Models	Slot Width	Number of Slots	W (Width)
UPI-AFLC-FF-25	2 1/2	1	6 1/2
UPI-AFLC-FF-25	2 1/2	2	11 15/16

Inlet Chart			
Size	Type	A	B
6	Round	5 7/8	-
7	Oval	5 7/8	7 1/4
8	Oval	5 7/8	8 3/8
9	Oval	5 7/8	10
10	Oval	5 7/8	11 9/16
12	Oval	5 7/8	14 13/16
14	Oval	5 7/8	17 13/16

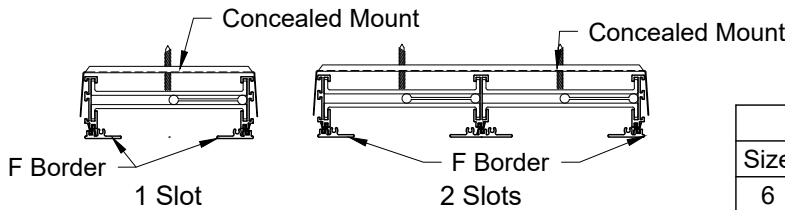
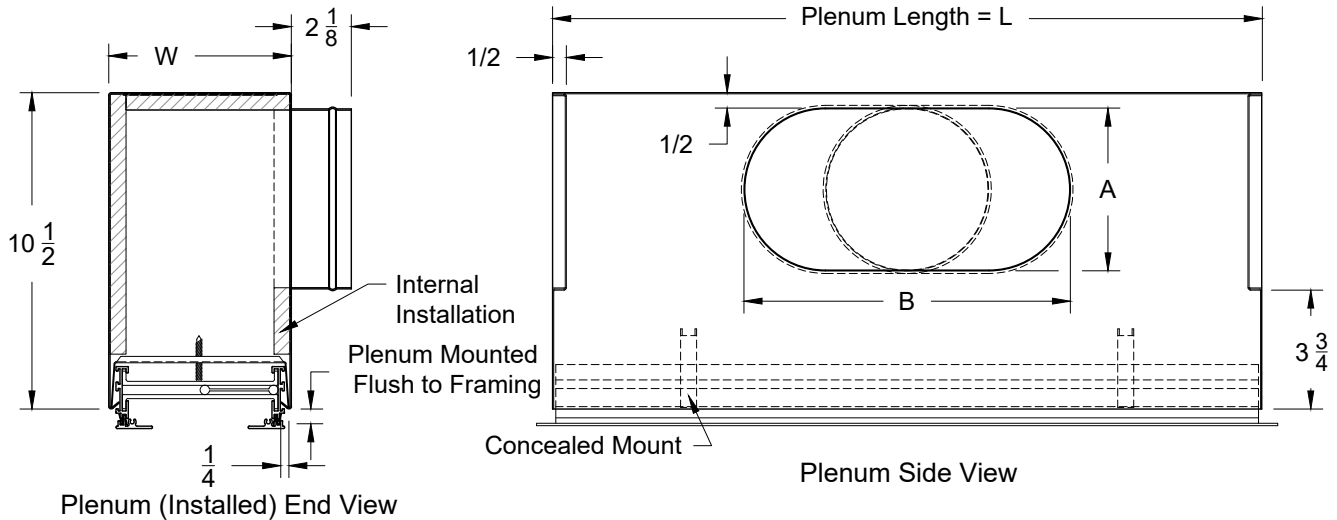
Length
L
24
36
48
60
72

L = Listed Size ± Linear End Types						
Model	Frame Type	OO	1-EC	2-EC	MM	MO
UPI-AFLC-FF-25	F	- 1/16	- 1/16	- 1/16	- 1/16	- 1/16

1. Available Finishes	2. Available Accessories	3. Available Options	4. Construction Details
	XG-FODR - Face Operated Damper Rod XG-ID - Inlet Damper XG-LQ - Locking Quadrant Damper XG-ROD - Remote Operated Damper	1EC - (1) End Cap 2EC - (2) End Caps OO - Open / Open	<ul style="list-style-type: none"> • STD - Standard Insulation 1/2" Fiberglass • CC - Closed Cell Foam • EI - Externally Insulated 1/2" Foil back Fiberglass • Note: End Cap Not Insulated • Standard Lengths: 24, 36, 48, 60, 72 • Custom Length available for extra charge 12" minimum – 72" maximum All Dimensions ±1/16"

Model: XG-UPI-AFLC-FF-30 Linear Diffuser Plenum with Concealed Mounting - 3" Slot - Insulated

XG-UPI-AFLC-FF-30 - 3" Slot - Insulated



Models	Slot Width	Number of Slots	W (Width)
UPI-AFLC-FF-30	3	1	7
UPI-AFLC-FF-30	3	2	12 15/16

Inlet Chart			
Size	Type	A	B
6	Round	5 7/8	-
7	Oval	5 7/8	7 1/4
8	Oval	5 7/8	8 3/8
9	Oval	5 7/8	10
10	Oval	5 7/8	11 9/16
12	Oval	5 7/8	14 13/16
14	Oval	5 7/8	17 13/16

Length
L
24
36
48
60
72

L = Listed Size ± Linear End Types						
Model	Frame Type	OO	1-EC	2-EC	MM	MO
UPI-AFLC-FF-30	F	- 1/16	- 1/16	- 1/16	- 1/16	- 1/16

1. Available Finishes	2. Available Accessories	3. Available Options	4. Construction Details
	XG-FODR - Face Operated Damper Rod XG-ID - Inlet Damper XG-LQ - Locking Quadrant Damper XG-ROD - Remote Operated Damper	1EC - (1) End Cap 2EC - (2) End Caps OO - Open / Open	<ul style="list-style-type: none"> • STD - Standard Insulation 1/2" Fiberglass • CC - Closed Cell Foam • EI - Externally Insulated 1/2" Foil back Fiberglass • Note: End Cap Not Insulated • Standard Lengths: 24, 36, 48, 60, 72 • Custom Length available for extra charge 12" minimum – 72" maximum All Dimensions ±1/16"