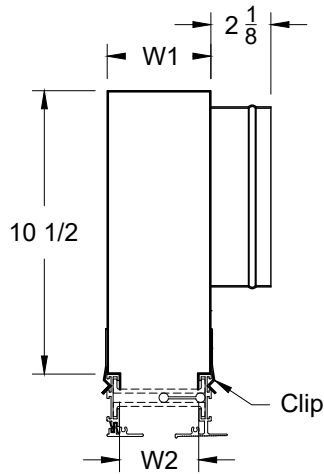
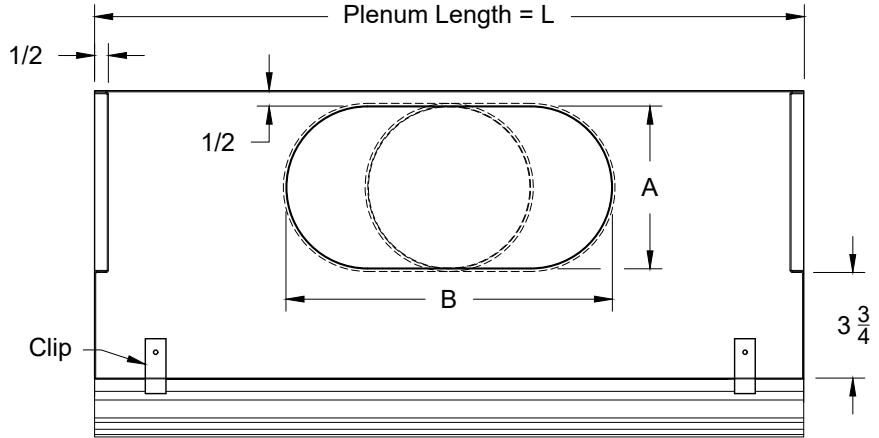


Model: XG-UP-AFL-FC-10 Linear Diffuser Plenum - 1" Slot - Non Insulated

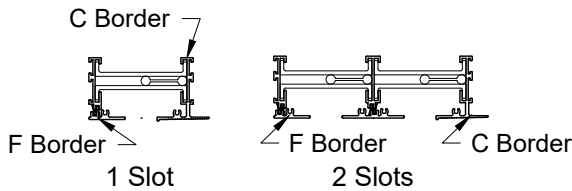
XG-UP-AFL-FC-10 - 1" Slot - Non Insulated



Plenum (Installed) End View



Plenum Side View



Inlet Chart			
Size	Type	A	B
6	Round	5 7/8	-
7	Oval	5 7/8	7 1/4
8	Oval	5 7/8	8 3/8
9	Oval	5 7/8	10
10	Oval	5 7/8	11 9/16
12	Oval	5 7/8	14 13/16
14	Oval	5 7/8	17 13/16

Length
L
24
36
48
60
72

Models	Slot Width	Number of Slots	W1	W2
UP-AFL-FC-10	1	1	3 1/4	2 1/4
UP-AFL-FC-10	1	2	6 3/16	5 3/16

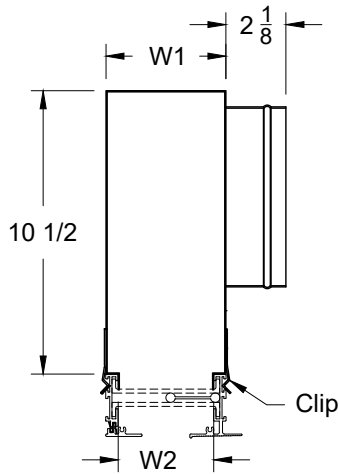
L = Listed Size ± Linear End Types						
Model	Frame Type	OO	1-EC	2-EC	MM	MO
UP-AFL-FC-10	F	- 1/4	- 1/4	- 1/4	- 1/4	- 1/4

1. Available Finishes	2. Available Accessories	3. Available Options	4. Construction Details
	XG-FODR - Face Operated Damper Rod XG-ID - Inlet Damper XG-LQ - Locking Quadrant Damper XG-ROD - Remote Operated Damper	1EC - (1) End Cap 2EC - (2) End Caps OO - Open / Open	<ul style="list-style-type: none"> Standard Lengths: 24, 36, 48, 60, 72 Custom Length available for extra charge 12" minimum – 72" maximum NI - No Inlet

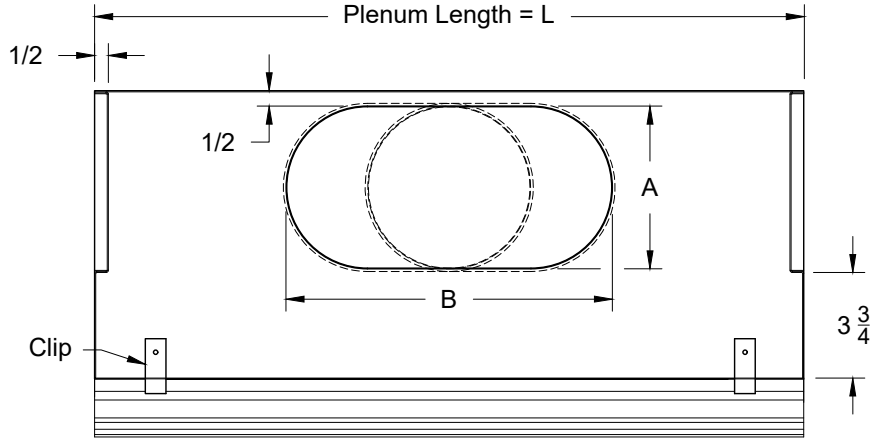
All Dimensions ±1/16"

Model: XG-UP-AFL-FC-15 Linear Diffuser Plenum - 1 1/2" Slot - Non Insulated

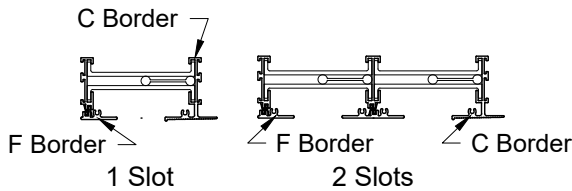
XG-UP-AFL-FC-15 - 1 1/2" Slot - Non Insulated



Plenum (Installed) End View



Plenum Side View



Inlet Chart			
Size	Type	A	B
6	Round	5 7/8	-
7	Oval	5 7/8	7 1/4
8	Oval	5 7/8	8 3/8
9	Oval	5 7/8	10
10	Oval	5 7/8	11 9/16
12	Oval	5 7/8	14 13/16
14	Oval	5 7/8	17 13/16

Length
L
24
36
48
60
72

Models	Slot Width	Number of Slots	W1	W2
UP-AFL-FC-15	1 1/2	1	3 3/4	2 3/4
UP-AFL-FC-15	1 1/2	2	7 3/16	6 3/16

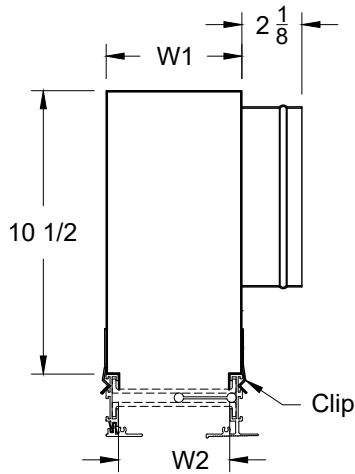
L = Listed Size ± Linear End Types						
Model	Frame Type	OO	1-EC	2-EC	MM	MO
UP-AFL-FC-15	F	- 1/4	- 1/4	- 1/4	- 1/4	- 1/4

1. Available Finishes	2. Available Accessories	3. Available Options	4. Construction Details
	XG-FODR - Face Operated Damper Rod XG-ID - Inlet Damper XG-LQ - Locking Quadrant Damper XG-ROD - Remote Operated Damper	1EC - (1) End Cap 2EC - (2) End Caps OO - Open / Open	<ul style="list-style-type: none"> Standard Lengths: 24, 36, 48, 60, 72 Custom Length available for extra charge 12" minimum – 72" maximum NI - No Inlet

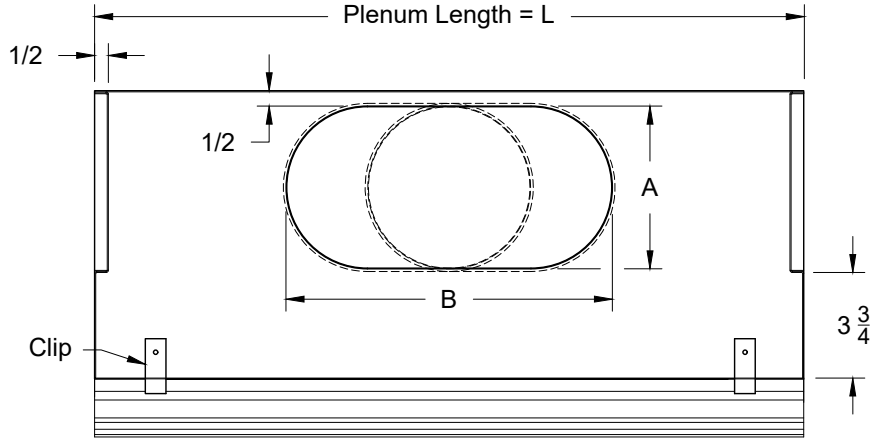
All Dimensions ±1/16"

Model: XG-UP-AFL-FC-20 Linear Diffuser Plenum - 2" Slot - Non Insulated

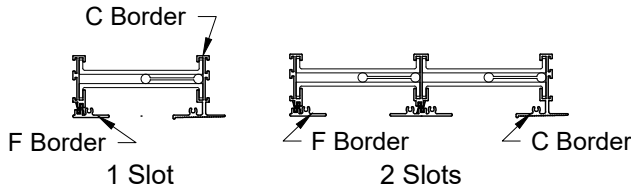
XG-UP-AFL-FC-20 - 2" Slot - Non Insulated



Plenum (Installed) End View



Plenum Side View



Inlet Chart			
Size	Type	A	B
6	Round	5 7/8	-
7	Oval	5 7/8	7 1/4
8	Oval	5 7/8	8 3/8
9	Oval	5 7/8	10
10	Oval	5 7/8	11 9/16
12	Oval	5 7/8	14 13/16
14	Oval	5 7/8	17 13/16

Length
L
24
36
48
60
72

Models	Slot Width	Number of Slots	W1	W2
UP-AFL-FC-20	2	1	4 1/4	3 1/4
UP-AFL-FC-20	2	2	8 3/16	7 3/16

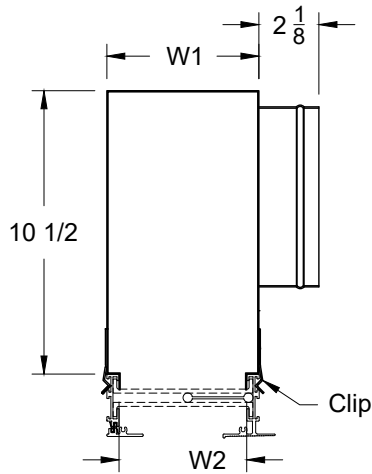
L = Listed Size ± Linear End Types						
Model	Frame Type	OO	1-EC	2-EC	MM	MO
UP-AFL-FC-20	F	- 1/4	- 1/4	- 1/4	- 1/4	- 1/4

1. Available Finishes	2. Available Accessories	3. Available Options	4. Construction Details
	XG-FODR - Face Operated Damper Rod XG-ID - Inlet Damper XG-LQ - Locking Quadrant Damper XG-ROD - Remote Operated Damper	1EC - (1) End Cap 2EC - (2) End Caps OO - Open / Open	<ul style="list-style-type: none"> Standard Lengths: 24, 36, 48, 60, 72 Custom Length available for extra charge 12" minimum – 72" maximum NI - No Inlet

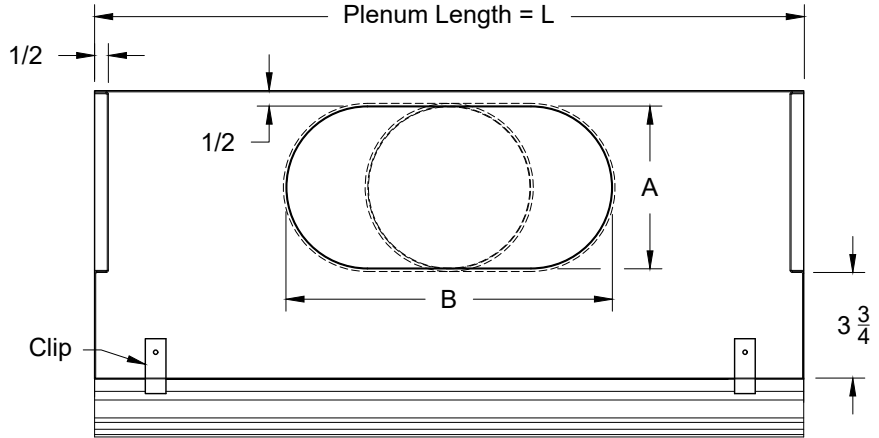
All Dimensions ±1/16"

Model: XG-UP-AFL-FC-25 Linear Diffuser Plenum - 2 1/2" Slot - Non Insulated

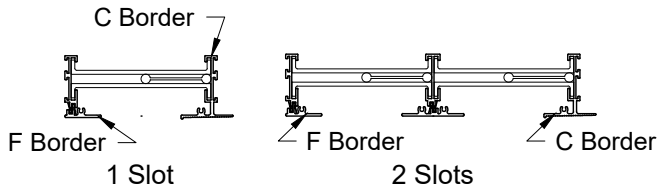
XG-UP-AFL-FC-25 - 2 1/2" Slot - Non Insulated



Plenum (Installed) End View



Plenum Side View



Inlet Chart			
Size	Type	A	B
6	Round	5 7/8	-
7	Oval	5 7/8	7 1/4
8	Oval	5 7/8	8 3/8
9	Oval	5 7/8	10
10	Oval	5 7/8	11 9/16
12	Oval	5 7/8	14 13/16
14	Oval	5 7/8	17 13/16

Length
L
24
36
48
60
72

Models	Slot Width	Number of Slots	W1	W2
UP-AFL-FC-25	2 1/2	1	5 3/4	4 3/4
UP-AFL-FC-25	2 1/2	2	11 3/16	10 3/16

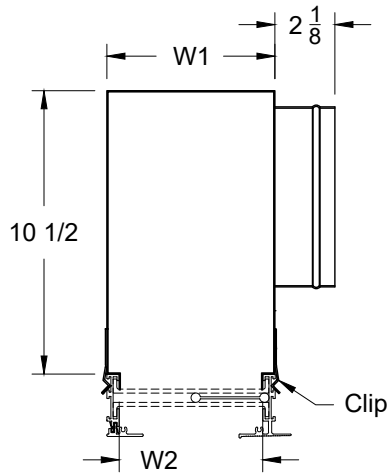
L = Listed Size ± Linear End Types						
Model	Frame Type	OO	1-EC	2-EC	MM	MO
UP-AFL-FC-25	F	- 1/4	- 1/4	- 1/4	- 1/4	- 1/4

1. Available Finishes	2. Available Accessories	3. Available Options	4. Construction Details
	XG-FODR - Face Operated Damper Rod XG-ID - Inlet Damper XG-LQ - Locking Quadrant Damper XG-ROD - Remote Operated Damper	1EC - (1) End Cap 2EC - (2) End Caps OO - Open / Open	<ul style="list-style-type: none"> Standard Lengths: 24, 36, 48, 60, 72 Custom Length available for extra charge 12" minimum – 72" maximum NI - No Inlet

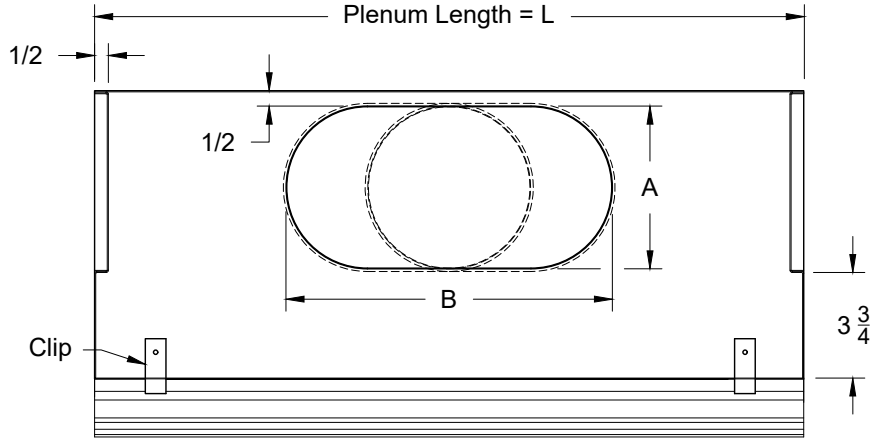
All Dimensions ±1/16"

Model: XG-UP-AFL-FC-30 Linear Diffuser Plenum - 3" Slot - Non Insulated

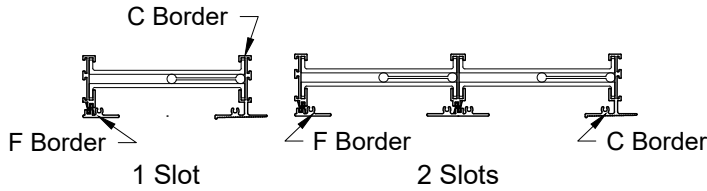
XG-UP-AFL-FC-30 - 3" Slot - Non Insulated



Plenum (Installed) End View



Plenum Side View



Inlet Chart			
Size	Type	A	B
6	Round	5 7/8	-
7	Oval	5 7/8	7 1/4
8	Oval	5 7/8	8 3/8
9	Oval	5 7/8	10
10	Oval	5 7/8	11 9/16
12	Oval	5 7/8	14 13/16
14	Oval	5 7/8	17 13/16

Length
L
24
36
48
60
72

Models	Slot Width	Number of Slots	W1	W2
UP-AFL-FC-30	3	1	6 1/4	5 1/4
UP-AFL-FC-30	3	2	12 3/16	11 3/16

L = Listed Size ± Linear End Types						
Model	Frame Type	OO	1-EC	2-EC	MM	MO
UP-AFL-FC-30	F	- 1/4	- 1/4	- 1/4	- 1/4	- 1/4

1. Available Finishes	2. Available Accessories	3. Available Options	4. Construction Details
	XG-FODR - Face Operated Damper Rod XG-ID - Inlet Damper XG-LQ - Locking Quadrant Damper XG-ROD - Remote Operated Damper	1EC - (1) End Cap 2EC - (2) End Caps OO - Open / Open	<ul style="list-style-type: none"> Standard Lengths: 24, 36, 48, 60, 72 Custom Length available for extra charge 12" minimum – 72" maximum NI - No Inlet

All Dimensions ±1/16"