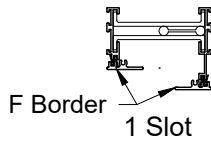
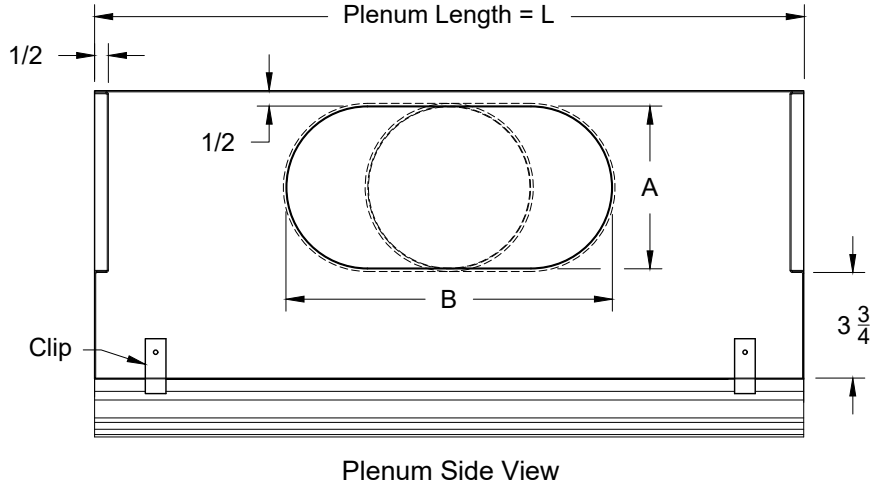
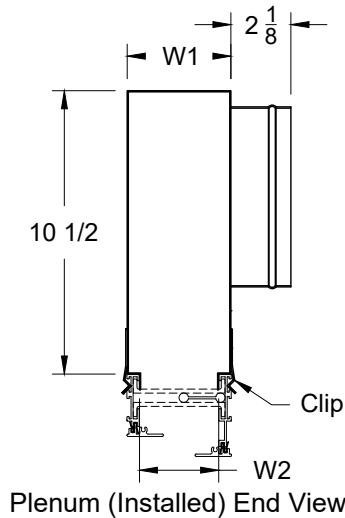


Model: XG-UP-AFL-FH-10 Linear Diffuser Plenum - 1" Slot - Non Insulated

XG-UP-AFL-FH-10 - 1" Slot - Non Insulated



| Models | Slot Width | Number of Slots | W1 | W2 |
|--------------|------------|-----------------|-------|-------|
| UP-AFL-FH-10 | 1 | 1 | 3 1/4 | 2 1/4 |

| Inlet Chart | | | | Length |
|-------------|-------|-------|----------|--------|
| Size | Type | A | B | |
| 6 | Round | 5 7/8 | - | L |
| 7 | Oval | 5 7/8 | 7 1/4 | 24 |
| 8 | Oval | 5 7/8 | 8 3/8 | 36 |
| 9 | Oval | 5 7/8 | 10 | 48 |
| 10 | Oval | 5 7/8 | 11 9/16 | 60 |
| 12 | Oval | 5 7/8 | 14 13/16 | 72 |
| 14 | Oval | 5 7/8 | 17 13/16 | |

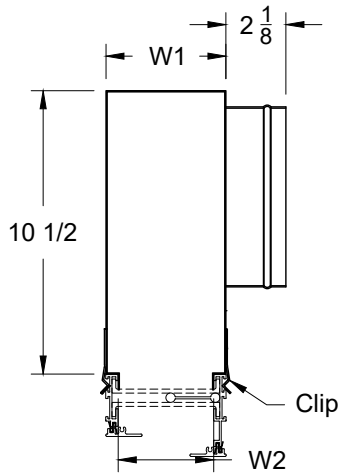
| L = Listed Size ± Linear End Types | | | | | | |
|------------------------------------|------------|-------|-------|-------|-------|-------|
| Model | Frame Type | OO | 1-EC | 2-EC | MM | MO |
| UP-AFL-FH-10 | F | - 1/4 | - 1/4 | - 1/4 | - 1/4 | - 1/4 |

| 1. Available Finishes | 2. Available Accessories | 3. Available Options | 4. Construction Details |
|-----------------------|--|---|---|
| | XG-FODR - Face Operated Damper Rod XG-ID - Inlet Damper XG-LQ - Locking Quadrant Damper XG-ROD - Remote Operated Damper | 1EC - (1) End Cap 2EC - (2) End Caps OO - Open / Open | <ul style="list-style-type: none"> Standard Lengths: 24, 36, 48, 60, 72 Custom Length available for extra charge 12" minimum – 72" maximum NI - No Inlet |

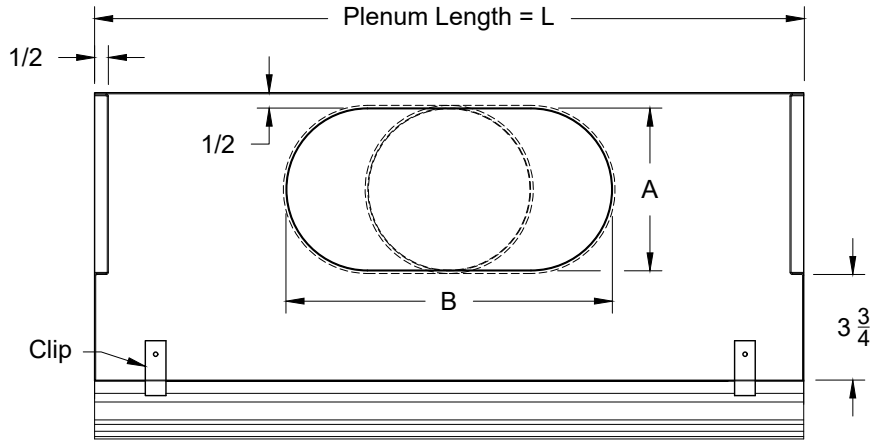
All Dimensions ±1/16"

Model: XG-UP-AFL-FH-15 Linear Diffuser Plenum - 1 1/2" Slot - Non Insulated

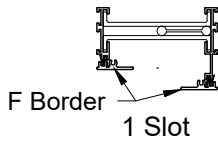
XG-UP-AFL-FH-15 - 1 1/2" Slot - Non Insulated



Plenum (Installed) End View



Plenum Side View



| Models | Slot Width | Number of Slots | W1 | W2 |
|--------------|------------|-----------------|-------|-------|
| UP-AFL-FH-15 | 1 1/2 | 1 | 3 3/4 | 2 3/4 |

| Inlet Chart | | | | Length |
|-------------|-------|-------|----------|--------|
| Size | Type | A | B | |
| 6 | Round | 5 7/8 | - | L |
| 7 | Oval | 5 7/8 | 7 1/4 | 24 |
| 8 | Oval | 5 7/8 | 8 3/8 | 36 |
| 9 | Oval | 5 7/8 | 10 | 48 |
| 10 | Oval | 5 7/8 | 11 9/16 | 60 |
| 12 | Oval | 5 7/8 | 14 13/16 | 72 |
| 14 | Oval | 5 7/8 | 17 13/16 | |

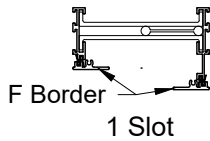
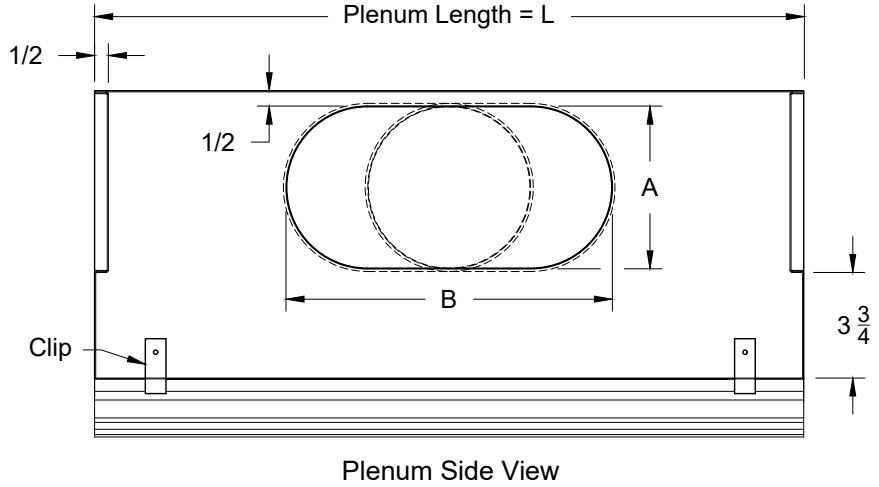
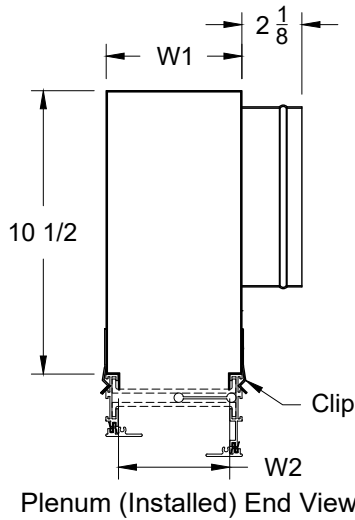
| L = Listed Size ± Linear End Types | | | | | | |
|------------------------------------|------------|-------|-------|-------|-------|-------|
| Model | Frame Type | OO | 1-EC | 2-EC | MM | MO |
| UP-AFL-FH-15 | F | - 1/4 | - 1/4 | - 1/4 | - 1/4 | - 1/4 |

| 1. Available Finishes | 2. Available Accessories | 3. Available Options | 4. Construction Details |
|-----------------------|--|---|---|
| | XG-FODR - Face Operated Damper Rod XG-ID - Inlet Damper XG-LQ - Locking Quadrant Damper XG-ROD - Remote Operated Damper | 1EC - (1) End Cap 2EC - (2) End Caps OO - Open / Open | <ul style="list-style-type: none"> Standard Lengths: 24, 36, 48, 60, 72 Custom Length available for extra charge 12" minimum – 72" maximum NI - No Inlet |

All Dimensions ±1/16"

Model: XG-UP-AFL-FH-20 Linear Diffuser Plenum - 2" Slot - Non Insulated

XG-UP-AFL-FH-20 - 2" Slot - Non Insulated



| Models | Slot Width | Number of Slots | W1 | W2 |
|--------------|------------|-----------------|-------|-------|
| UP-AFL-FH-20 | 2 | 1 | 4 1/4 | 3 1/4 |

| Inlet Chart | | | | Length |
|-------------|-------|-------|----------|--------|
| Size | Type | A | B | |
| 6 | Round | 5 7/8 | - | L |
| 7 | Oval | 5 7/8 | 7 1/4 | 24 |
| 8 | Oval | 5 7/8 | 8 3/8 | 36 |
| 9 | Oval | 5 7/8 | 10 | 48 |
| 10 | Oval | 5 7/8 | 11 9/16 | 60 |
| 12 | Oval | 5 7/8 | 14 13/16 | 72 |
| 14 | Oval | 5 7/8 | 17 13/16 | |

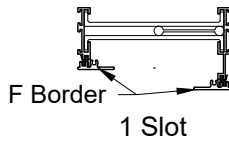
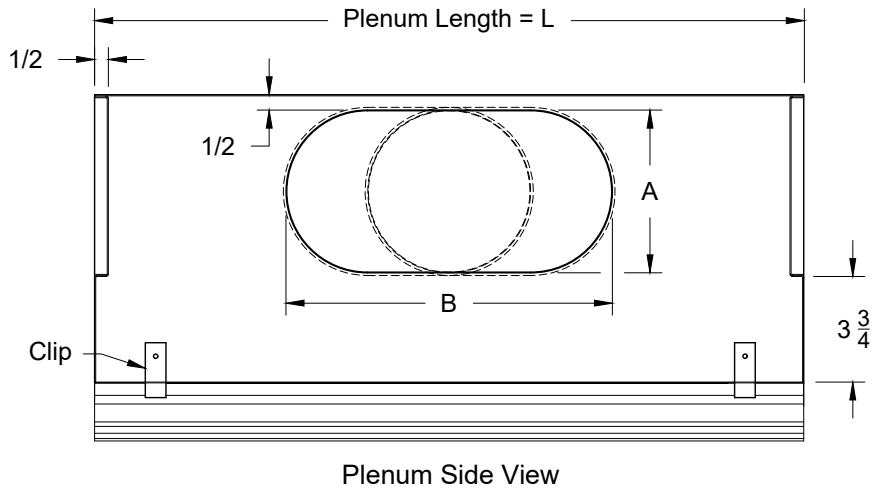
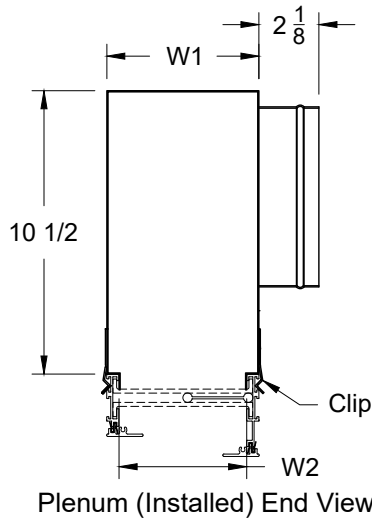
| L = Listed Size ± Linear End Types | | | | | | |
|------------------------------------|------------|-------|-------|-------|-------|-------|
| Model | Frame Type | OO | 1-EC | 2-EC | MM | MO |
| UP-AFL-FH-20 | F | - 1/4 | - 1/4 | - 1/4 | - 1/4 | - 1/4 |

| 1. Available Finishes | 2. Available Accessories | 3. Available Options | 4. Construction Details |
|-----------------------|--|---|---|
| | XG-FODR - Face Operated Damper Rod XG-ID - Inlet Damper XG-LQ - Locking Quadrant Damper XG-ROD - Remote Operated Damper | 1EC - (1) End Cap 2EC - (2) End Caps OO - Open / Open | <ul style="list-style-type: none"> Standard Lengths: 24, 36, 48, 60, 72 Custom Length available for extra charge 12" minimum – 72" maximum NI - No Inlet |

All Dimensions ±1/16"

Model: XG-UP-AFL-FH-25 Linear Diffuser Plenum - 2 1/2" Slot - Non Insulated

XG-UP-AFL-FH-25 - 2 1/2" Slot - Non Insulated



| Models | Slot Width | Number of Slots | W1 | W2 |
|--------------|------------|-----------------|-------|-------|
| UP-AFL-FH-25 | 2 1/2 | 1 | 5 3/4 | 4 3/4 |

| Inlet Chart | | | | Length |
|-------------|-------|-------|----------|--------|
| Size | Type | A | B | |
| 6 | Round | 5 7/8 | - | L |
| 7 | Oval | 5 7/8 | 7 1/4 | 24 |
| 8 | Oval | 5 7/8 | 8 3/8 | 36 |
| 9 | Oval | 5 7/8 | 10 | 48 |
| 10 | Oval | 5 7/8 | 11 9/16 | 60 |
| 12 | Oval | 5 7/8 | 14 13/16 | 72 |
| 14 | Oval | 5 7/8 | 17 13/16 | |

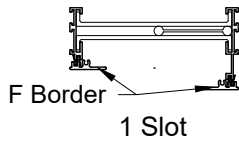
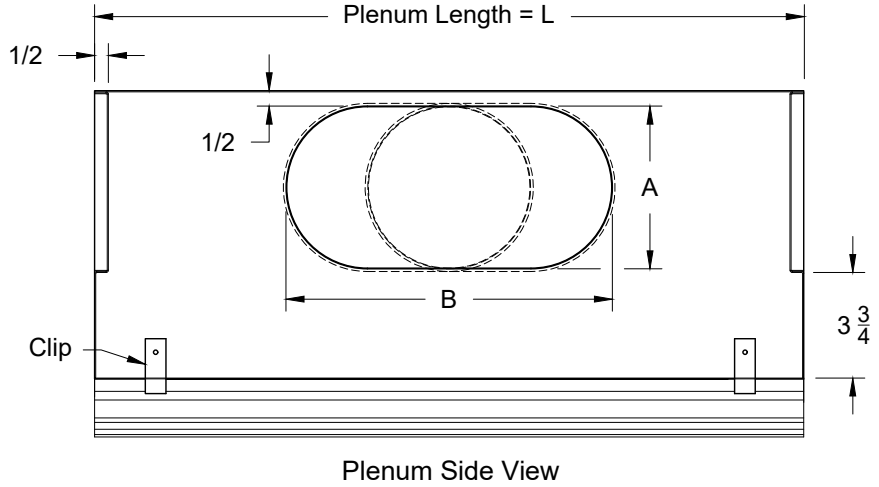
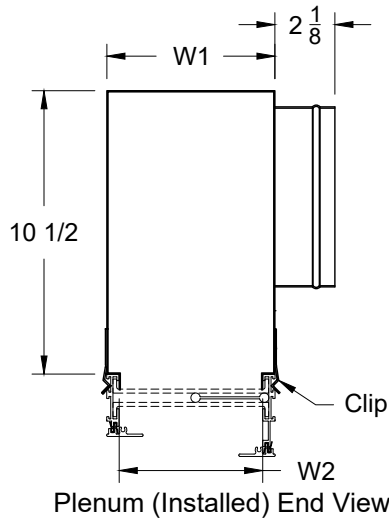
| L = Listed Size ± Linear End Types | | | | | | |
|------------------------------------|------------|-------|-------|-------|-------|-------|
| Model | Frame Type | OO | 1-EC | 2-EC | MM | MO |
| UP-AFL-FH-25 | F | - 1/4 | - 1/4 | - 1/4 | - 1/4 | - 1/4 |

| 1. Available Finishes | 2. Available Accessories | 3. Available Options | 4. Construction Details |
|-----------------------|--|---|---|
| | XG-FODR - Face Operated Damper Rod XG-ID - Inlet Damper XG-LQ - Locking Quadrant Damper XG-ROD - Remote Operated Damper | 1EC - (1) End Cap 2EC - (2) End Caps OO - Open / Open | <ul style="list-style-type: none"> Standard Lengths: 24, 36, 48, 60, 72 Custom Length available for extra charge 12" minimum – 72" maximum NI - No Inlet |

All Dimensions ±1/16"

Model: XG-UP-AFL-FH-30 Linear Diffuser Plenum - 3" Slot - Non Insulated

XG-UP-AFL-FH-30 - 3" Slot - Non Insulated



| Models | Slot Width | Number of Slots | W1 | W2 |
|--------------|------------|-----------------|-------|-------|
| UP-AFL-FH-30 | 3 | 1 | 6 1/4 | 5 1/4 |

| Inlet Chart | | | |
|-------------|-------|-------|----------|
| Size | Type | A | B |
| 6 | Round | 5 7/8 | - |
| 7 | Oval | 5 7/8 | 7 1/4 |
| 8 | Oval | 5 7/8 | 8 3/8 |
| 9 | Oval | 5 7/8 | 10 |
| 10 | Oval | 5 7/8 | 11 9/16 |
| 12 | Oval | 5 7/8 | 14 13/16 |
| 14 | Oval | 5 7/8 | 17 13/16 |

| Length |
|--------|
| L |
| 24 |
| 36 |
| 48 |
| 60 |
| 72 |

| L = Listed Size ± Linear End Types | | | | | | |
|------------------------------------|------------|-------|-------|-------|-------|-------|
| Model | Frame Type | OO | 1-EC | 2-EC | MM | MO |
| UP-AFL-FH-30 | F | - 1/4 | - 1/4 | - 1/4 | - 1/4 | - 1/4 |

| 1. Available Finishes | 2. Available Accessories | 3. Available Options | 4. Construction Details |
|-----------------------|--|---|---|
| | XG-FODR - Face Operated Damper Rod XG-ID - Inlet Damper XG-LQ - Locking Quadrant Damper XG-ROD - Remote Operated Damper | 1EC - (1) End Cap 2EC - (2) End Caps OO - Open / Open | <ul style="list-style-type: none"> Standard Lengths: 24, 36, 48, 60, 72 Custom Length available for extra charge 12" minimum – 72" maximum NI - No Inlet |

All Dimensions ±1/16"