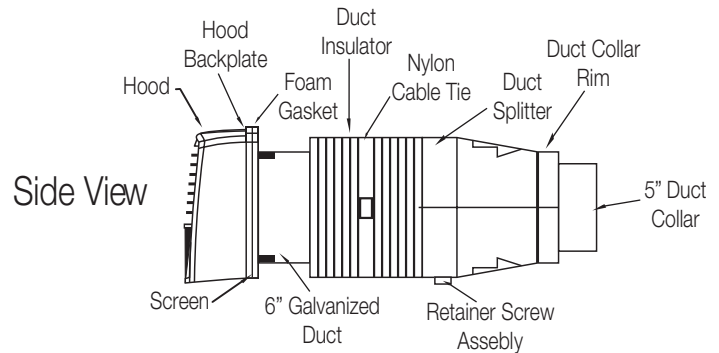


## Assembly Instructions

Please read these instructions carefully before attempting to assemble, install, operate or maintain the product described. Protect yourself and others by observing all safety information. Failure to comply with instructions could result in personal injury and/or property damage!

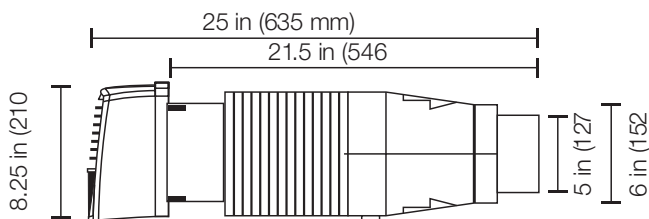


### Required Tools:

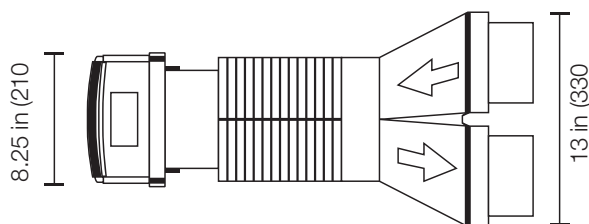
- Waterproof sealant (silicone)
- (4) #8 Wood Screws, with countersunk head (minimum 1.5" long)
- OR
- (4) 3/16" diameter concrete screw with countersunk head (minimum 1/5" long)

### Installation Requirements:

- Minimum 6" away from dryer vents, furnace exhaust, driveways, oil fill pipes, gas meters or garbage containers
- At least 18" above the ground or the above the depth of expected snow accumulation
- At least 3' from the corner of a building
- Do not locate in a garage, attic or crawl space



Side View



Top View

### Pressure Drop

The ERV Dual Intake and Exhaust Hood Kit offers the benefit of requiring only one 6" (152 mm) hole in the exterior wall (as opposed to two separate weatherhoods) to complete the connections for fresh air intake and stale air exhaust. The pressure drop/airflow charts should be referred to when matching the Dual Intake and Exhaust Hood to the ERV. The Dual Intake and Exhaust Hood Kit is compatible with 5" or 6" diameter duct.

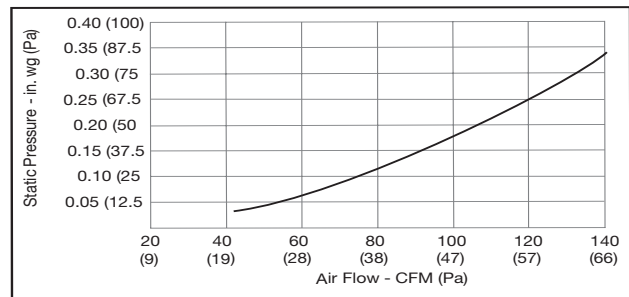


Figure 25. Intake Airflow Chart

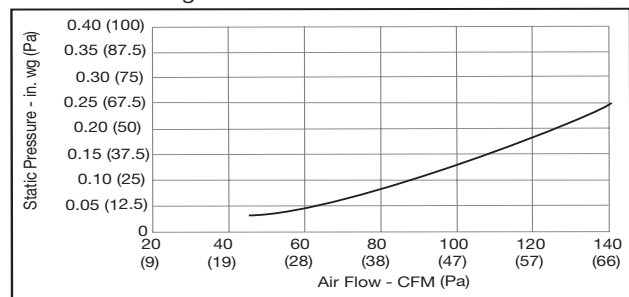


Figure 26. Exhaust Airflow Chart

## Install Steps:

1. Cut a 6" diameter hole in the exterior wall of the building. The top of the hole should be a minimum of 1" from the bottom of the floor above.
2. a. Remove the hood cover from the backplate.  
b. Slide the foam gasket around the 6" galvanized duct with the white side of the gasket towards the backplate. Align and insert the rounded side of the foam gasket into the rounded side of the backplate.
3. a. Insert the 6" galvanized duct through the hole cut in the exterior wall. Slide in until the backplate is flush with the exterior wall (curved side up).  
b. Level the backplate and drill four holes in the exterior wall.  
c. Seal the backplate with exterior weatherproof sealant and screw in place.  
d. Line up and hold the screen in place using the guidelines.  
e. Snap on hood cover.
4. For 5" ducting, attach the two insulated 5" ducts from the unit over the 5" duct collar. Secure the insulation to the 6" duct splitter collar rim.  
  
For 6" ducting, secure the insulated 6" ducts from the unit over the 6" duct splitter collar rim.
5. Apply a generous bead of silicone around the 6" galvanized duct at the interior wall. Silicone the groove of the internal divider located inside the 6" galvanized duct. And silicone around the outer edge of the 6" galvanized duct.
6. a. Attach the duct splitter over the 6" galvanized duct. Be sure the pieces align with the holes located on the underside of the duct splitter and 6" galvanized duct.  
b. Insert and attach the retainer screw assembly until it seats in the pre-punched hole in the galvanized pipe. The nylon should be flush with the foam. Screw until secure (3 to 4 turns).

## Install Steps Cont:

7. a. Measure the distance from the interior wall to the duct splitter.  
b. Line up the two halves of the duct insulator to fit together.  
c. Use the blade knife to cut both halves of the duct insulator to the measured distance.
8. a. Silicone the concave side and both ends of the duct insulator.  
b. Align the cut ends of the duct insulators towards the exterior wall and wrap the two halves of the insulator around the exposed 6" galvanized duct.  
c. Secure the duct insulator with the nylon cable tie.

### CAUTION

Sealant must be applied as per instructions or leakage and condensation may occur.

### ATTENTION

Insulate the Fresh Air Supply and Stale Air Exhaust ductwork back to the unit.

## Our Commitment

*As a result of our commitment to continuous improvement, Greenheck reserves the right to change specifications without notice.*

Specific Greenheck product warranties are located on [greenheck.com](http://greenheck.com) within the product area tabs and in the Library under Warranties.



Phone: 1-800-984-8713 #6 • E-mail: [residentialventilation@greenheck.com](mailto:residentialventilation@greenheck.com) • Website: [www.greenheck.com](http://www.greenheck.com)