

Quick Start Guide

RSQ HOOD ASSEMBLY



RSQ IOM



Parts List

- (1) Fan
- (1) Hood kit
 - Structure and panels
 - (2) End angles
 - (2) End panels with hood panels attached
 - Hood panels
 - (2) Hood rails
 - Support angles
 - (4) Size 18-33
- Birdscreen
 - (2) Long birdscreen
 - (2) Short birdscreen
- Filter tracks (optional, replaces birdscreen)
 - (2) Filter end angles
 - (4) Side filter tracks
 - End filter tracks
 - (2) Size 7-27
 - (4) Size 30-33
- Fastener kit
 - (1) Size 7-16
 - (2) Size 18-33

Tools List

- Impact driver
- 1/2 inch nut driver
- 5/16 inch nut driver
- (2) 9/16 inch wrench

- Hood components are shipped knocked down and are mounted to the fan in the field
- This Quick Start Guide does not replace the Installation Operation Manual (IOM), refer to the IOM for more information
- Installation process for supply and exhaust units are the same
- All fastener installations should use a rubber grommet unless otherwise noted



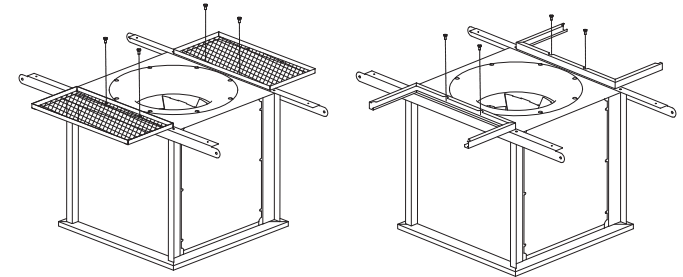
Step 1 – Rotate the Fan

- ENSURE ROTATING THE UNIT WILL NOT CAUSE DAMAGE TO THE FAN, SURROUNDINGS, OR ROOF. USE PROPER EQUIPMENT, LIFTING TECHNIQUES, AND SAFETY MEASURES TO AVOID INJURY OR DAMAGE TO THE FAN OR SURROUNDINGS. THE MANUFACTURER IS NOT LIABLE FOR ANY DAMAGES THAT MAY OCCUR DURING THIS PROCESS
- Rotate the fan vertically so the curb cap will sit flush on the curb. The holes located in the heavy gauge rails on the top four corners of the fan can be used as lifting points to assist in rotating the unit

Step 2 – Install Hood Rails and Short Birdscreen or End Filter Tracks

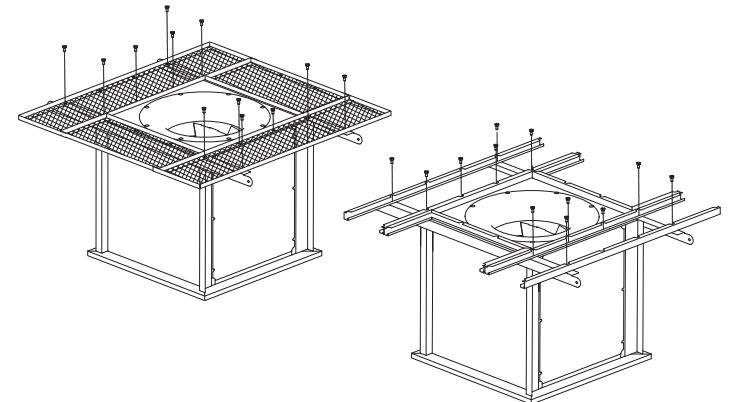
- **NOTE:** For larger fan sizes, end filter tracks may be divided into two sections per-side
- Place the hood rail along the top edge of the fan without access doors
- Place the birdscreen panel or end filter track over the hood rail

- Align the holes in the hood rail and the birdscreen panel or end filter track with the pilot holes in the top of the fan
- Mount the components using the provided 5/16-inch fasteners



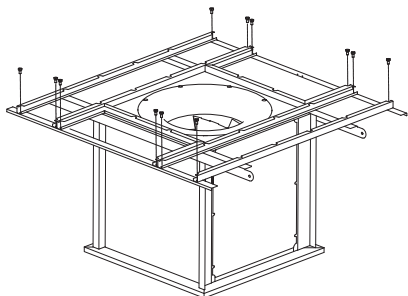
Step 3 – Install Long Birdscreen or Side Filter Tracks

- **NOTE:** When mounting the birdscreen or side filter tracks to only the hood rails, use sheet metal screws. 5/16-inch fasteners will be used when mounting through the birdscreen or side filter tracks, hood rails, and fan
- Place the birdscreen or filter tracks across the opposing hood rails, aligning the holes in the birdscreen or side filter tracks with the holes in the hood rails and fan
- Attach the birdscreen or side filter tracks



Step 4 (Filtered Units Only) – Install Filter End Angles

- Mount the filter end angles to the free-hanging ends of the filter tracks with the short flange down and away from the filter tracks using the provided sheet metal screws



Step 5 (Filtered Units Only) – Install Filters

- Slide the filters into the filter tracks ensuring all flow direction arrows on filters point upward
- TAKE CARE NOT TO DAMAGE THE FILTERS THROUGH THE ASSEMBLY PROCESS

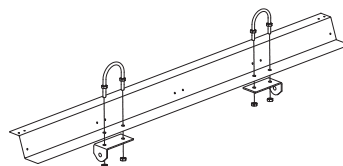
Fan Size	End Filter		Side Filter	
	Size	Qty.	Size	Qty.
7	5-1/2 x 11-3/8	2	23-1/4 x 5-3/4	2
9	9-5/8 x 15	2	35-1/4 x 6-1/4	2
12	8-1/8 x 18-1/4	2	35-1/4 x 7-1/4	2
15	12-1/4 x 22	2	23-5/8 x 6-3/4	4
16	11-1/4 x 24	2	23-5/8 x 9-3/4	4
18	15-7/8 x 26-1/2	2	29-5/8 x 8-1/8	4
20	14-5/8 x 29-1/8	2	29-5/8 x 12-3/8	4
22	19-1/8 x 32	2	35-5/8 x 11	4
24	17-1/2 x 35-1/2	2	35-5/8 x 15-3/4	4
27	21-3/4 x 38-7/8	2	27-3/4 x 14-7/8	6
30	19-3/4 x 21-1/4	4	27-3/4 x 19-1/2	6
33	23-1/2 x 23-3/8	4	31-3/4 x 19-5/8	6

All dimensions in inches.



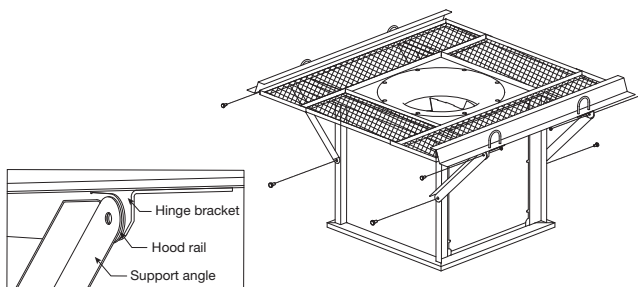
Step 6 – Install Hinge Brackets and U-Bolts to Z-Channels

- Using the provided U-bolts and nuts, attach the two hinge brackets and U-bolts to the holes in each of the hood Z-channels as seen in illustration. No rubber grommets are required



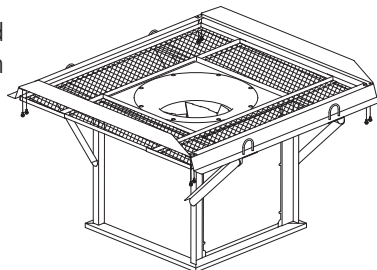
Step 7 – Install Z-Channel on Hood Rails

- (Sizes 18-33 only) Mount the support angle to the fan using the holes halfway down the height of the fan using 5/16-inch fasteners
- Align the hole in the small flange of the hinge bracket with the hole at the end of the hood rail and the support angle (if applicable)
- Attach the three parts using the provided nuts and bolts. No rubber grommets are required



Step 8 – Attach Hood End Angles

- Attach the hood end angles from below using the provided sheet metal screws



Step 9 – Attach Hood Panels

- NOTE:** Overlapping flanges improve hood weatherproofing and strength. Start with the hood panel with the end panel attached equipped with the male flange
- Place the hood panel with end panel attached and male flange at one end of the hood over the end angle and z-channels
- Mount the end panel to the end angle using the provided sheet metal screws
- Place hood panel with female flange over the male flange on the initial hood panel
- Repeat previous step until the opposite hood panel with the end panel attached is placed (See table for panel quantity)
- Mount the other end panel to the opposite end angle
- Using the provided sheet metal screws, fasten all holes to connect each hood panel to the z-channels

Fan Size	Hood Panels
7	2
9	3
12	3
15	4
16	4
18	5
20	5
22	6
24	6
27	7
30	7
33	8

