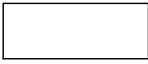


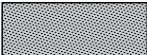





Product Features:

- Includes cube core center panel for additional supply air
- The cube core center area is provided with a steel OBD as a standard feature to allow for adjusting flow from fully vertical to fully horizontal throw
- All units include our APD Air Pattern Deflectors as a standard feature allowing for complete manual field adjustment of throw patterns
- Available for Lay-in T-Bar or Beveled Drop Surface Mounting
- Optional un-insulated or insulated plenum boxes are also available
- Available Sizes Only as Listed

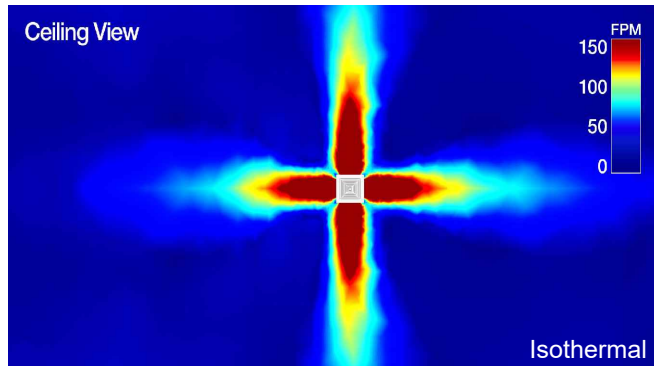
Finishes

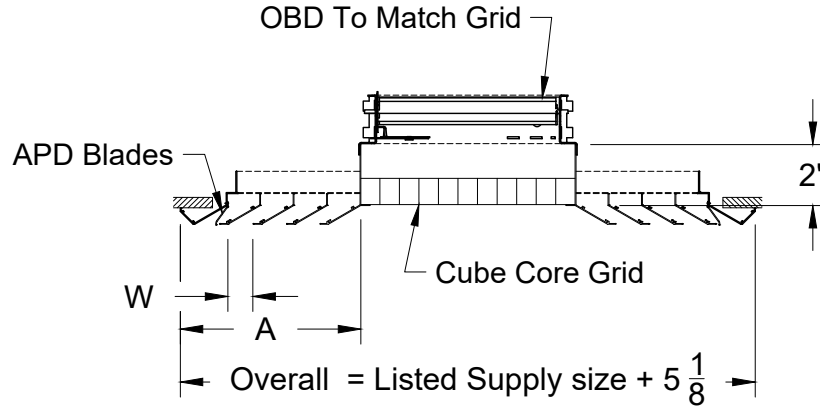
01 - White ¹ 	03 - Black 	¹ White Finish is suitable for a primer coat if field painting is required.
02 - Satin Silver 	24 - Mill 	
28 - Custom Color 		

Optional Accessories:

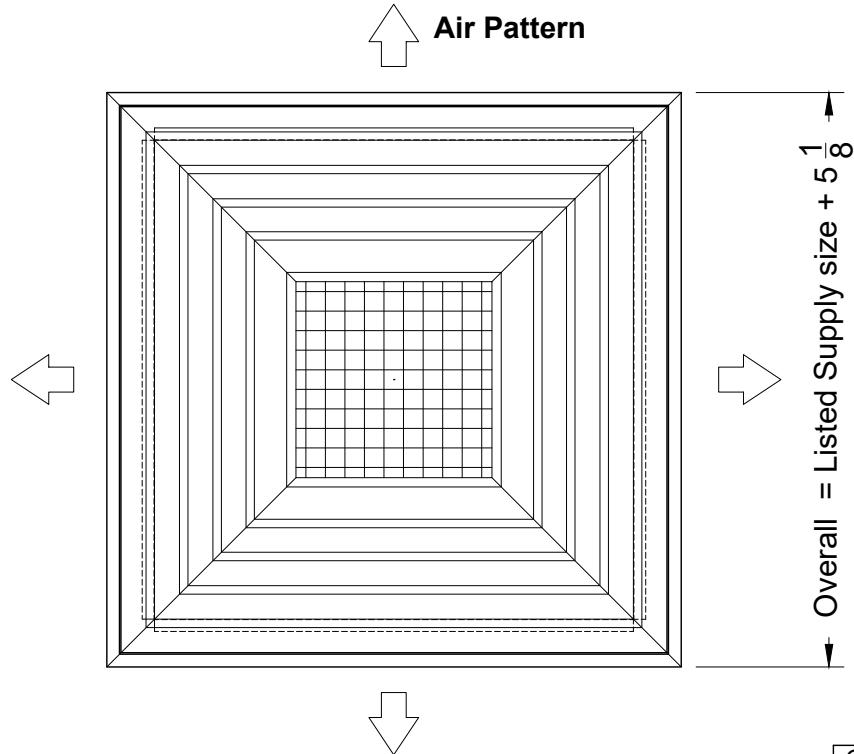
-  OBD - Steel Opposed Blade Damper
-  OBDA - Aluminum Opposed Blade Damper

CFD Throw Pattern Visualization





Side View

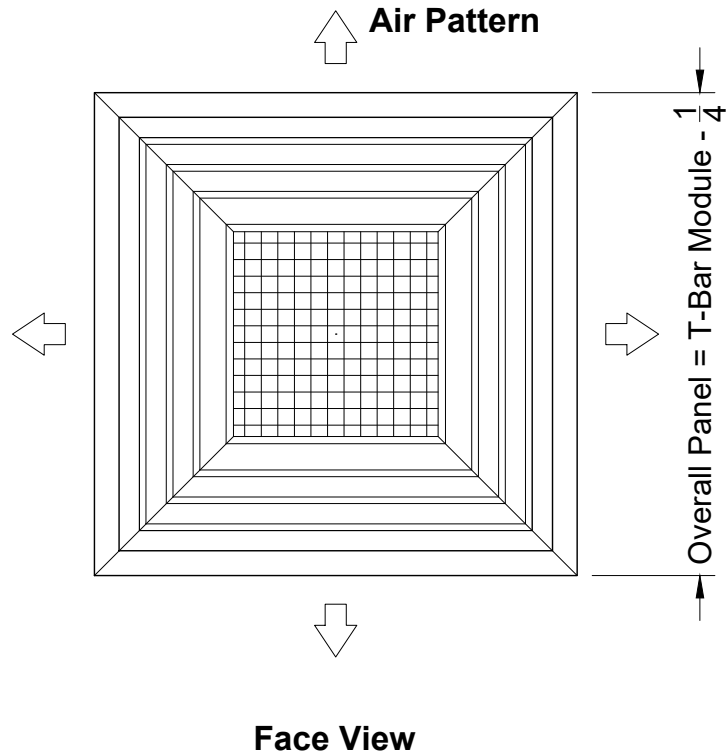
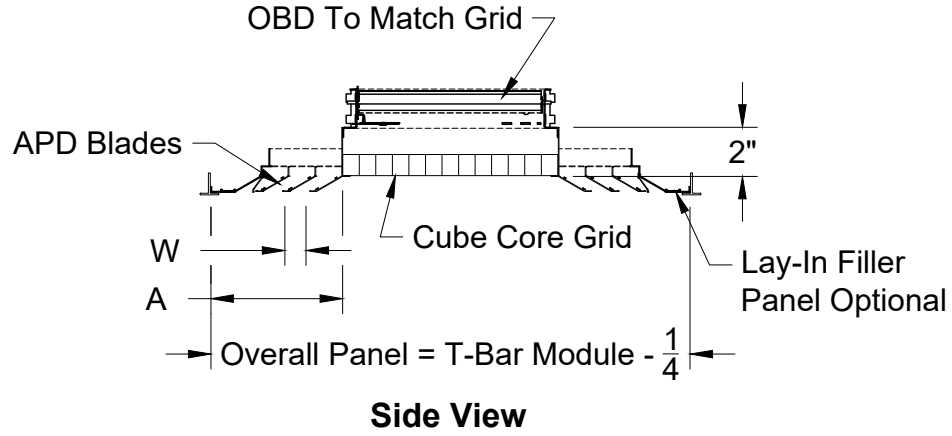


Face View

Cube Core
9 x 9
12 x 12

Model	W	1 Slot	2 Slot	3 Slot	4 Slot
		A	A	A	A
CDDCA-2	1 1/8	3 5/16	4 13/16	6 5/16	7 13/16

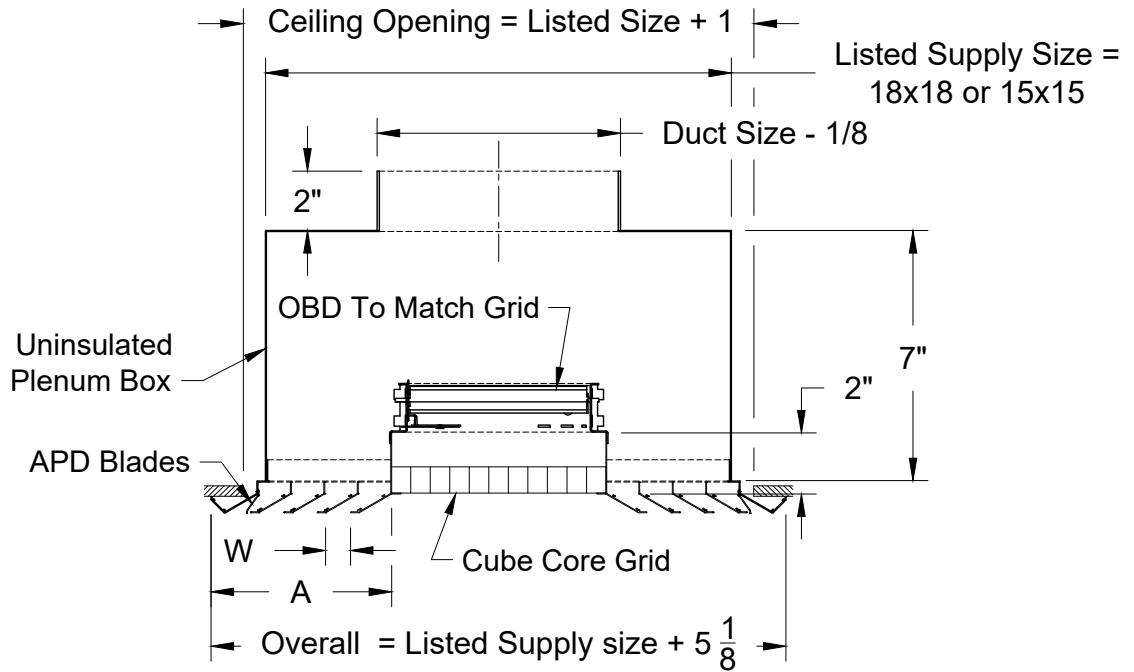
Note: This product complies with NFPA 90A-18 standard 4.3.7.3.2 and 4.3.8.3.2 and is constructed with openings through which a 1/2" sphere can not pass.



Cube Core
9 x 9
12 x 12

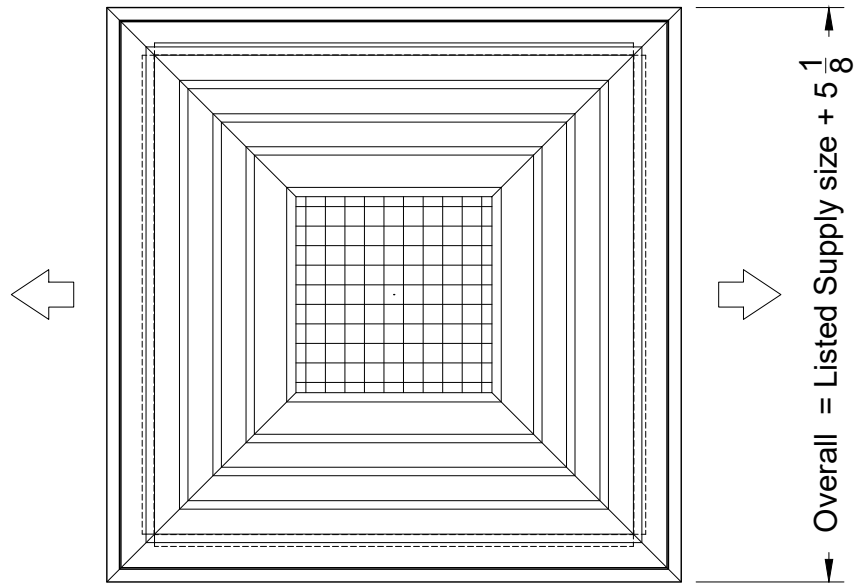
Model	W	1 Slot	2 Slot	3 Slot	4 Slot
		A	A	A	A
CDDCA-6	1 1/8	3 5/16	4 13/16	6 5/16	7 13/16

Note: This product complies with NFPA 90A-18 standard 4.3.7.3.2 and 4.3.8.3.2 and is constructed with openings through which a 1/2" sphere can not pass.



Side View

↑ Air Pattern



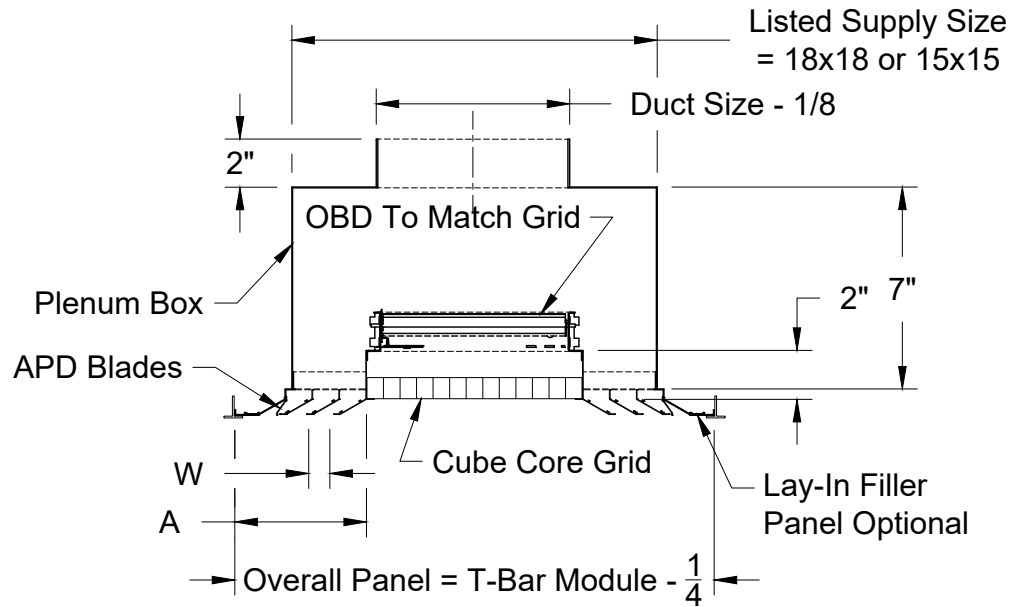
Face View

Cube Core
9 x 9
12 x 12

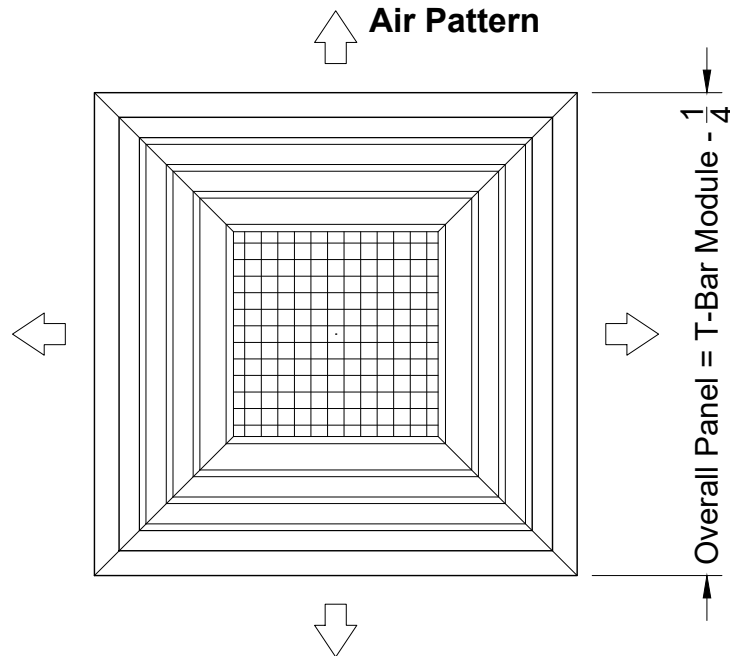
Model	W	1 Slot	2 Slot	3 Slot	4 Slot
		A	A	A	A
CDDCA-2 PB	1 1/8	3 5/16	4 13/16	6 5/16	7 13/16

Note:
CDDCA-2 PBI - Internally Insulated
CDDCA-2 PBEI - Externally Insulated

Note: This product complies with NFPA 90A-18 standard 4.3.7.3.2 and 4.3.8.3.2 and is constructed with openings through which a 1/2" sphere can not pass.



Side View



Face View

Cube Core
9 x 9
12 x 12

Model	W	1 Slot	2 Slot	3 Slot	4 Slot
		A	A	A	A
CDDCA-6 PB	1 1/8	3 5/16	4 13/16	6 5/16	7 13/16

Note:

CDDCA-6 PBI - Internally Insulated
 CDDCA-6 PBEI - Externally Insulated

Note: This product complies with NFPA 90A-18 standard 4.3.7.3.2 and 4.3.8.3.2 and is constructed with openings through which a 1/2" sphere can not pass.