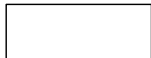


Product Features:

- The unique horizontal lip on all sides of the diffuser face provides a horizontal air pattern that is tight to the ceiling.
- Available in both supply and return
- Supply unit constructed with extruded aluminum face and steel backpan
- Shipped fully assembled and is designed to allow the ceiling tile to be installed (by others) from the face without having to remove the plenum. This means the center tile can be installed after the diffuser has been installed in the ceiling
- Return units include steel light shield/baffle
- Offered in a wide variety of border styles and slot configurations
- Available with 1 to 4 slots
- Available Sizes Only as Listed
- Insulation available as either External or Internal

Finishes

01 - White¹

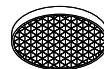


28 - Custom Color



¹ White Finish is suitable for a primer coat if field painting is required.

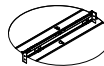
Optional Accessories:



G3 - Equalizing Grid (Round)

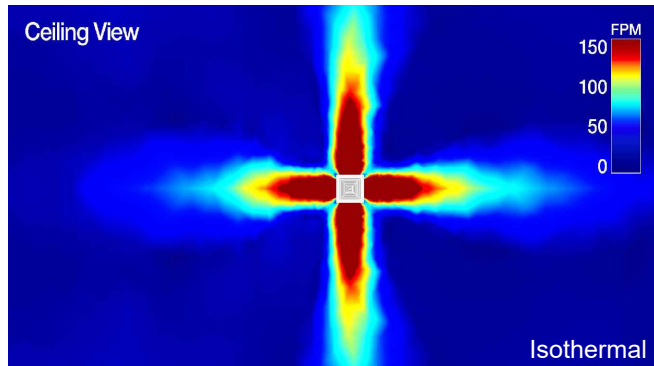


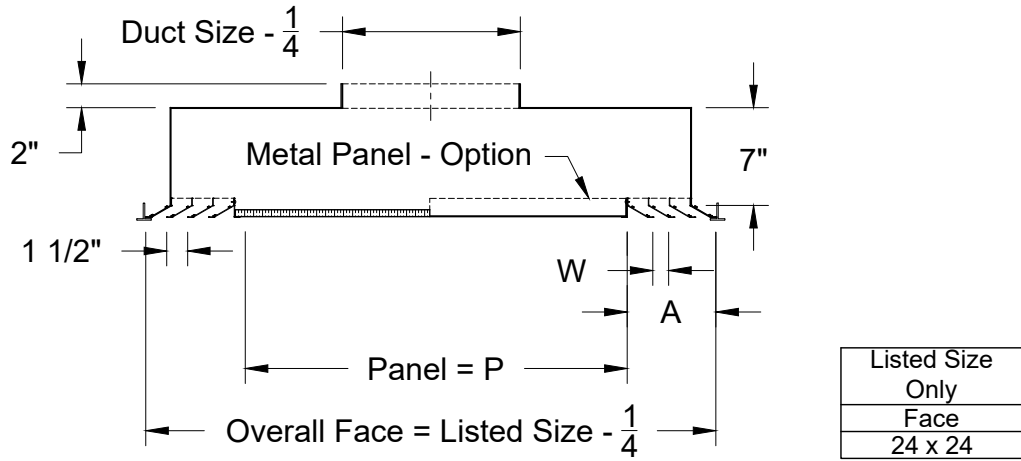
RSD - Radial Shutter Damper



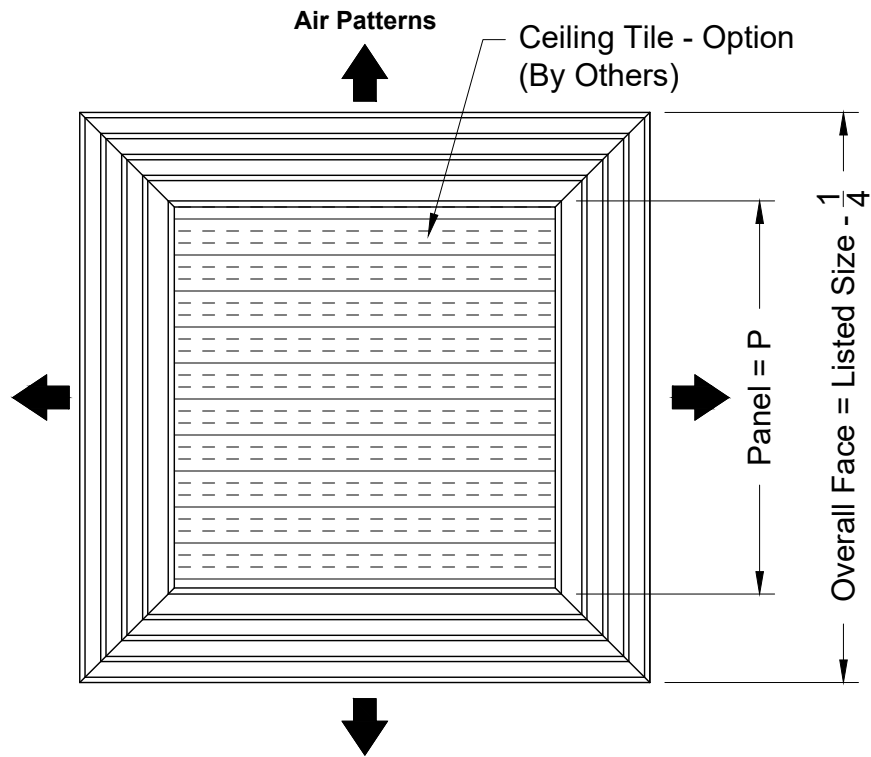
BDS - Butterfly Damper

CFD Throw Pattern Visualization





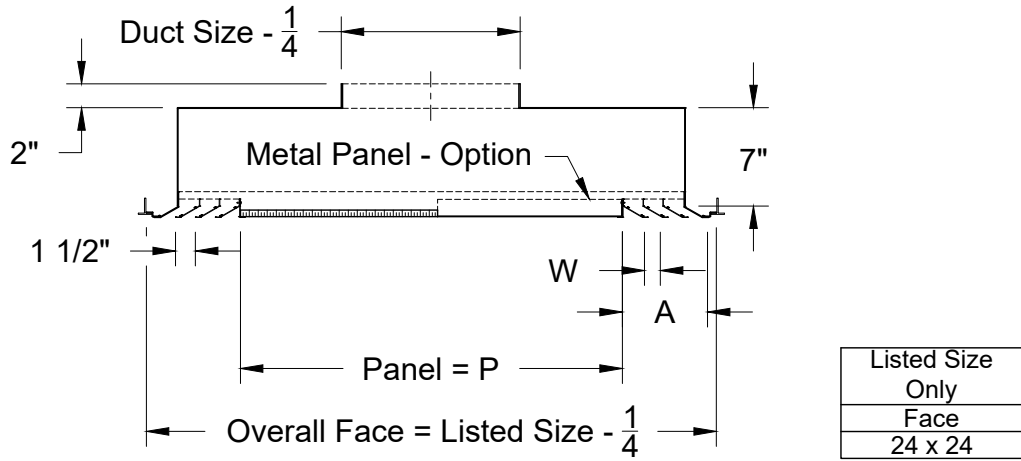
Side View



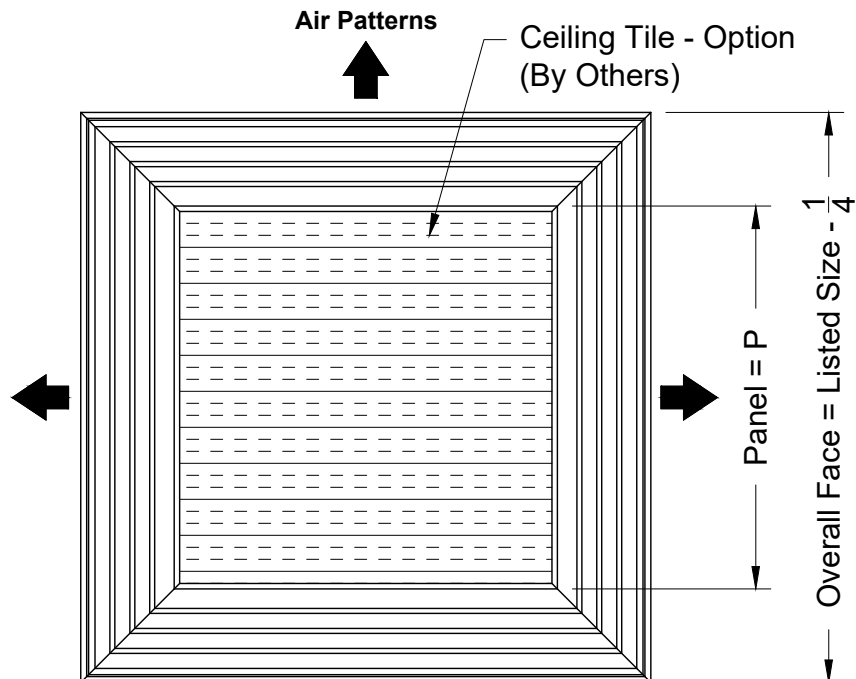
Face View

Model	W	1 Slot		2 Slot		3 Slot		4 Slot	
		A	P	A	P	A	P	A	P
CDD-SQA-6	1 1/8	3 5/16	17 1/8	4 13/16	14 1/8	6 5/16	11 1/8	7 13/16	8 1/8

Note: This product complies with NFPA 90A-18 standard 4.3.7.3.2 and 4.3.8.3.2 and is constructed with openings through which a 1/2" sphere can not pass.



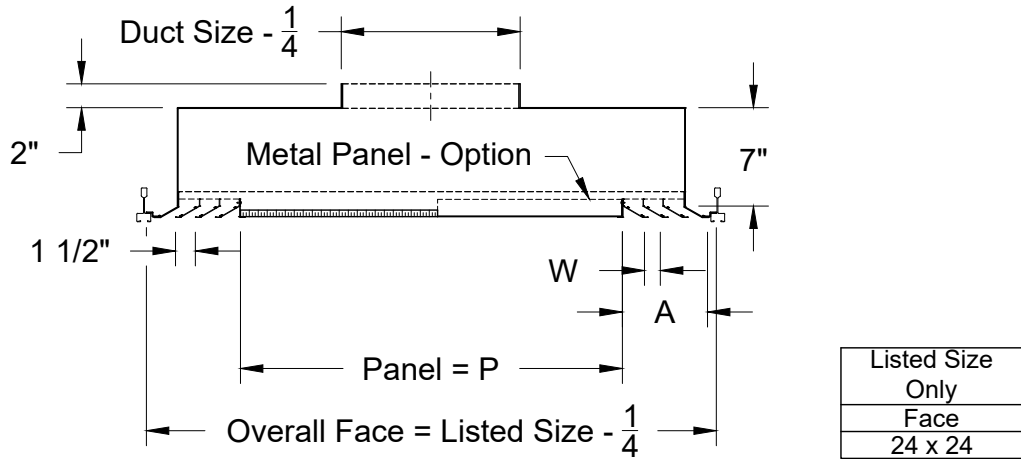
Side View



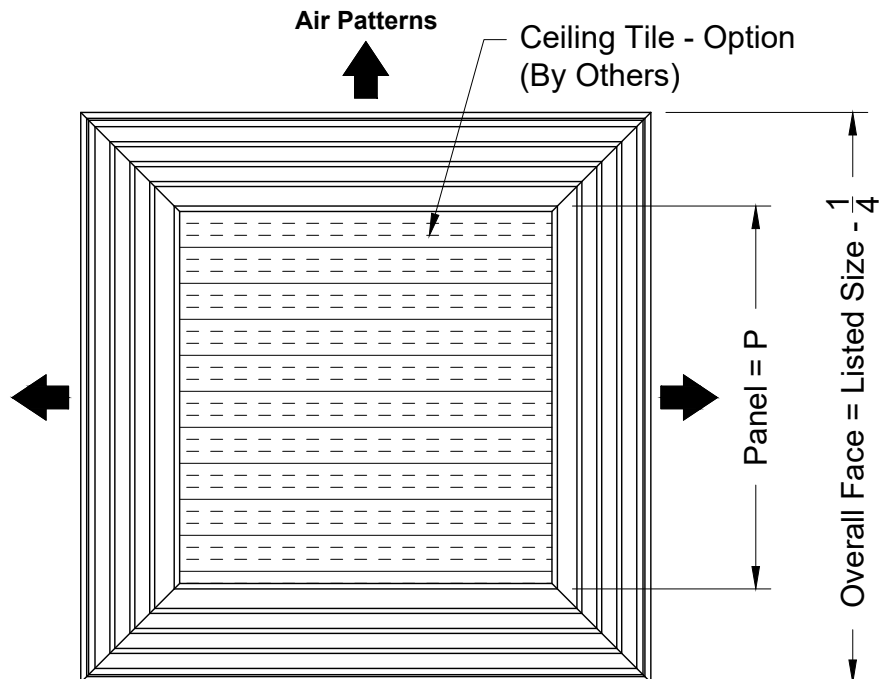
Face View

Model	W	1 Slot		2 Slot		3 Slot		4 Slot	
		A	P	A	P	A	P	A	P
CDD-SQA-8	1 1/8	3 5/16	17 1/8	4 13/16	14 1/8	6 5/16	11 1/8	7 13/16	8 1/8

Note: This product complies with NFPA 90A-18 standard 4.3.7.3.2 and 4.3.8.3.2 and is constructed with openings through which a 1/2" sphere can not pass.



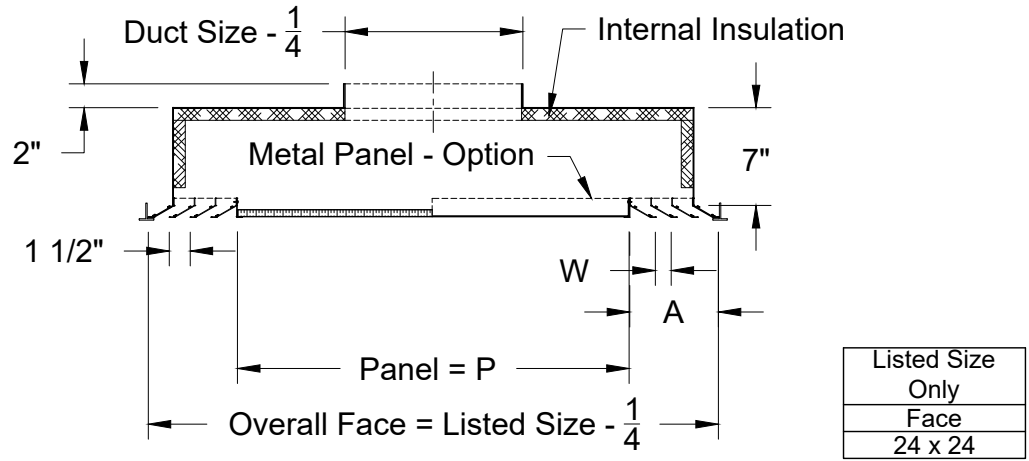
Side View



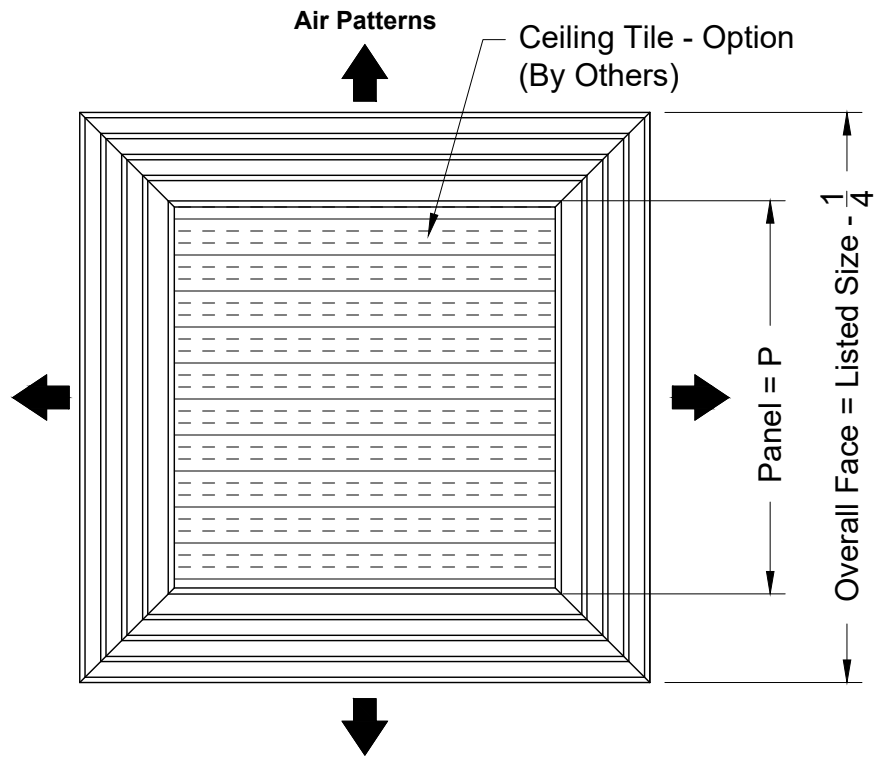
Face View

Model	W	1 Slot		2 Slot		3 Slot		4 Slot	
		A	P	A	P	A	P	A	P
CDD-SQA-9	1 1/8	3 5/16	17 1/8	4 13/16	14 1/8	6 5/16	11 1/8	7 13/16	8 1/8

Note: This product complies with NFPA 90A-18 standard 4.3.7.3.2 and 4.3.8.3.2 and is constructed with openings through which a 1/2" sphere can not pass.



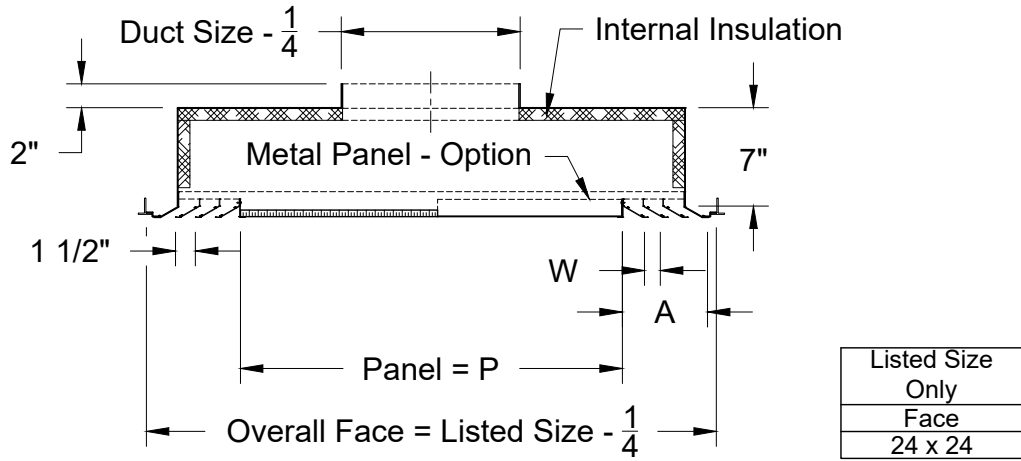
Side View



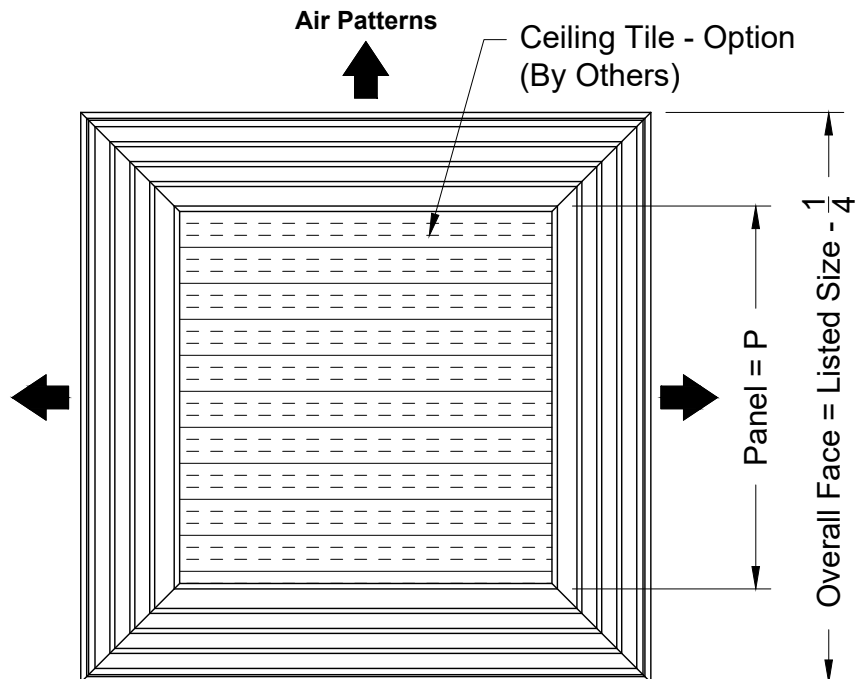
Face View

Model	W	1 Slot		2 Slot		3 Slot		4 Slot	
		A	P	A	P	A	P	A	P
CDD-SQA-6 I	1 1/8	3 5/16	17 1/8	4 13/16	14 1/8	6 5/16	11 1/8	7 13/16	8 1/8

Note: This product complies with NFPA 90A-18 standard 4.3.7.3.2 and 4.3.8.3.2 and is constructed with openings through which a 1/2" sphere can not pass.



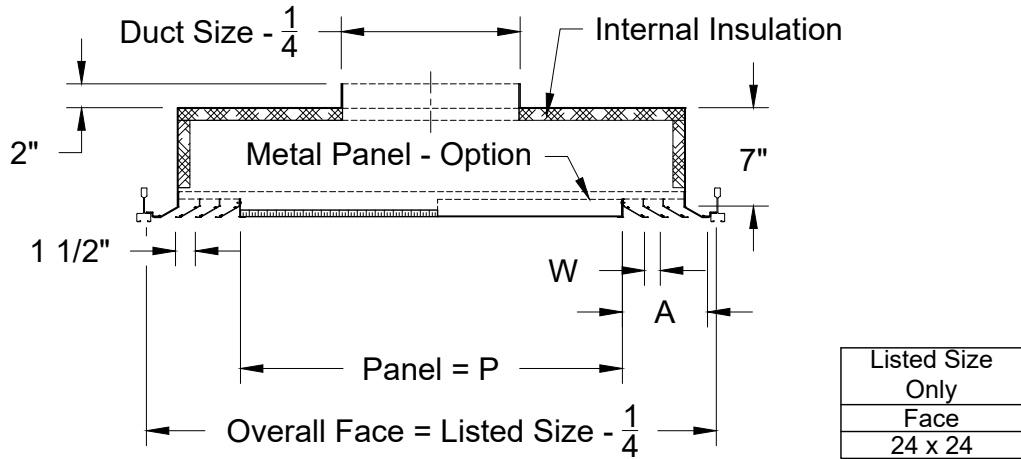
Side View



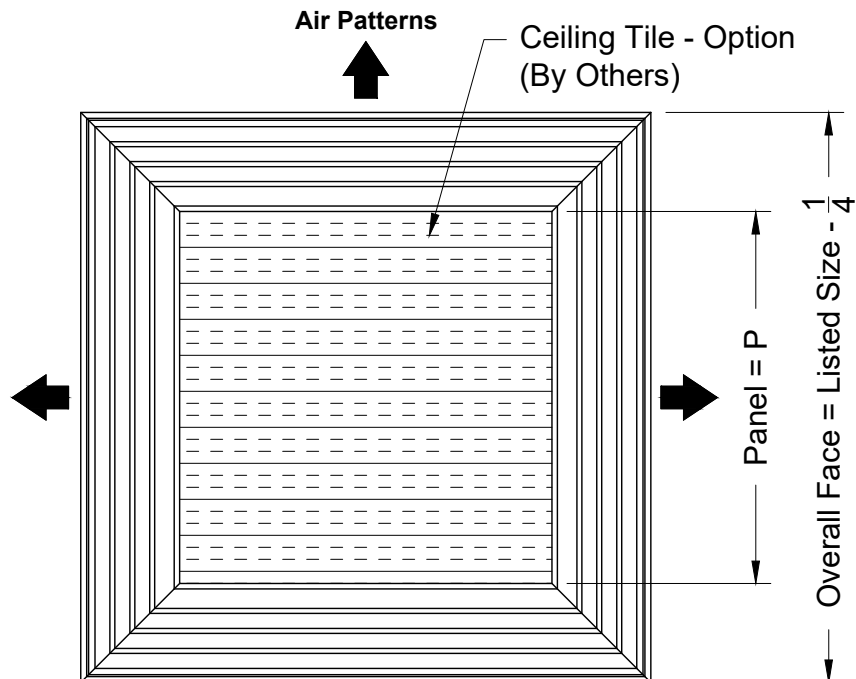
Face View

Model	W	1 Slot		2 Slot		3 Slot		4 Slot	
		A	P	A	P	A	P	A	P
CDD-SQA-8 I	1 1/8	3 5/16	17 1/8	4 13/16	14 1/8	6 5/16	11 1/8	7 13/16	8 1/8

Note: This product complies with NFPA 90A-18 standard 4.3.7.3.2 and 4.3.8.3.2 and is constructed with openings through which a 1/2" sphere can not pass.



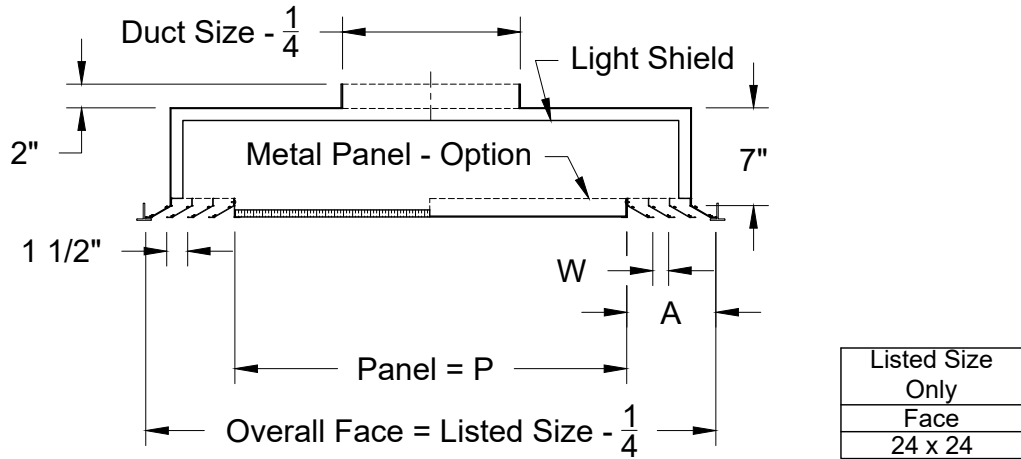
Side View



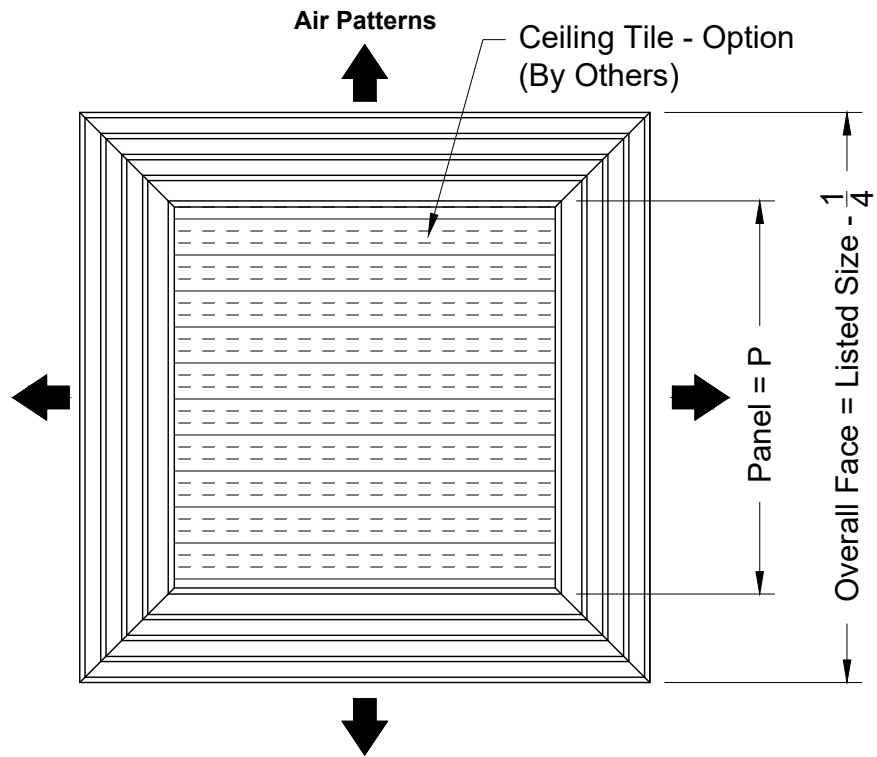
Face View

Model	W	1 Slot		2 Slot		3 Slot		4 Slot	
		A	P	A	P	A	P	A	P
CDD-SQA-9 I	1 1/8	3 5/16	17 1/8	4 13/16	14 1/8	6 5/16	11 1/8	7 13/16	8 1/8

Note: This product complies with NFPA 90A-18 standard 4.3.7.3.2 and 4.3.8.3.2 and is constructed with openings through which a 1/2" sphere can not pass.



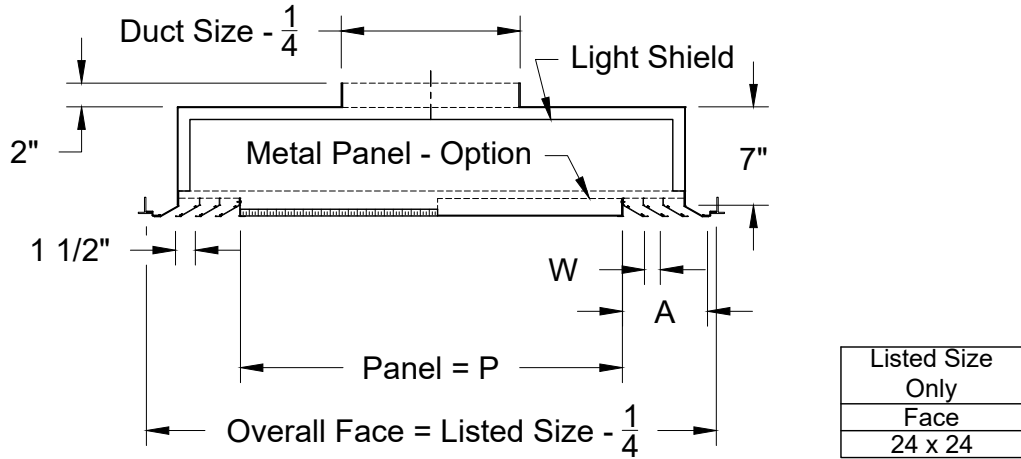
Side View



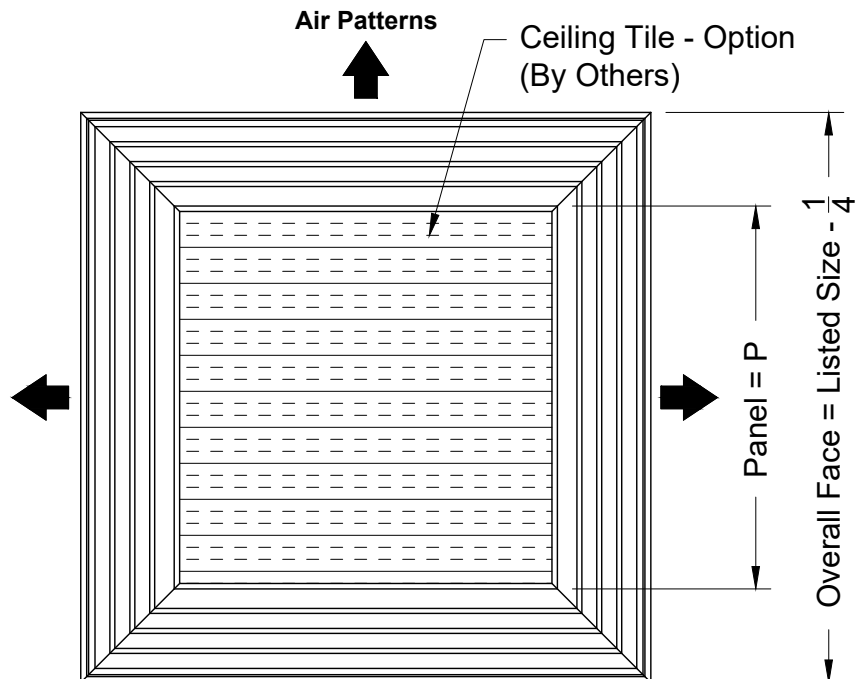
Face View

Model	W	1 Slot		2 Slot		3 Slot		4 Slot	
		A	P	A	P	A	P	A	P
CDD-SQA-R-6	1 1/8	3 5/16	17 1/8	4 13/16	14 1/8	6 5/16	11 1/8	7 13/16	8 1/8

Note: This product complies with NFPA 90A-18 standard 4.3.7.3.2 and 4.3.8.3.2 and is constructed with openings through which a 1/2" sphere can not pass.



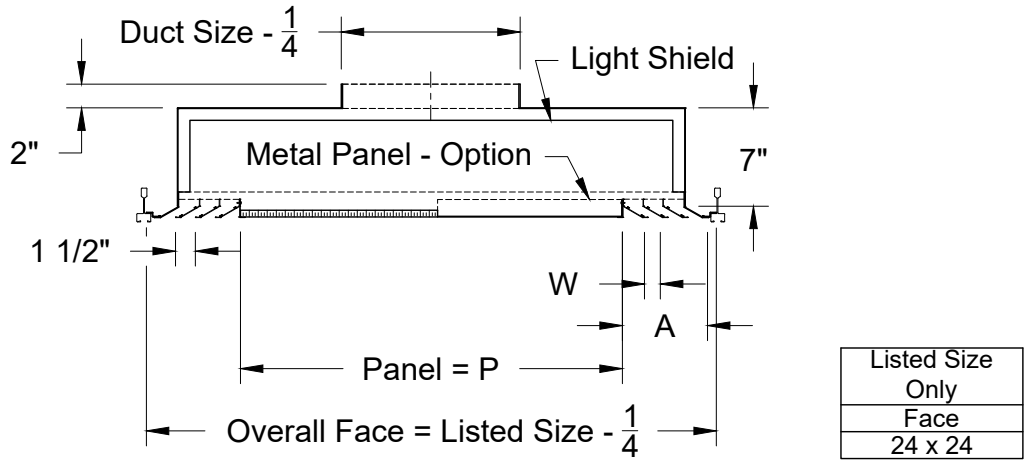
Side View



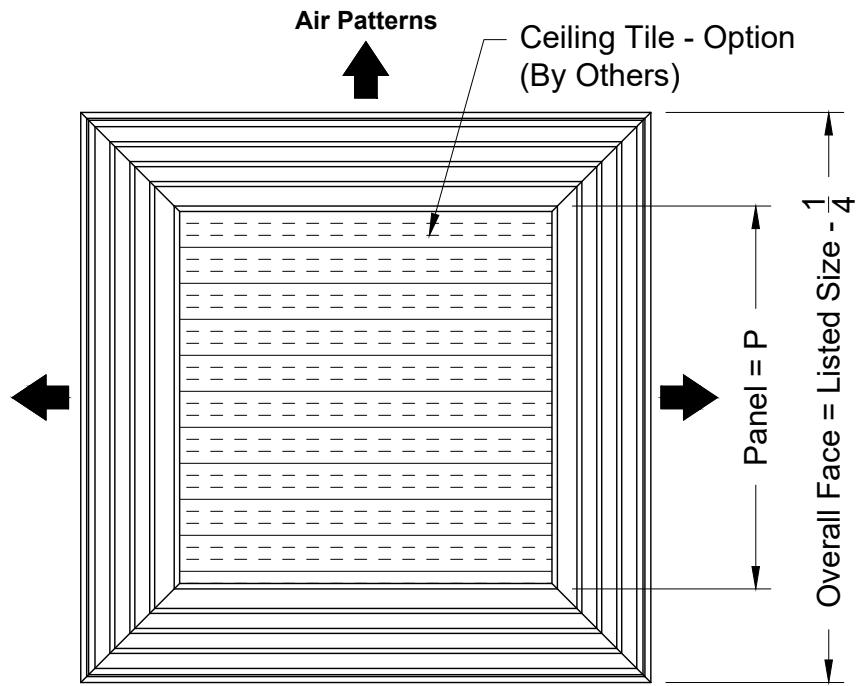
Face View

Model	W	1 Slot		2 Slot		3 Slot		4 Slot	
		A	P	A	P	A	P	A	P
CDD-SQA-R-8	1 1/8	3 5/16	17 1/8	4 13/16	14 1/8	6 5/16	11 1/8	7 13/16	8 1/8

Note: This product complies with NFPA 90A-18 standard 4.3.7.3.2 and 4.3.8.3.2 and is constructed with openings through which a 1/2" sphere can not pass.



Side View



Face View

Model	W	1 Slot		2 Slot		3 Slot		4 Slot	
		A	P	A	P	A	P	A	P
CDD-SQA-R-9	1 1/8	3 5/16	17 1/8	4 13/16	14 1/8	6 5/16	11 1/8	7 13/16	8 1/8

Note: This product complies with NFPA 90A-18 standard 4.3.7.3.2 and 4.3.8.3.2 and is constructed with openings through which a 1/2" sphere can not pass.