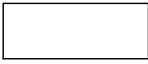


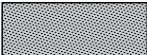

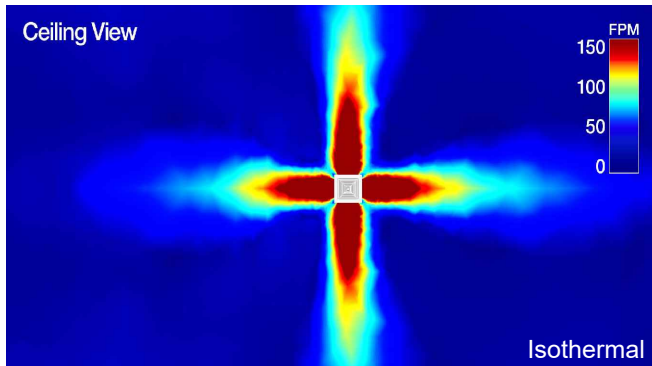

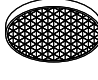




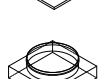

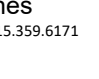

Product Features:

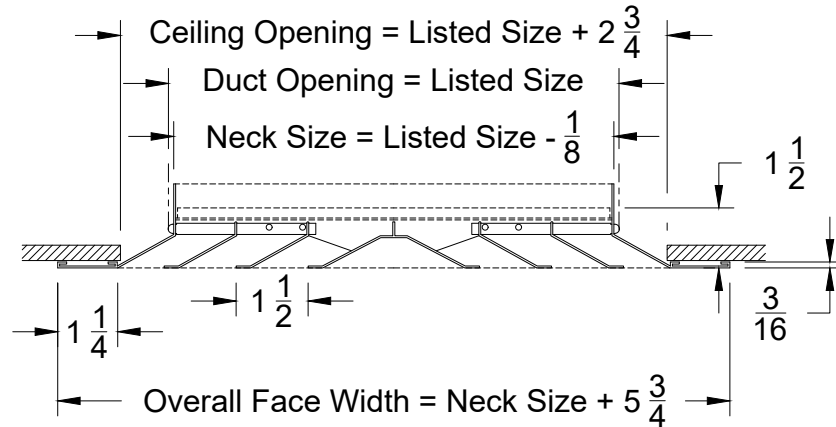
- Available Sizes Only as Listed
- Available in Aluminum and Steel
- Available in 1, 2-way opposite, 2-way corner, 3, and 4-way directional air patterns
- Provides optimum airflow performance for high induction applications
- Cores are easy to remove with spring loaded latches - no tools required
- Available with optional induction vanes (IV Option)
- Available with air pattern deflectors to help adjust the amount of airflow from each side (APD Option)

Finishes

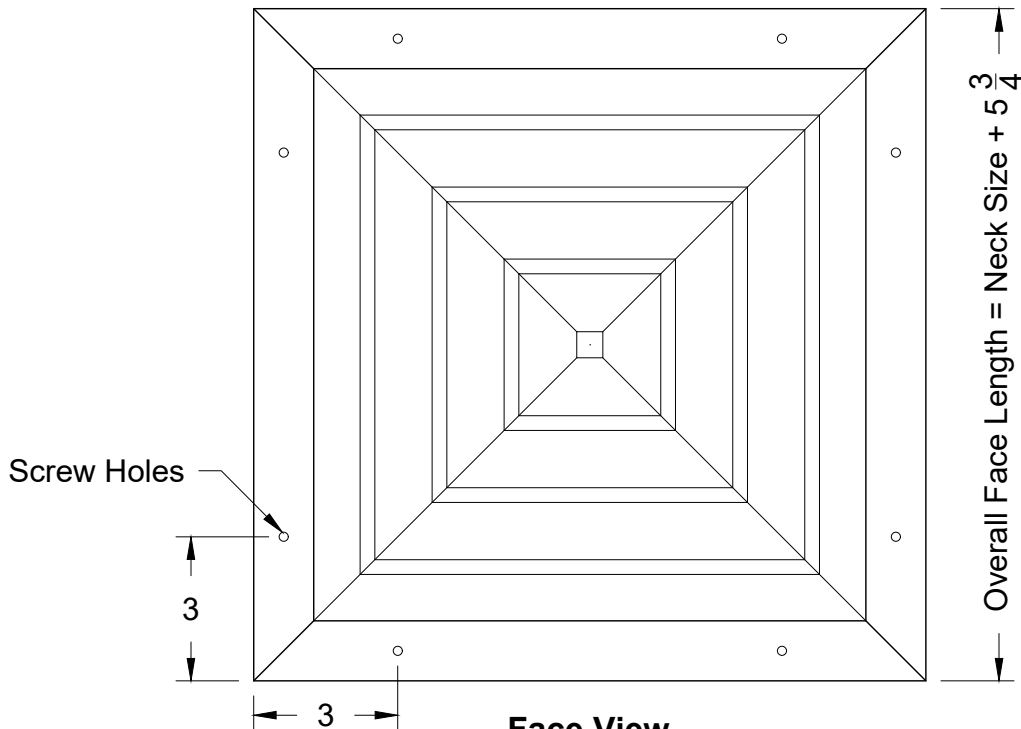
01 - White ¹ 	03 - Black 	¹ White Finish is suitable for a primer coat if field painting is required.
02 - Satin Silver 	24 - Mill 	
28 - Custom Color 		

CFD Throw Pattern Visualization

Optional Accessories:

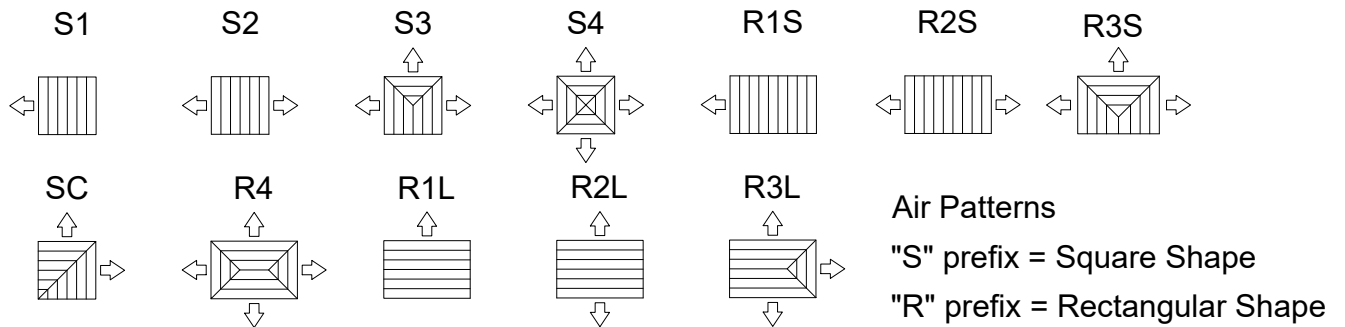
-  D5 - Steel Opposed Blade Damper
-  D5A - Aluminum Opposed Blade Damper
-  G3 - Equalizing Grid (Round)
-  L9 - Equalizing Grid (Square/Rectangle)
-  RSD - Radial Shutter Damper
-  TBPF - T-Bar Plaster Frame
-  LIPF - Lay-In Plaster Frame
-  TR - Square to Round Transition
-  TR-Deep - Deep Transition



Side View



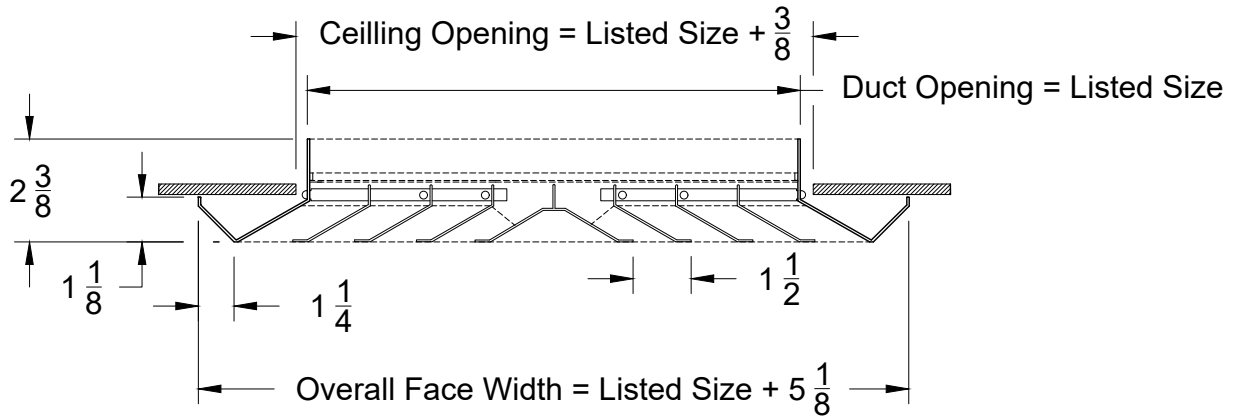
Face View



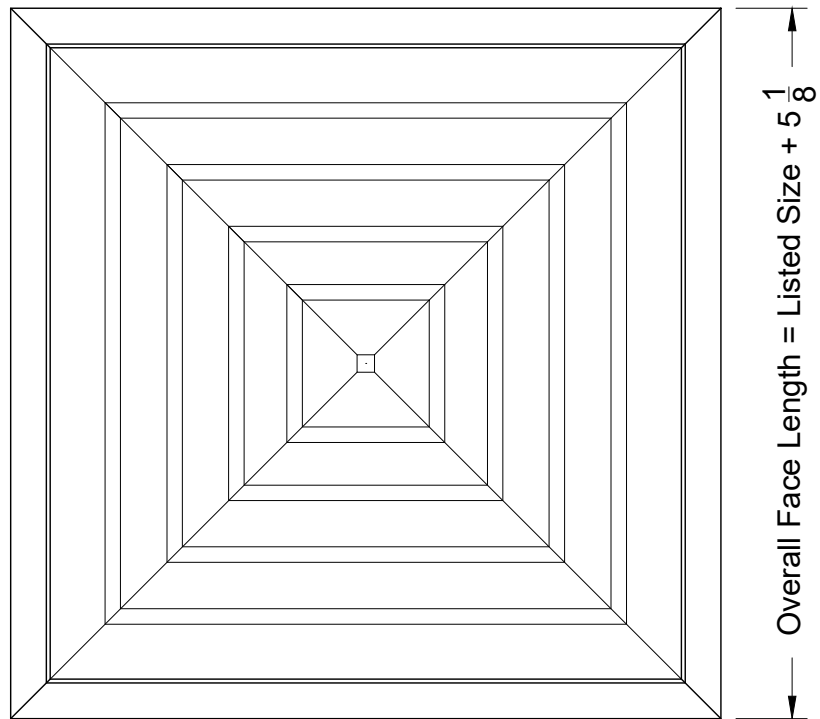
Unit shows the Face Screw Mounting (FSM) option.

For surface mount applications, face screw mounting is recommended.

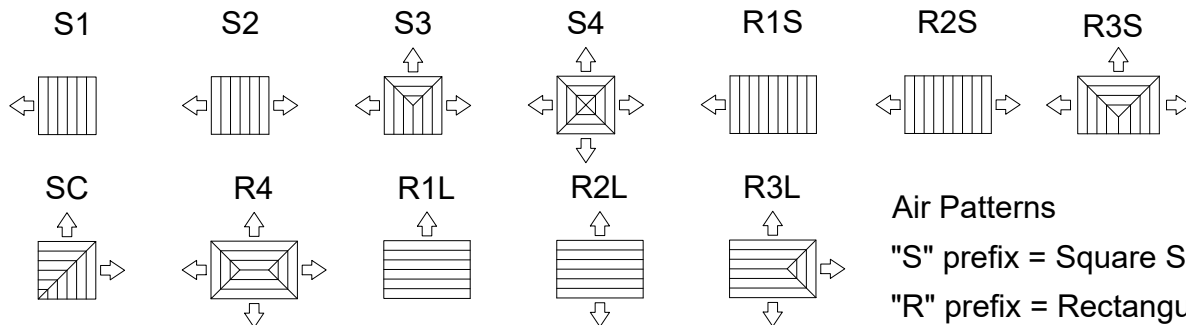
Note: This product complies with NFPA 90A-18 standard 4.3.7.3.2 and 4.3.8.3.2 and is constructed with openings through which a 1/2" sphere can not pass.



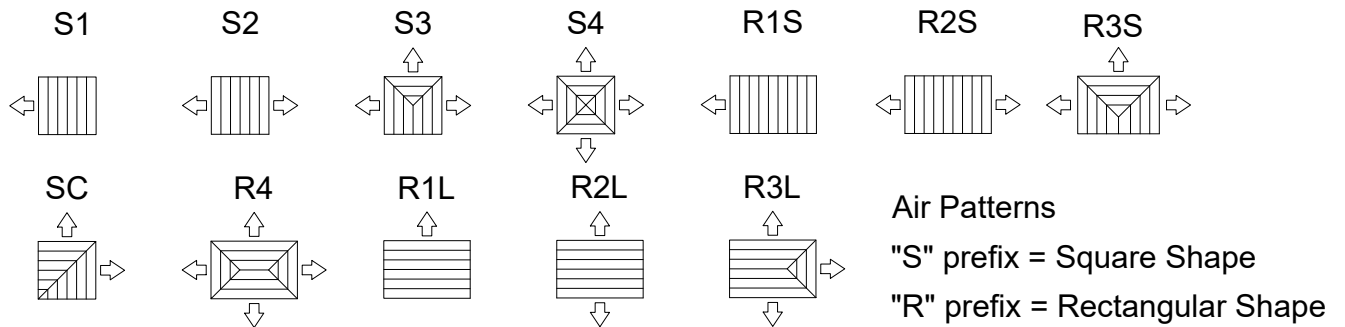
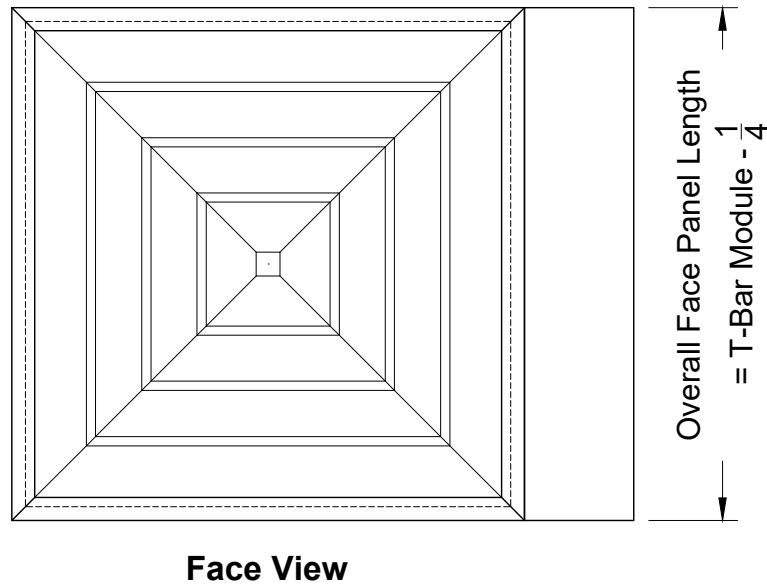
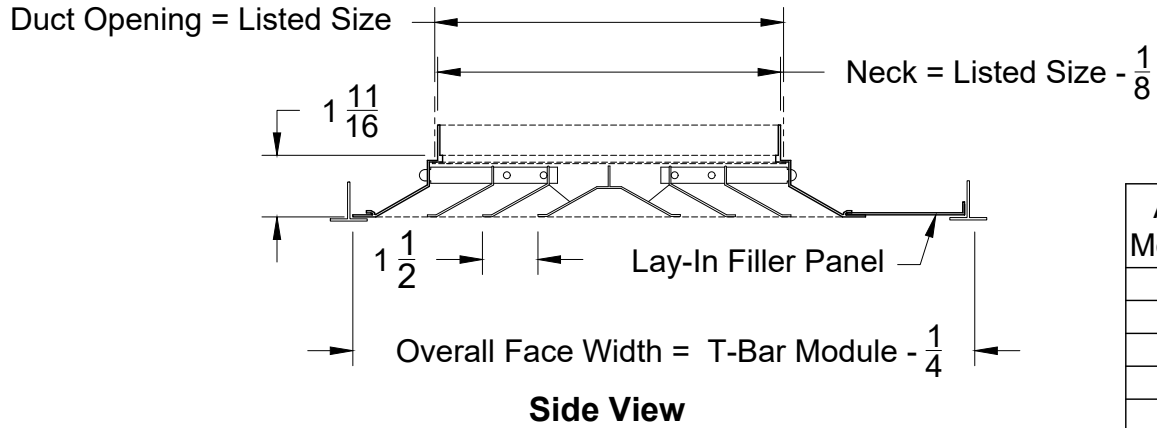
Side View



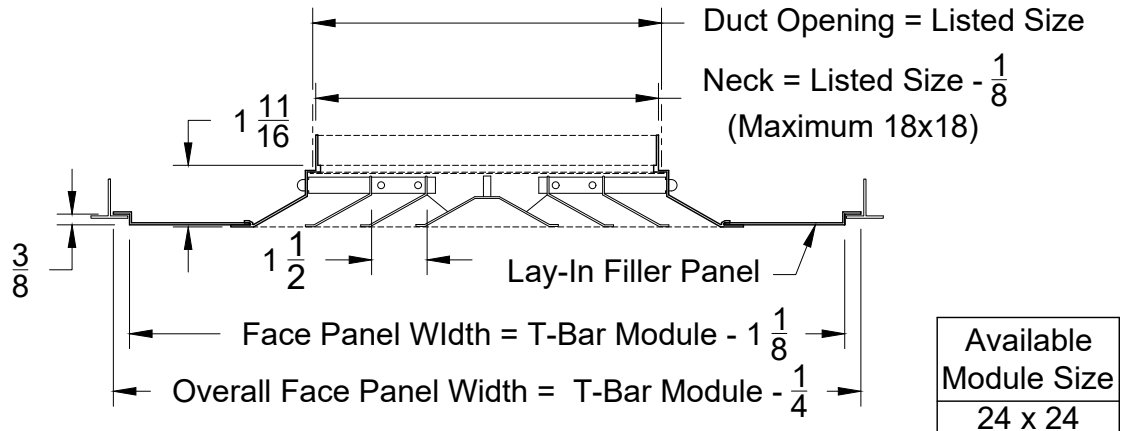
Face View



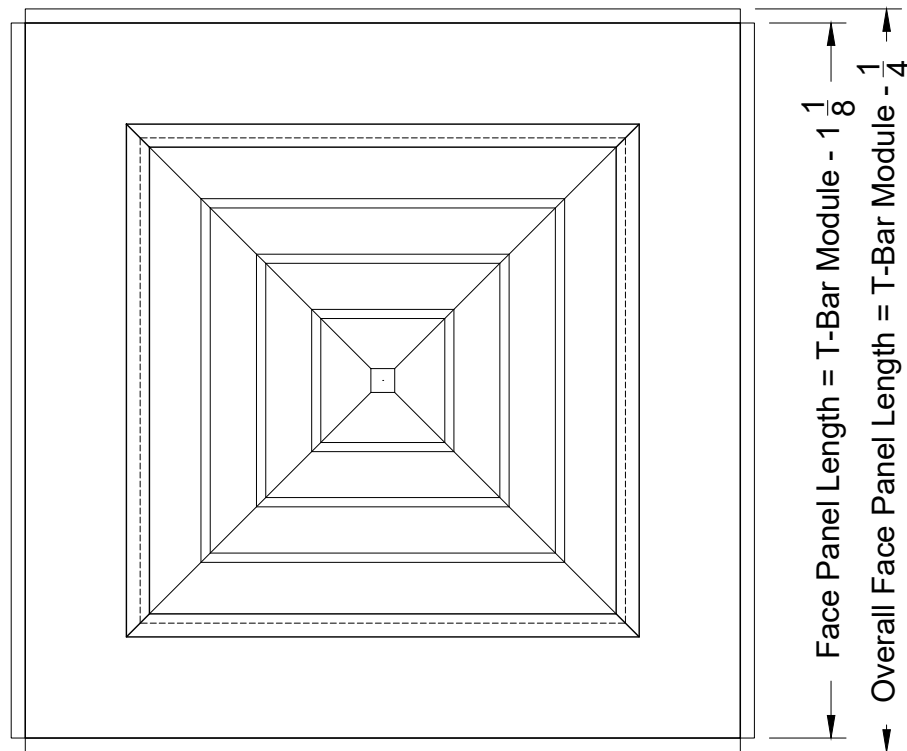
Note: This product complies with NFPA 90A-18 standard 4.3.7.3.2 and 4.3.8.3.2 and is constructed with openings through which a 1/2" sphere can not pass.



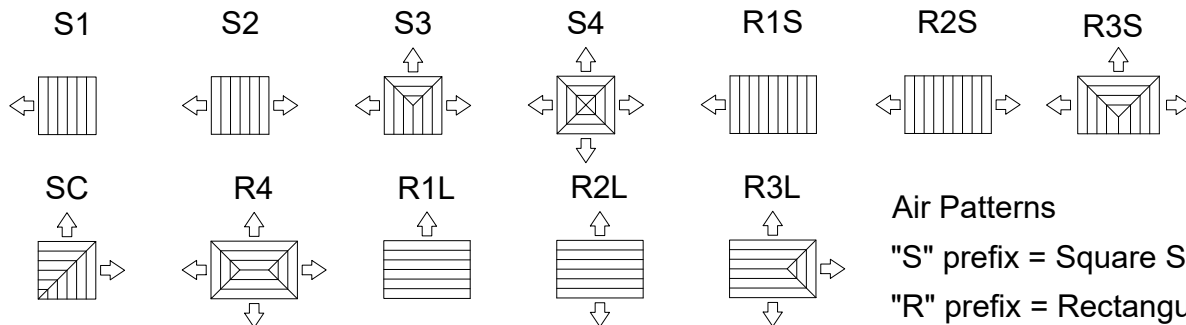
Note: This product complies with NFPA 90A-18 standard 4.3.7.3.2 and 4.3.8.3.2 and is constructed with openings through which a 1/2" sphere can not pass.



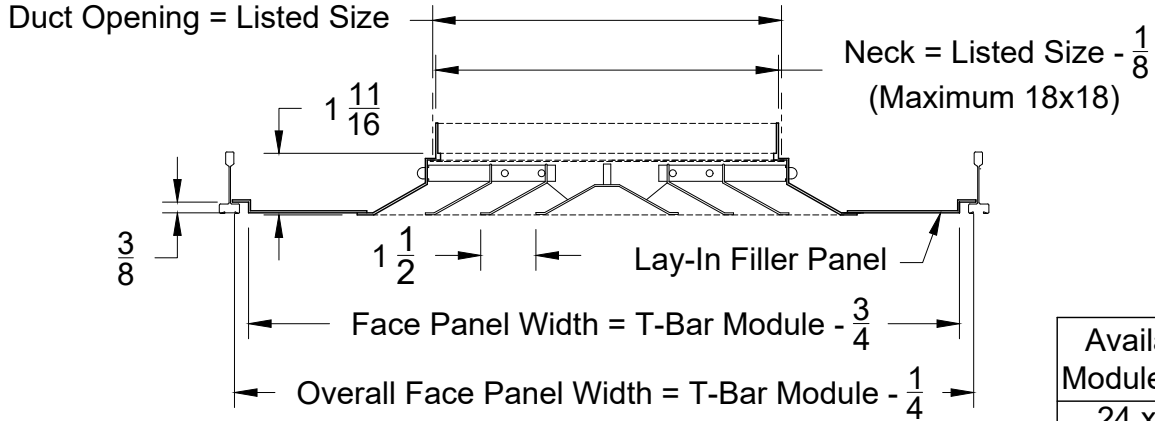
Side View



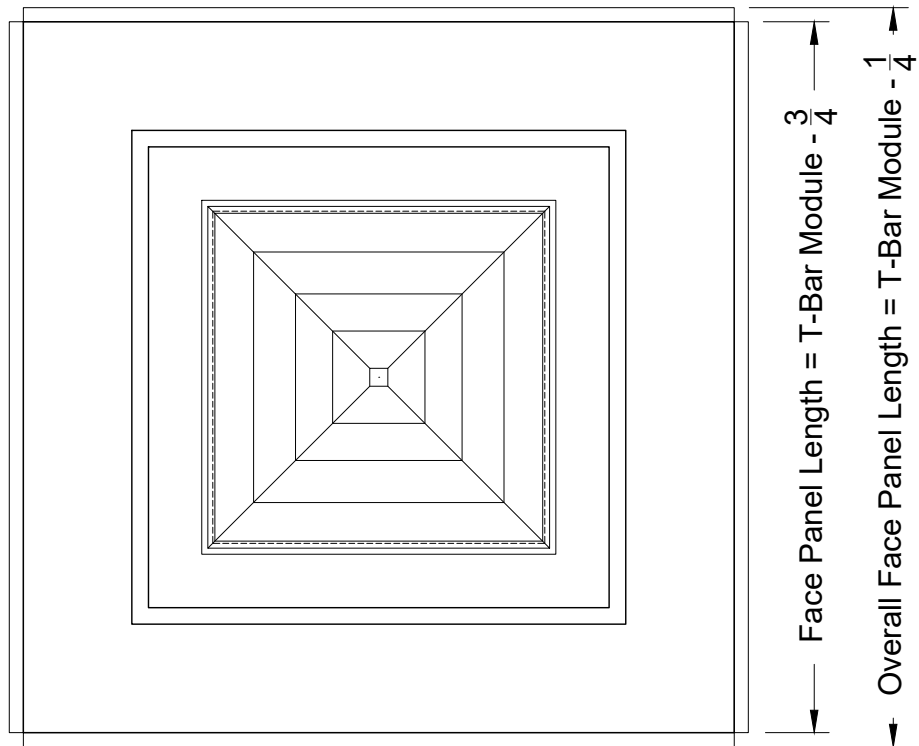
Face View



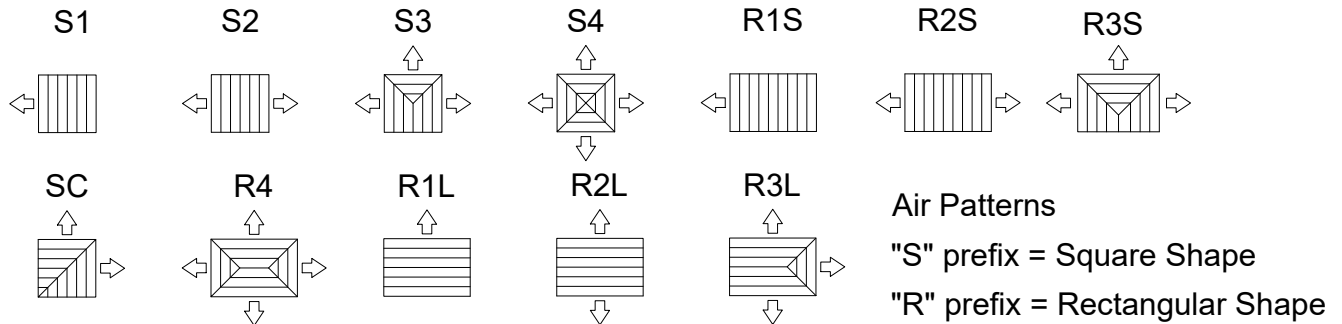
Note: This product complies with NFPA 90A-18 standard 4.3.7.3.2 and 4.3.8.3.2 and is constructed with openings through which a 1/2" sphere can not pass.



Side View



Face View



Note: This product complies with NFPA 90A-18 standard 4.3.7.3.2 and 4.3.8.3.2 and is constructed with openings through which a 1/2" sphere can not pass.