


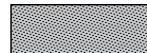

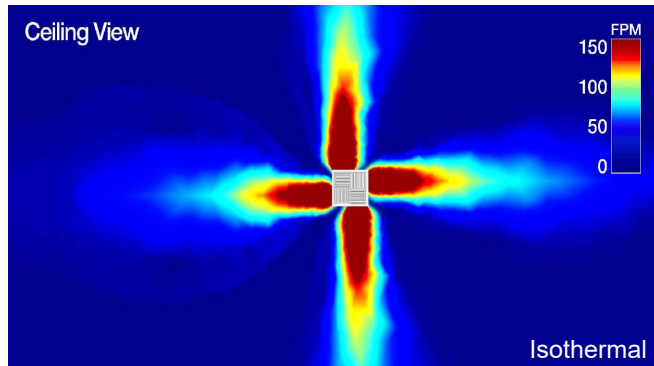



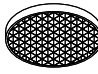
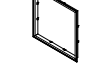
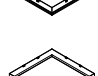
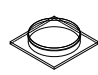
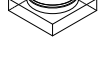



**Product Features:**

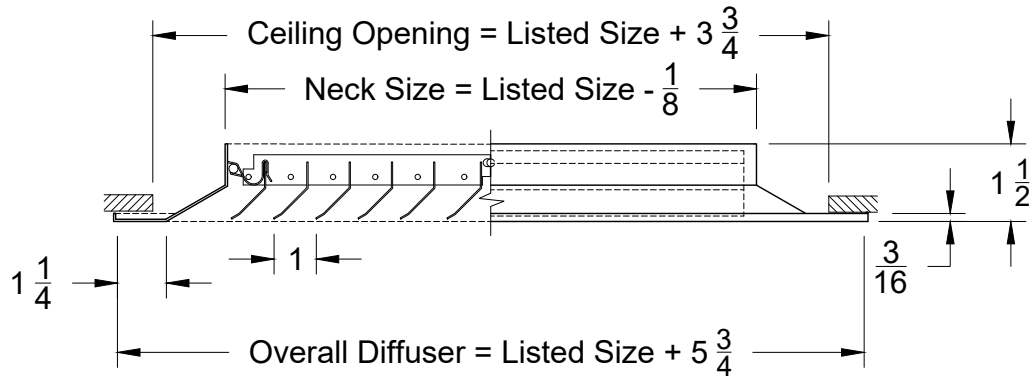
- Available Sizes Only as Listed
- Available in Aluminum and Steel
- Adjustable cores designed to provide a flexible range of air patterns.
- Available in a wide range of border types
- Modular cores can be adjusted to obtain 1, 2 way opposite, 2 way corner, 3 or 4 way air patterns
- Cores are easy to remove with spring loaded latches no tools required
- Lay-in T-bar border 6 can be used in surface mounting applications by adding optional T-bar Plaster Frame (TBPF)
- An excellent choice for VAV applications

**Finishes**

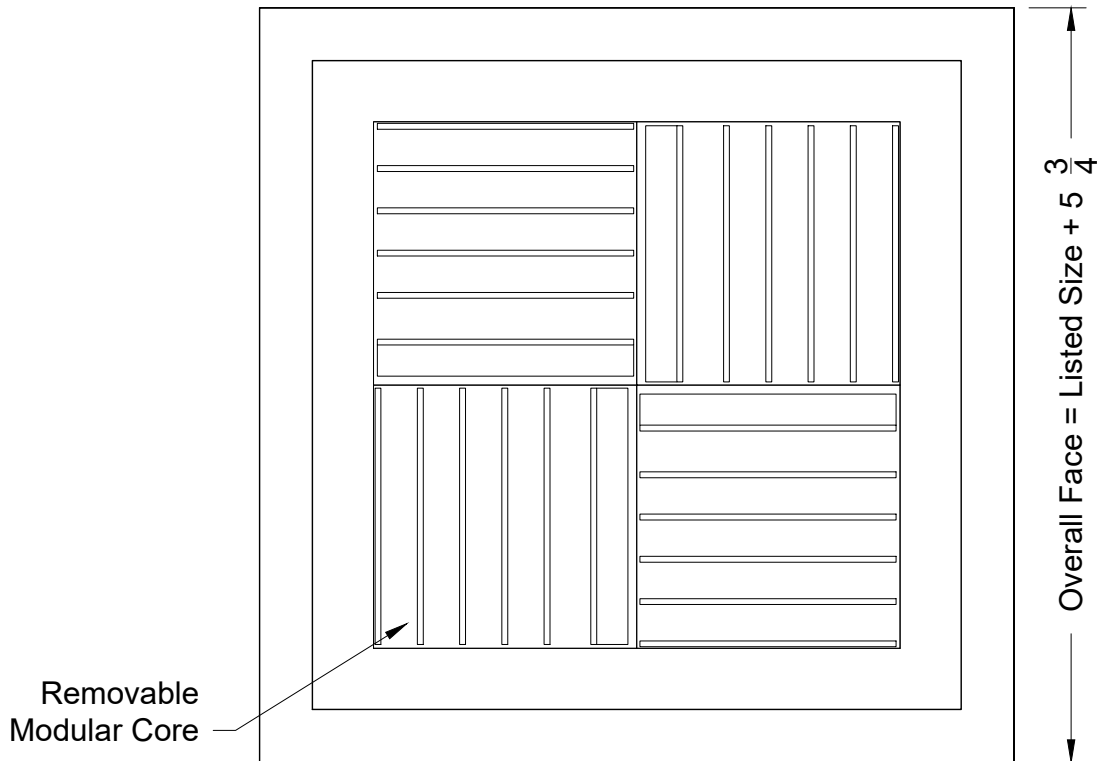
01 - White <sup>1</sup> 	03 - Black 	<sup>1</sup> White Finish is suitable for a primer coat if field painting is required.
02 - Satin Silver 	24 - Mill 	
28 - Custom Color 		

**CFD Throw Pattern Visualization**

**Optional Accessories:**

-  OBD - Steel Opposed Blade Damper
-  OBDA - Aluminum Opposed Blade Damper
-  L9 - Equalizing Grid (Square / Rect)
-  G3 - Equalizing Grid (Round)
-  PF - Sidewall Plaster Frame
-  TBPF - T-Bar Plaster Frame
-  LIPF - Lay-In Plaster Frame
-  TR - Square to Round Transition
-  TR-Deep - Deep Transition

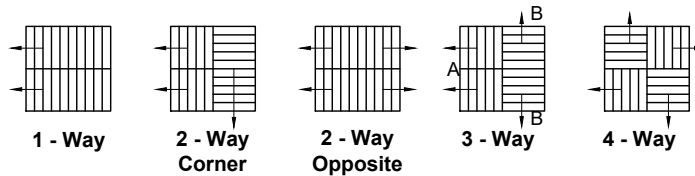


**Side View**

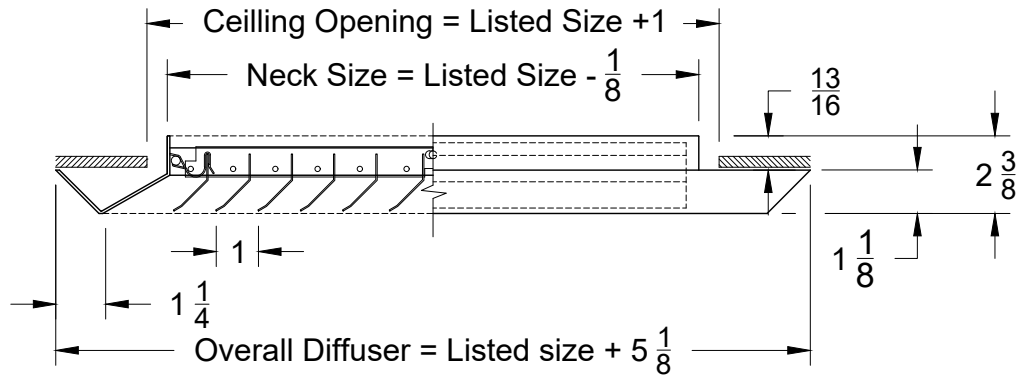


**Face View**

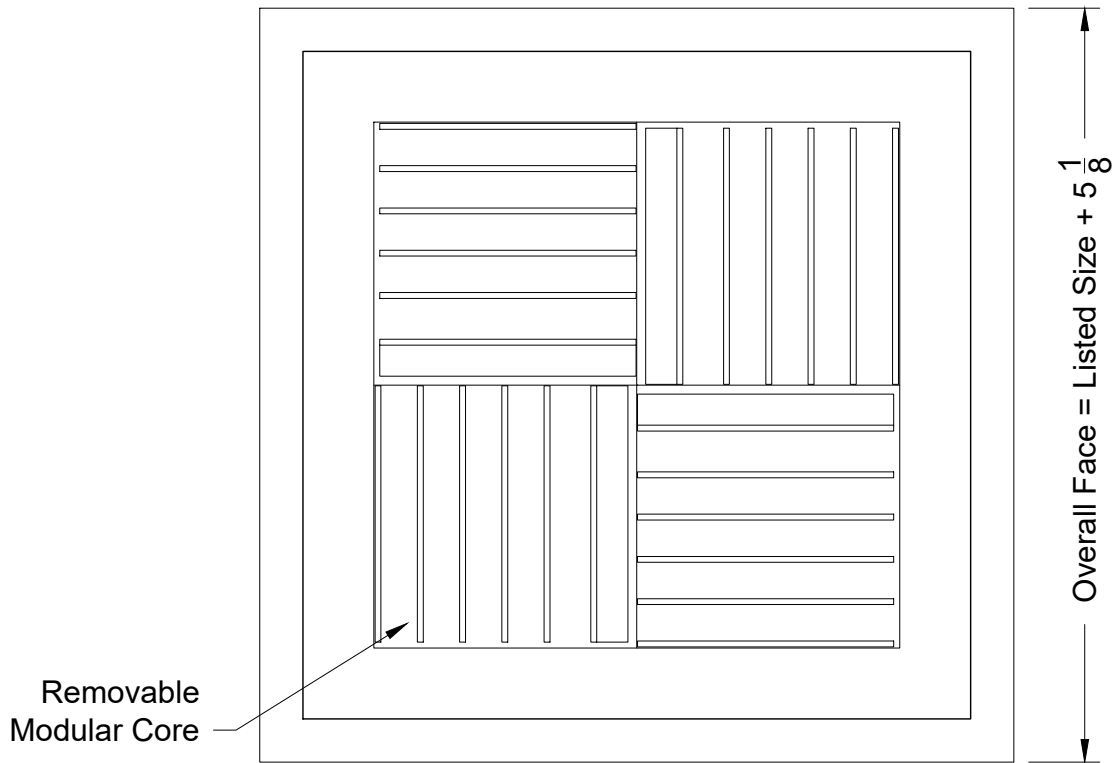
**Field Adjustable Air Deflection Patterns  
 Obtained By Removing and Rearranging Modular Cores  
 in Frames.**



Note: This product complies with NFPA 90A-18 standard 4.3.7.3.2 and 4.3.8.3.2 and is constructed with openings through which a 1/2" sphere can not pass.

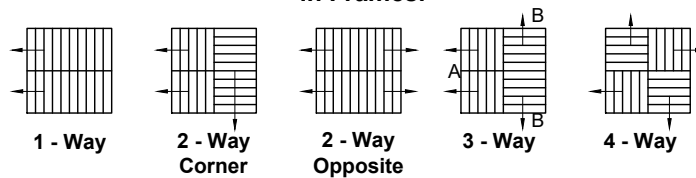


**Side View**

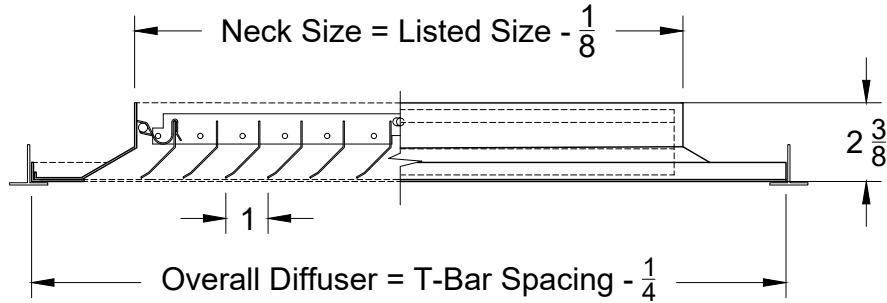


**Face View**

**Field Adjustable Air Deflection Patterns  
 Obtained By Removing and Rearranging Modular Cores  
 in Frames.**

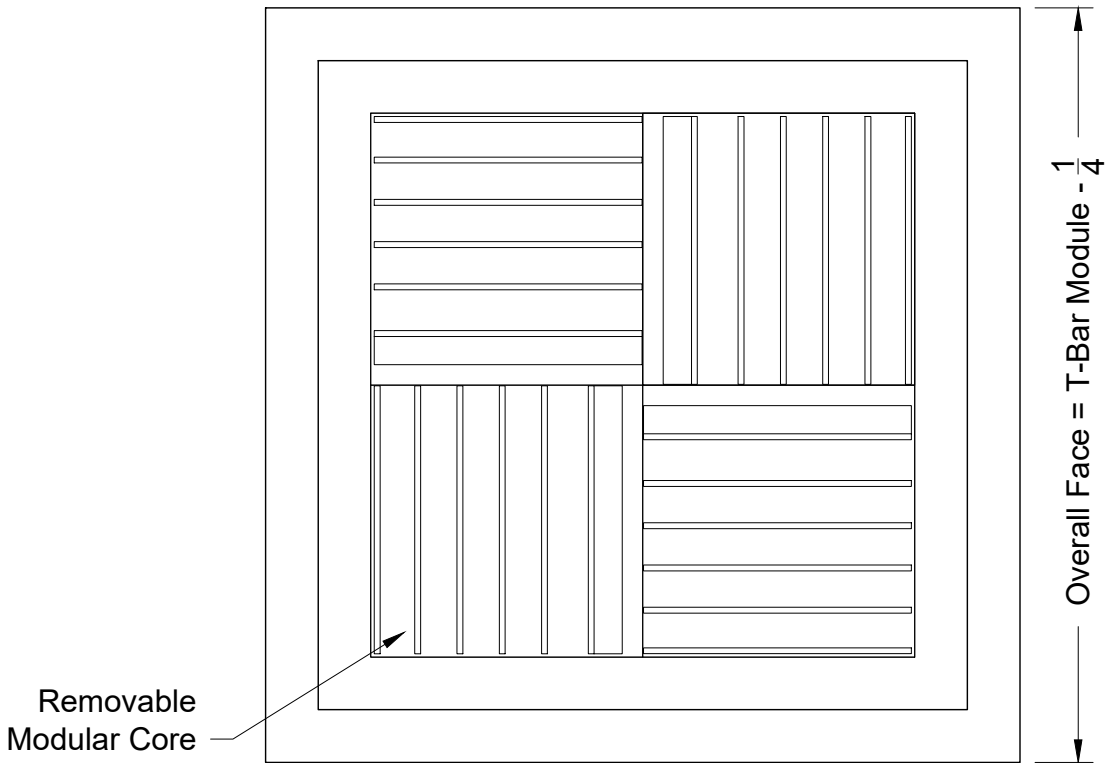


Note: This product complies with NFPA 90A-18 standard 4.3.7.3.2 and 4.3.8.3.2 and is constructed with openings through which a 1/2" sphere can not pass.



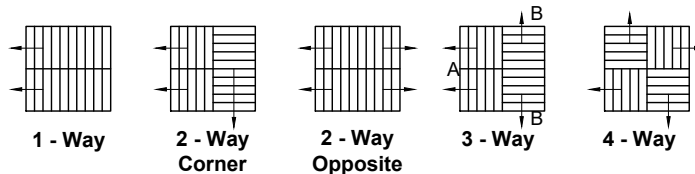
Standard Size
12 x 12
24 x 24

**Side View**

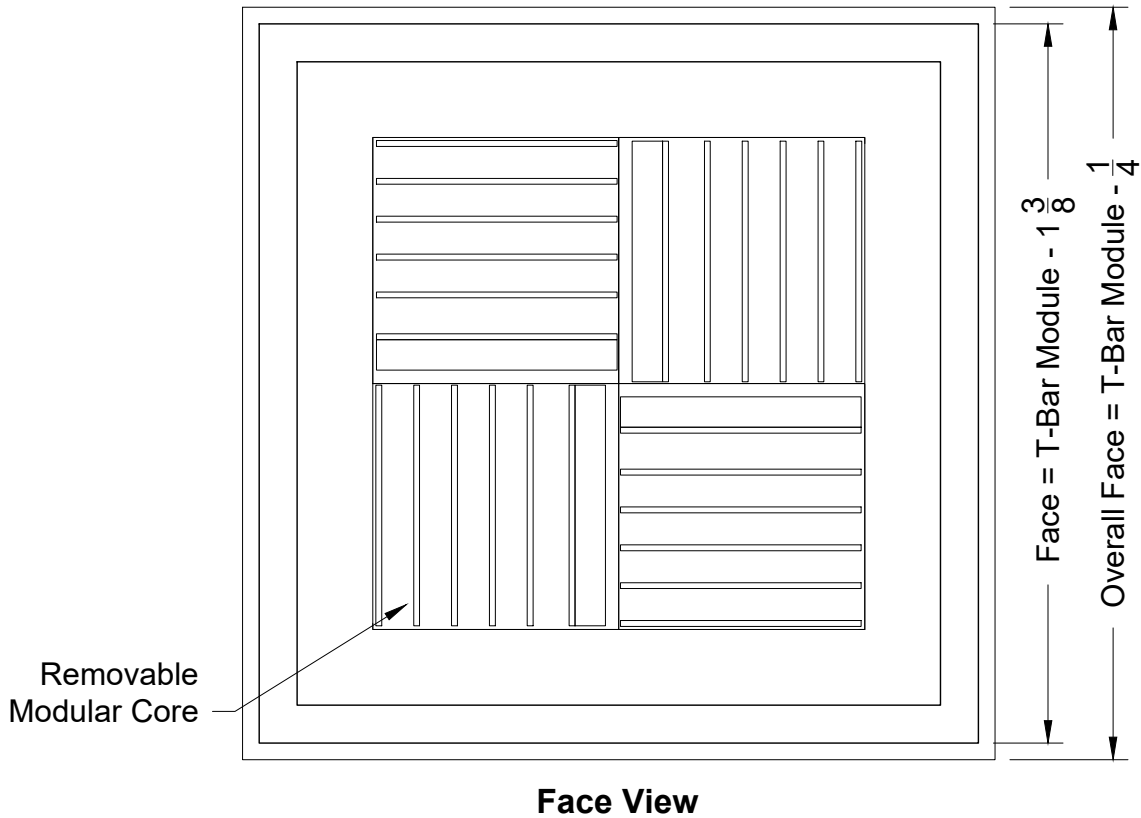
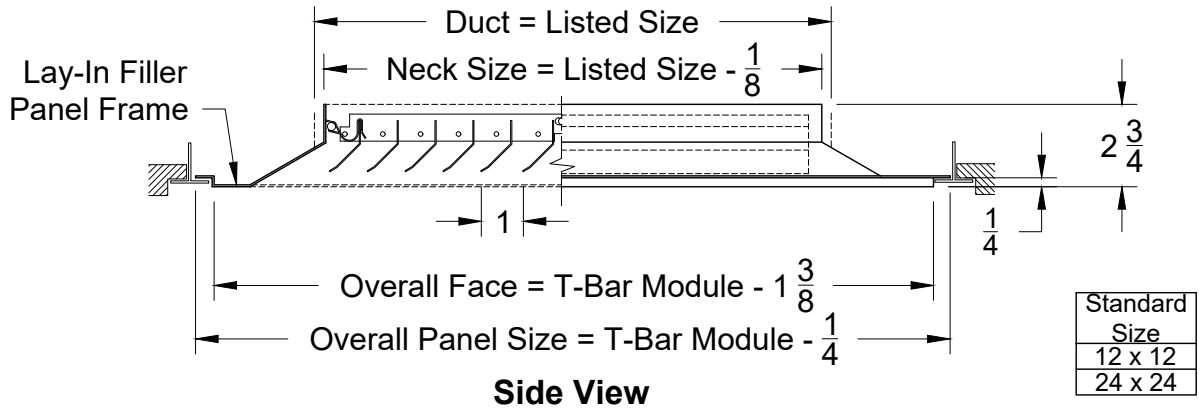


**Face View**

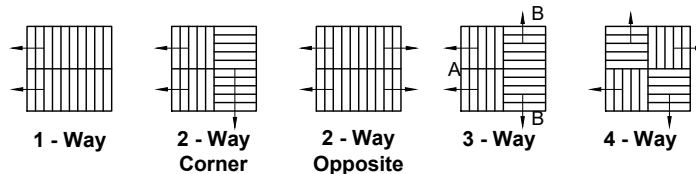
**Field Adjustable Air Deflection Patterns  
 Obtained By Removing and Rearranging Modular Cores  
 in Frames.**



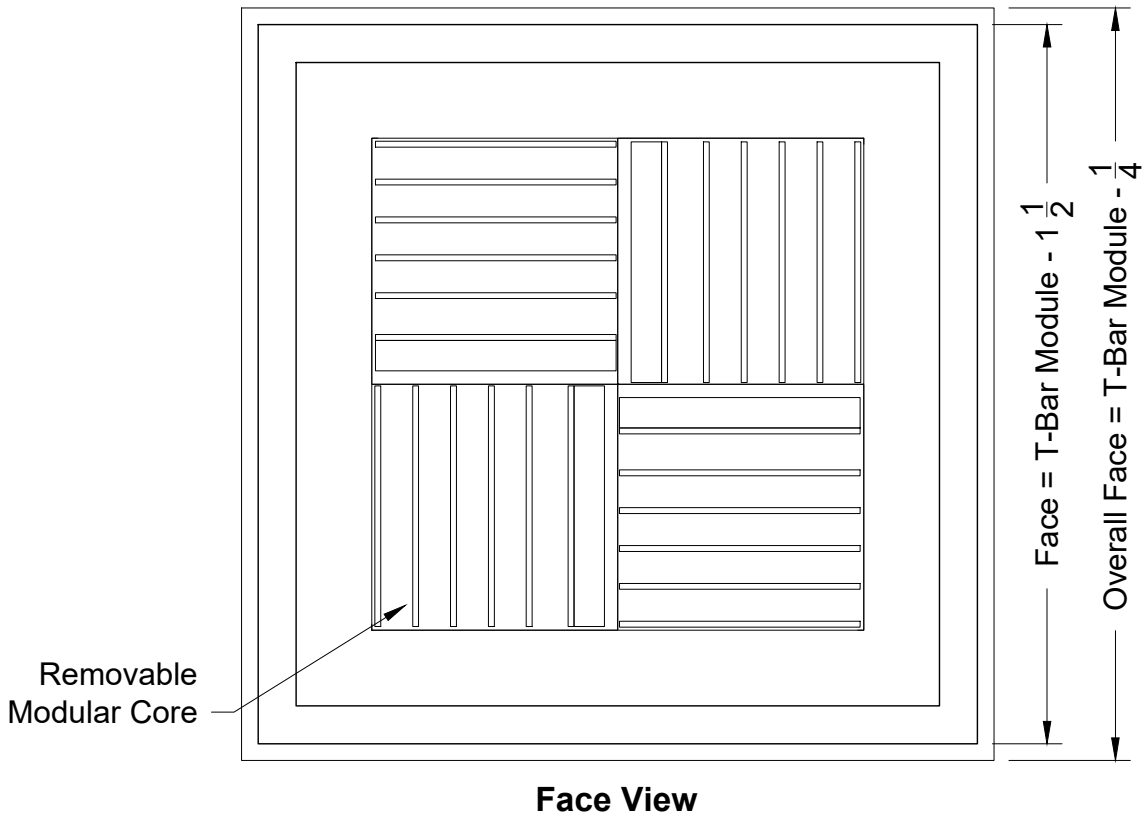
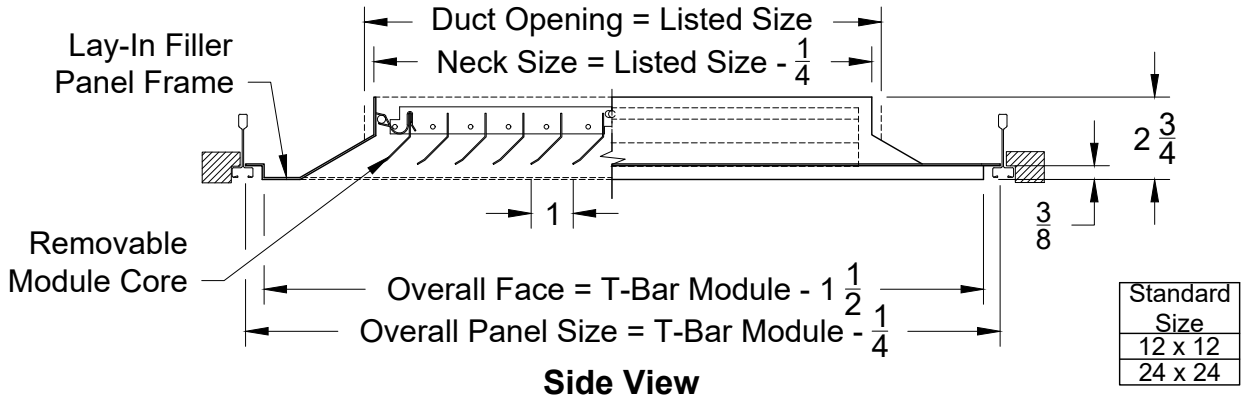
Note: This product complies with NFPA 90A-18 standard 4.3.7.3.2 and 4.3.8.3.2 and is constructed with openings through which a 1/2" sphere can not pass.



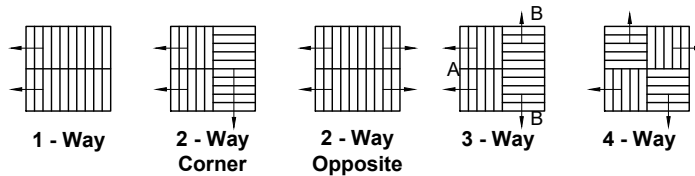
**Field Adjustable Air Deflection Patterns  
 Obtained By Removing and Rearranging Modular Cores  
 in Frames.**



Note: This product complies with NFPA 90A-18 standard 4.3.7.3.2 and 4.3.8.3.2 and is constructed with openings through which a 1/2" sphere can not pass.



**Field Adjustable Air Deflection Patterns  
 Obtained By Removing and Rearranging Modular Cores  
 in Frames.**



Note: This product complies with NFPA 90A-18 standard 4.3.7.3.2 and 4.3.8.3.2 and is constructed with openings through which a 1/2" sphere can not pass.