

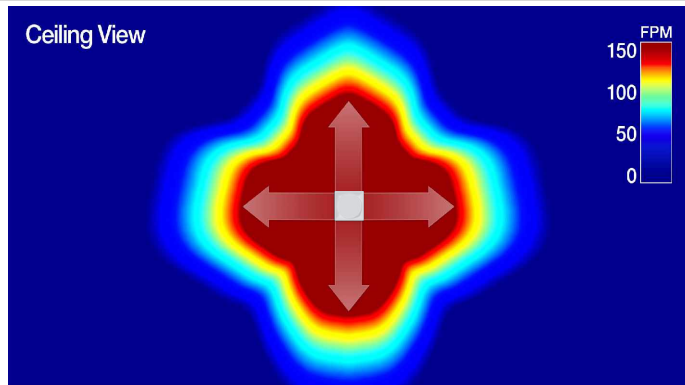

Product Features:

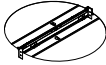

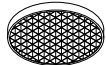
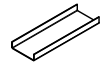




- Round Plaque Ceiling Diffuser
- 360 Degree throw pattern
- Round Plaque enables a unique design for architectural applications
- Excellent pressure and noise performance
- Available in steel and aluminum
- Fit multiple t-bar grid modules
- Available Neck Sizes: 6, 8, 10, 12, 14 and 15 inch
- Unique border styles available for various applications

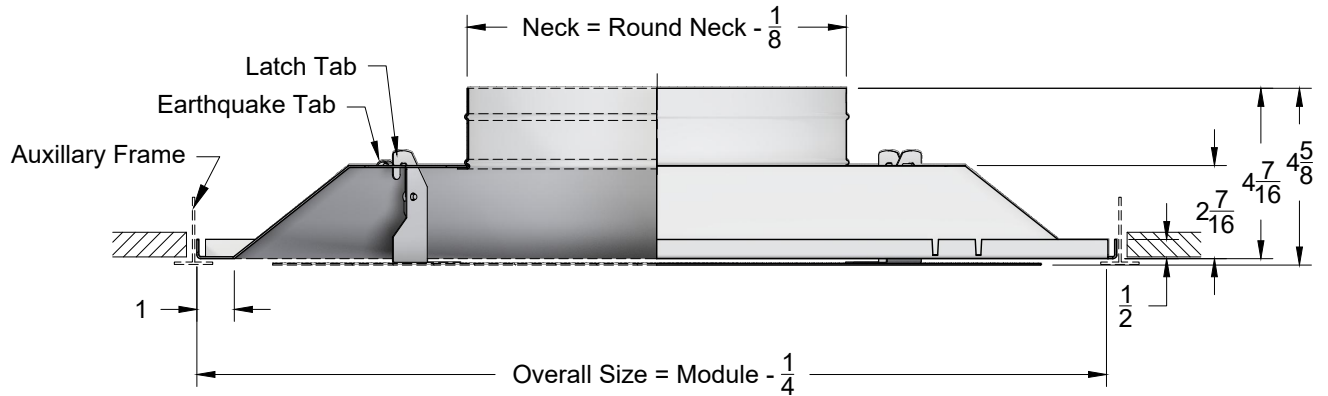
Finishes

- | | |
|--|--|
| 01 - White ¹
 | 03 - Black
 |
| 02 - Satin Silver
 | 28 - Wood Grain *
 |
| 28 - Custom Color
 | * Wood Grain Finish Available on Request |

¹ White Finish is suitable for a primer coat if field painting is required.

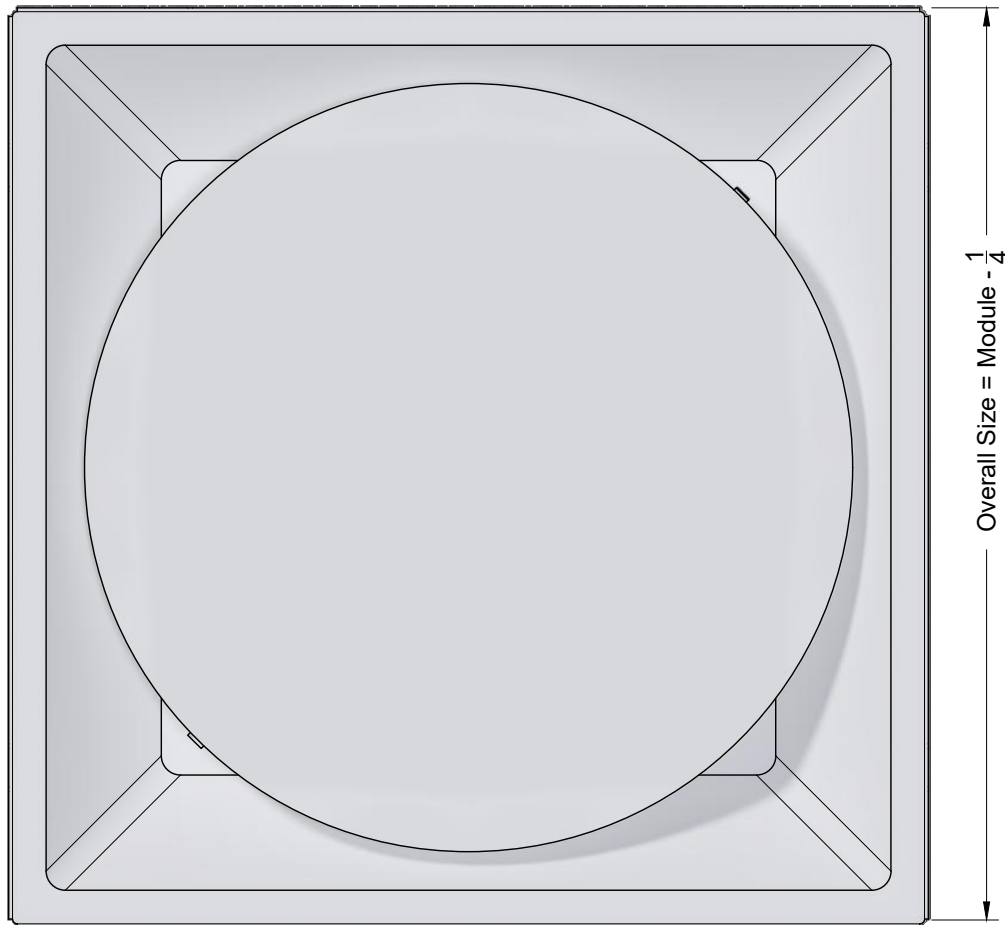
CFD Throw Pattern Visualization

Optional Accessories:

-  BDS - Butterfly Damper
-  RSD - Radial Shutter Damper
-  G3 - Equalizing Grid
-  BO - Blank-Off
-  TBPF - T-Bar Plaster Frame
-  EQS - Earthquake Straps
-  FGBP - Fiberglass Backpan
-  2"BC - 2" Beaded Inlet Collar

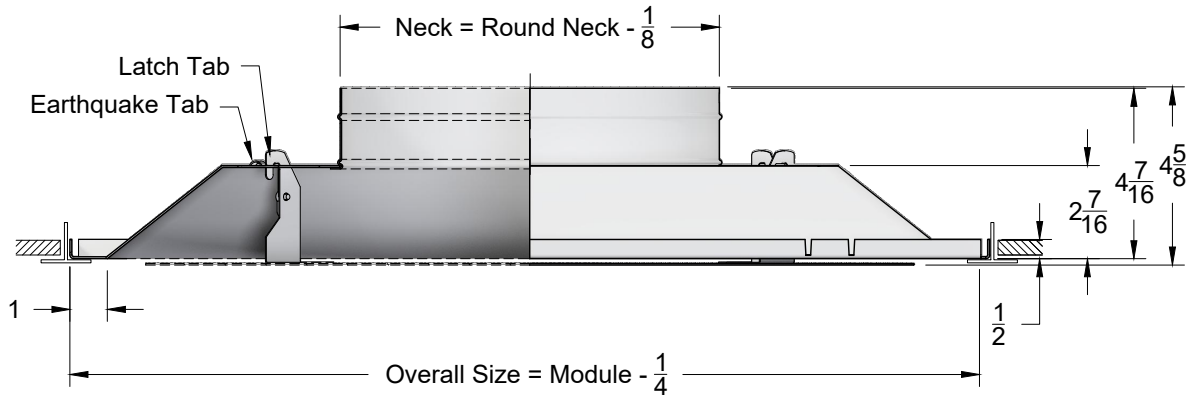


Module Size
24 x 24
12 x 12

Face View

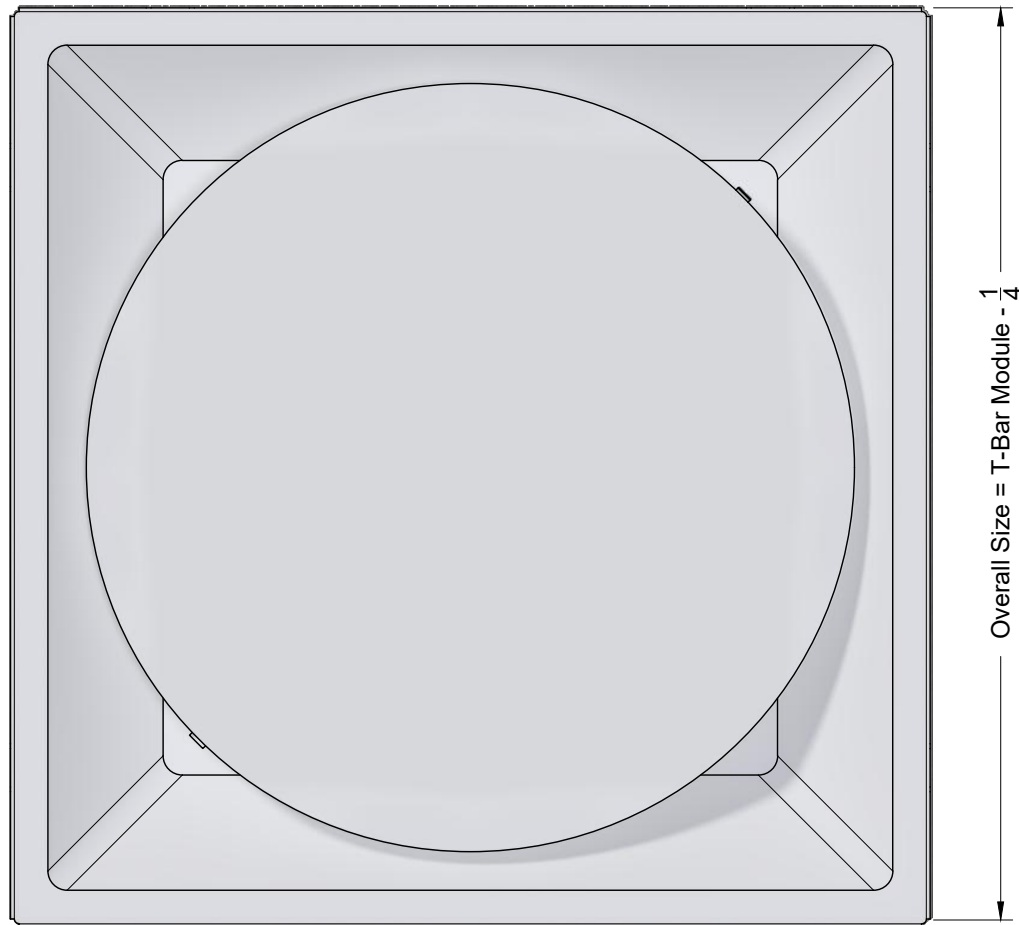


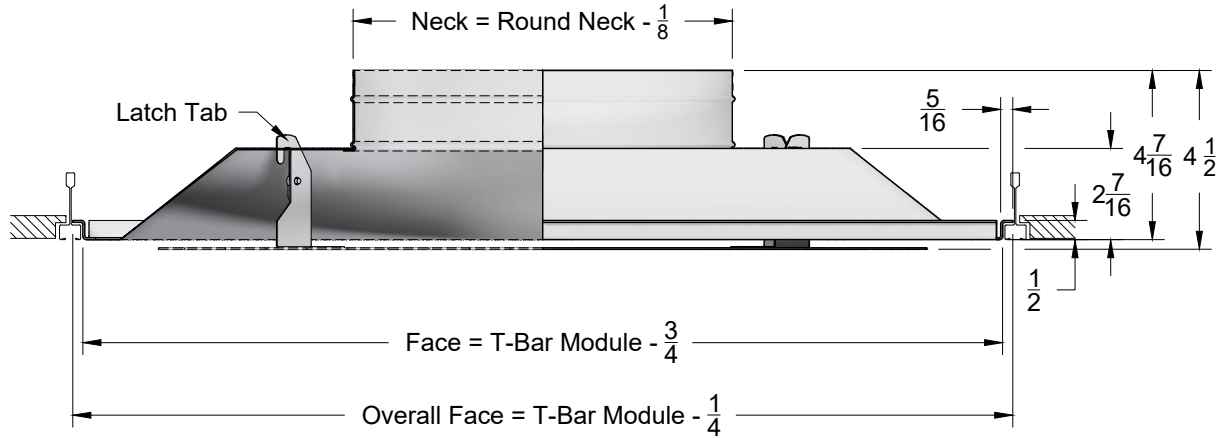
Note: For surface mount installations, use of plaster frame is recommended



Module Size
24 x 24
12 x 12

Face View





Module Size
24 x 24

Face View

