

### Product Features:

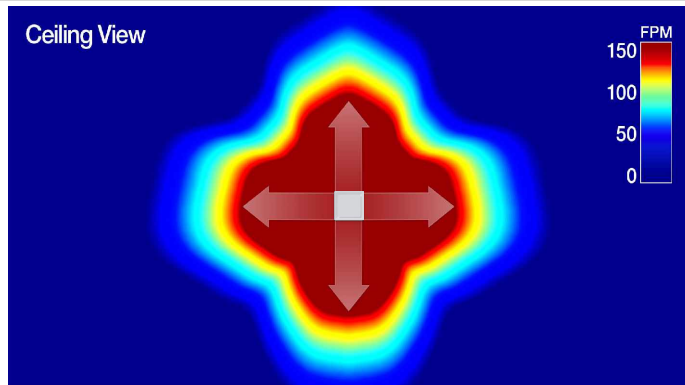
- Plaque Ceiling Diffuser
- 360 Degree throw pattern
- Architectural design with pleasing aesthetic
- Excellent pressure and noise performance
- Available in steel and aluminum
- Fit multiple t-bar grid modules
- Available Neck Sizes: 6, 8, 10, 12, 14 and 15 inch
- Unique border styles available for various applications

### Finishes

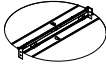

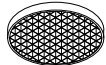
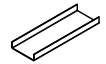




- |                                                                                                                |                                                                                                          |
|----------------------------------------------------------------------------------------------------------------|----------------------------------------------------------------------------------------------------------|
| 01 - White <sup>1</sup><br> | 03 - Black<br>        |
| 02 - Satin Silver<br>       | 28 - Wood Grain *<br> |
| 28 - Custom Color<br>       | * Wood Grain Finish Available on Request                                                                 |

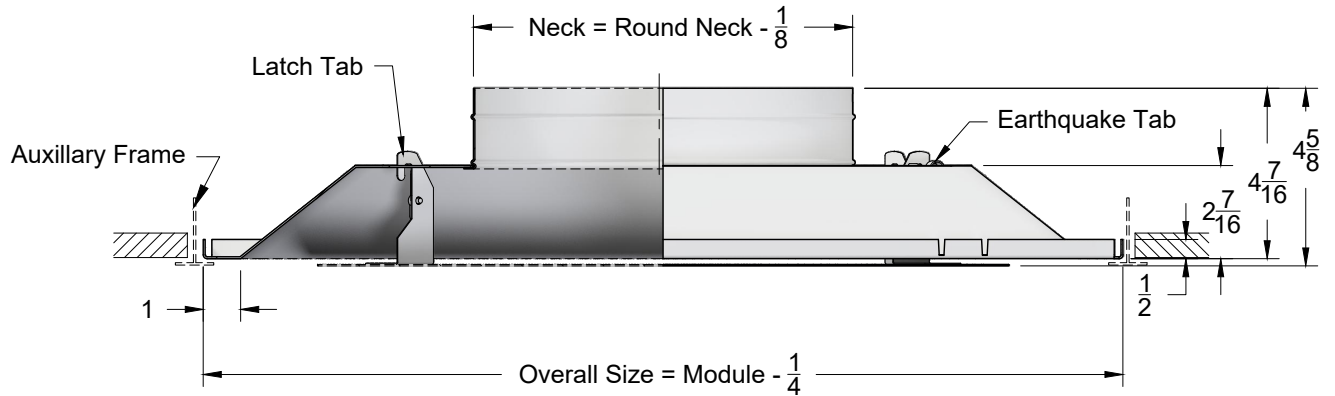
<sup>1</sup> White Finish is suitable for a primer coat if field painting is required.

### CFD Throw Pattern Visualization



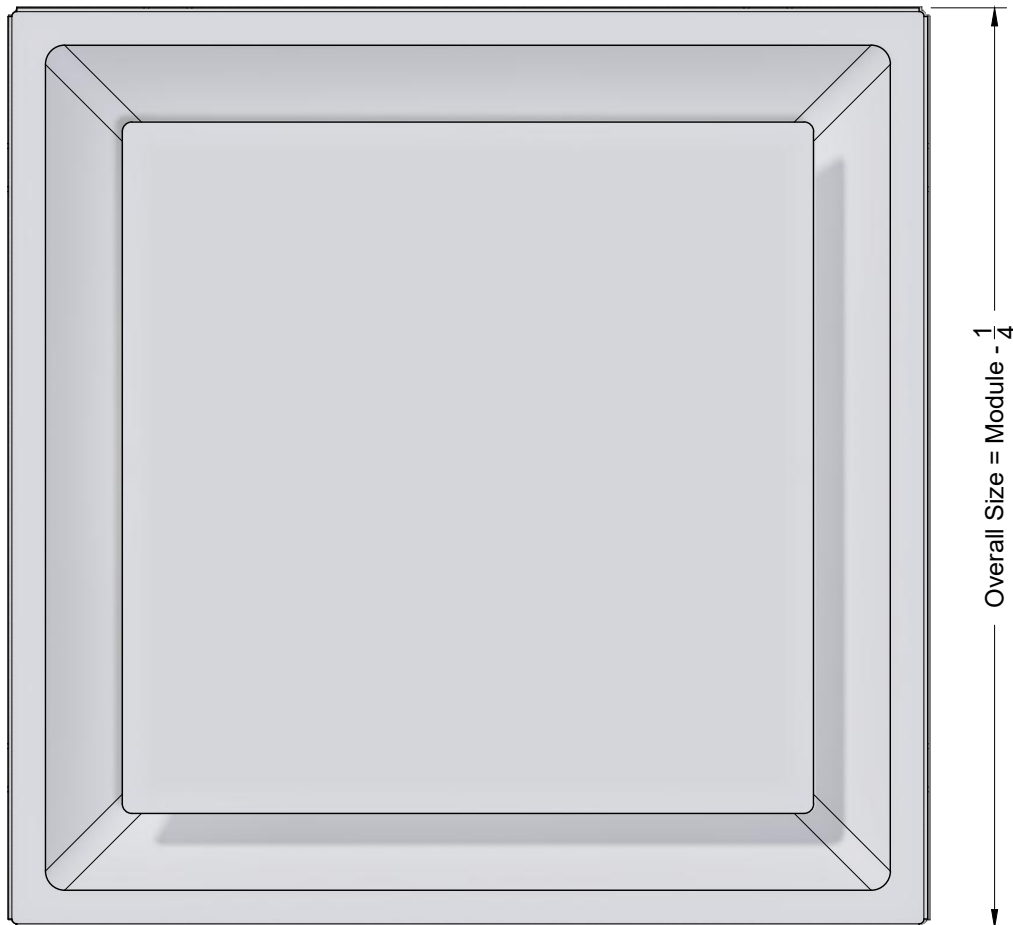
### Optional Accessories:

-  BDS - Butterfly Damper
-  RSD - Radial Shutter Damper
-  G3 - Equalizing Grid
-  BO - Blank-Off
-  TBPF - T-Bar Plaster Frame
-  EQS - Earthquake Straps
-  FGBP - Fiberglass Backpan
-  2"BC - 2" Beaded Inlet Collar

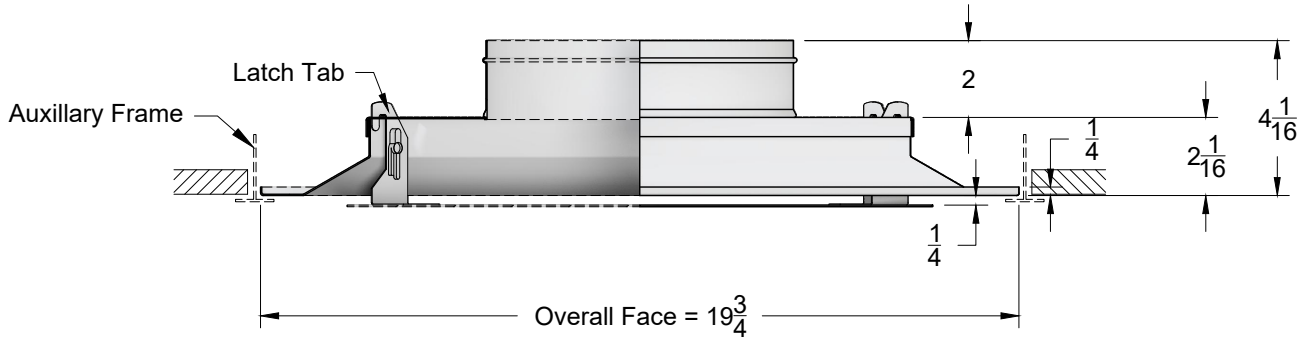


Module Size
24 x 24
12 x 12

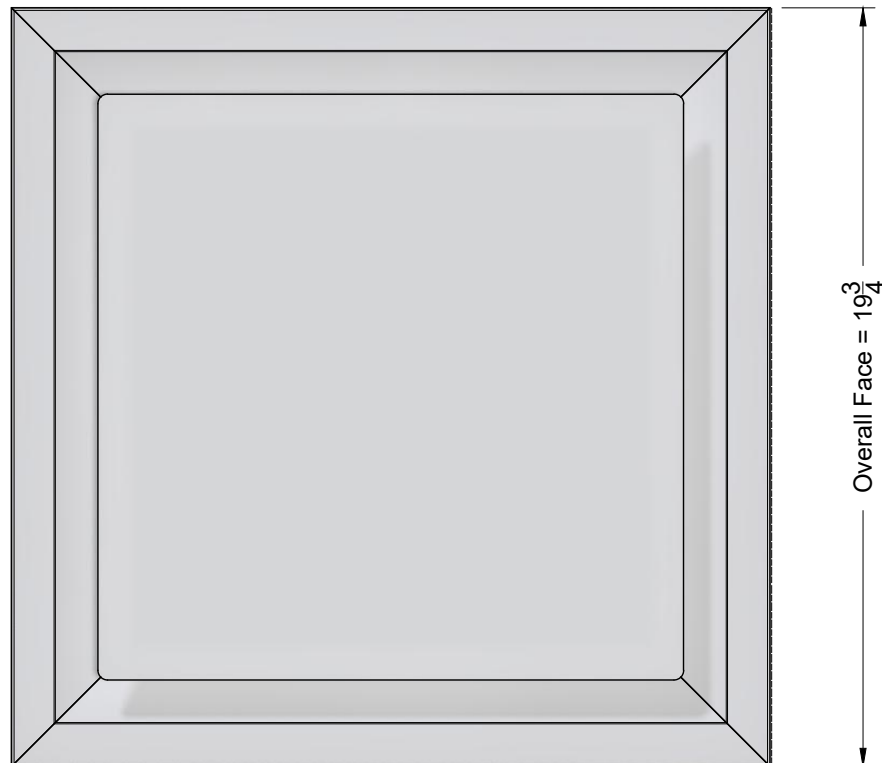
**Face View**



**Note:** For surface mount installations, use of plaster frame is recommended

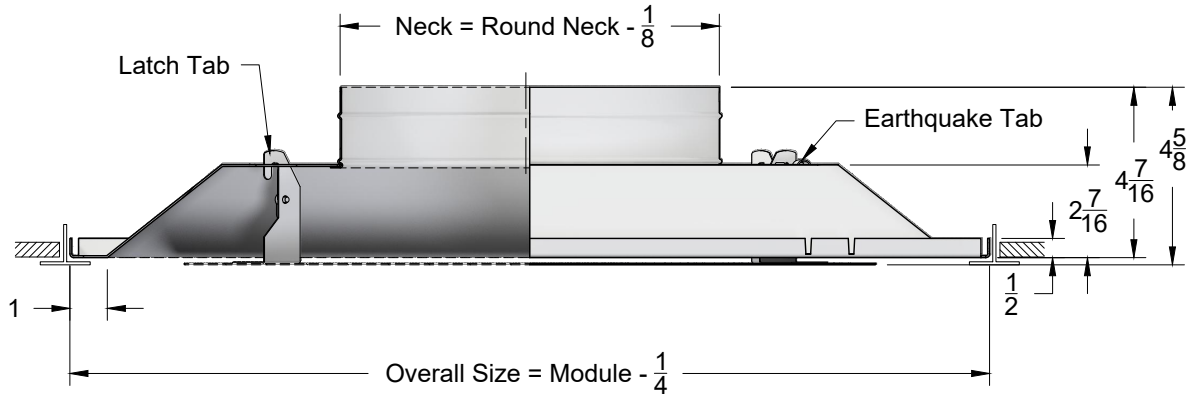


**Face View**



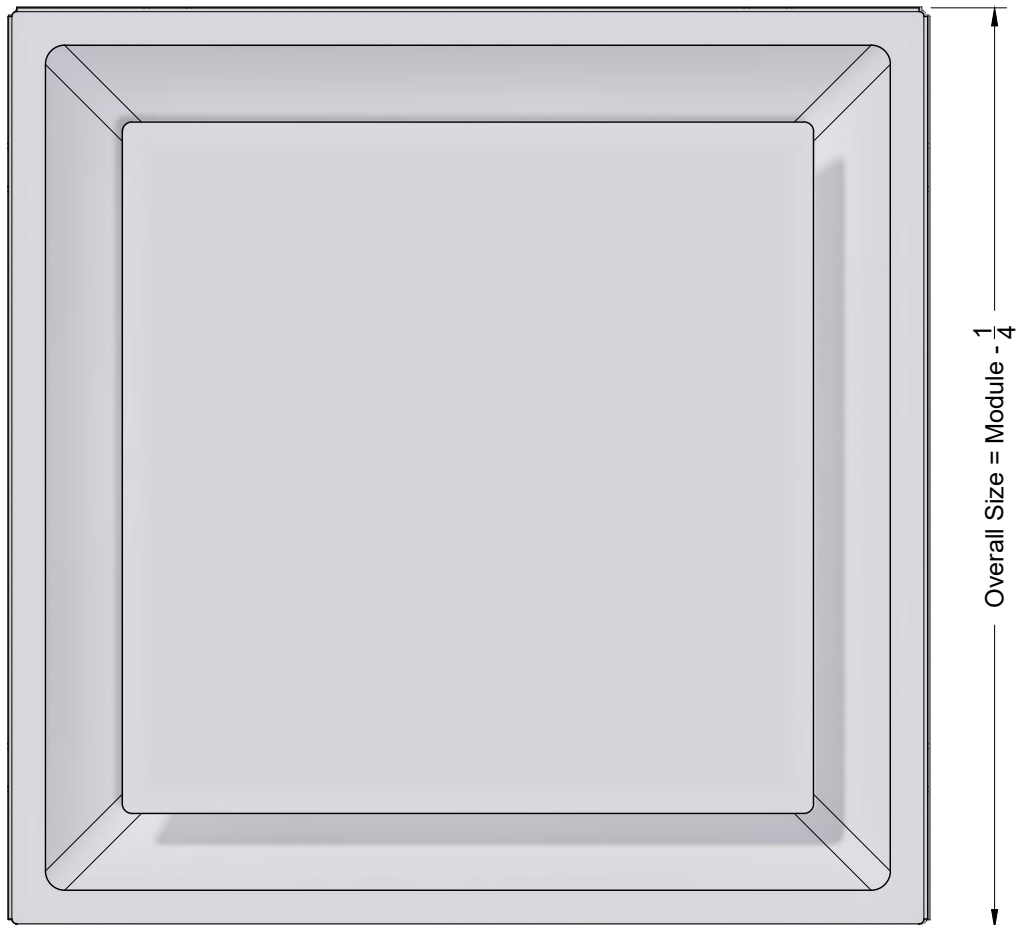
Available Neck Sizes 6, 8, 10

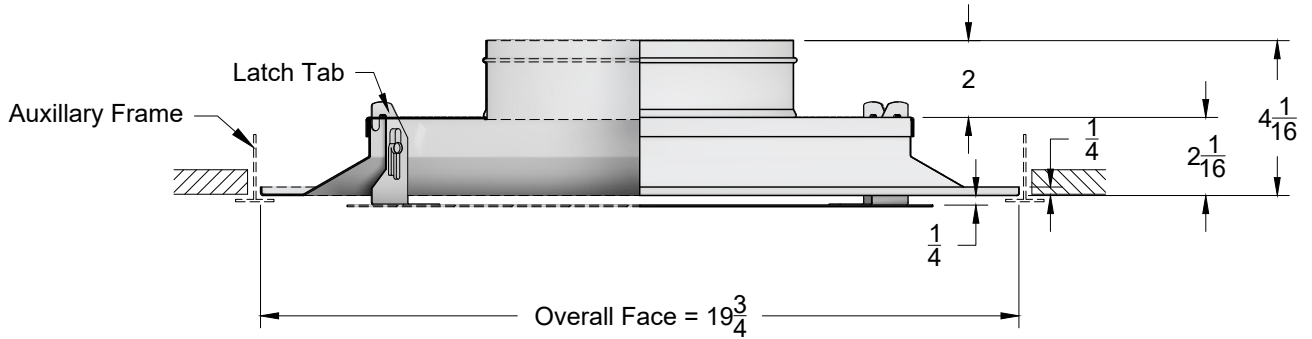
**Note:** For surface mount installations, use of plaster frame is recommended



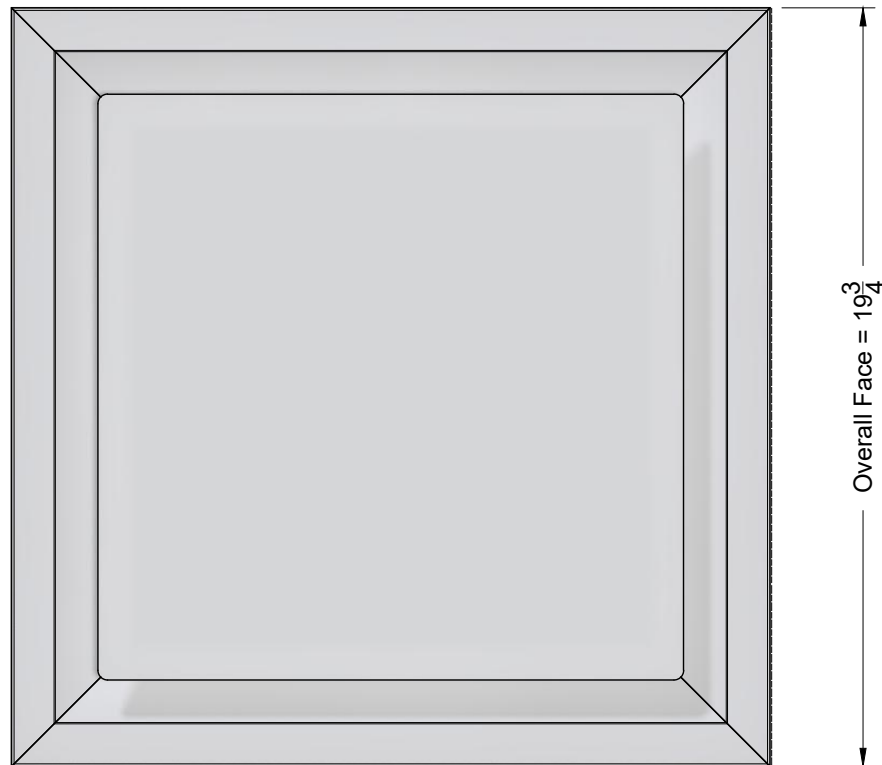
Module Size
24 x 24
12 x 12

**Face View**



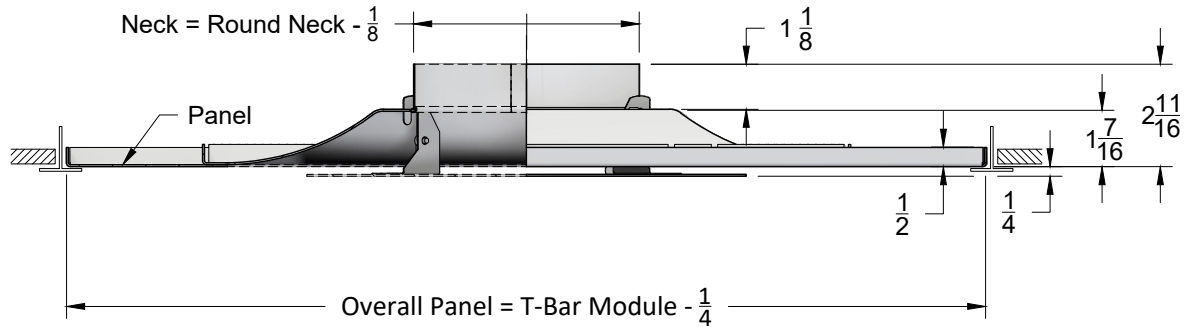


**Face View**



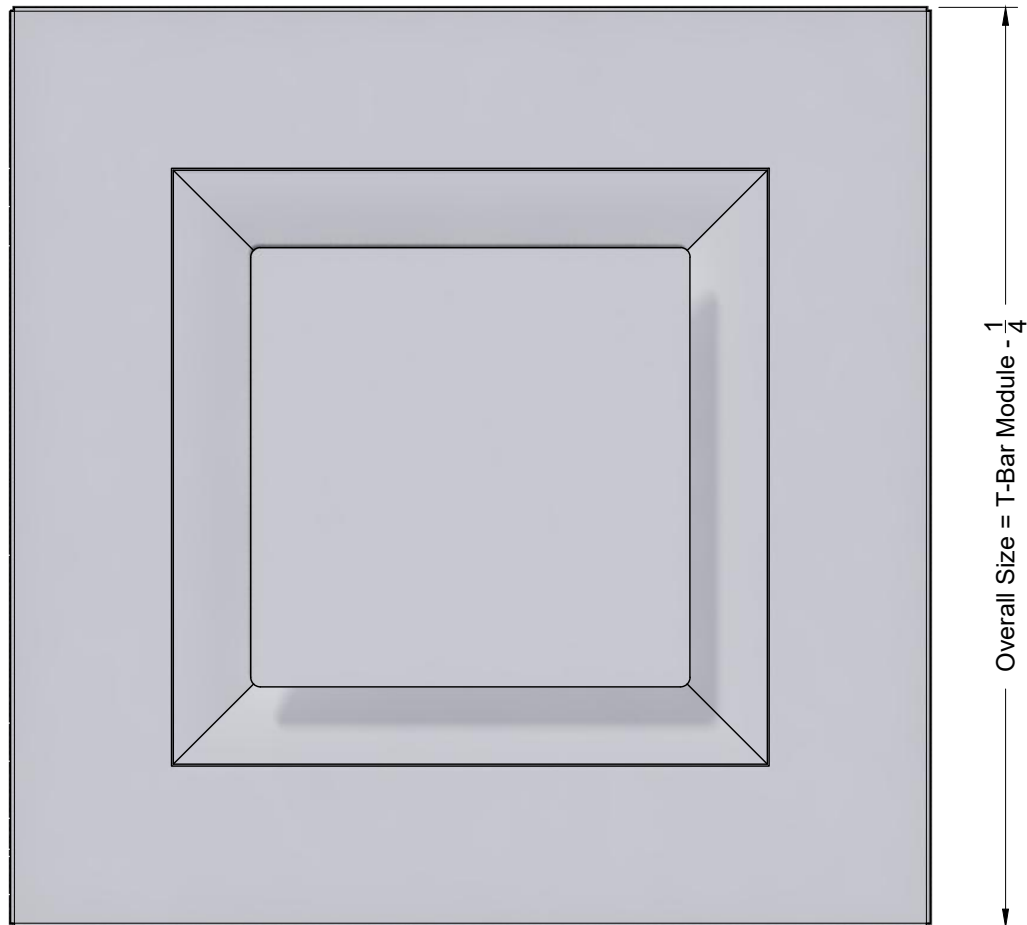
Available Neck Sizes 6, 8, 10

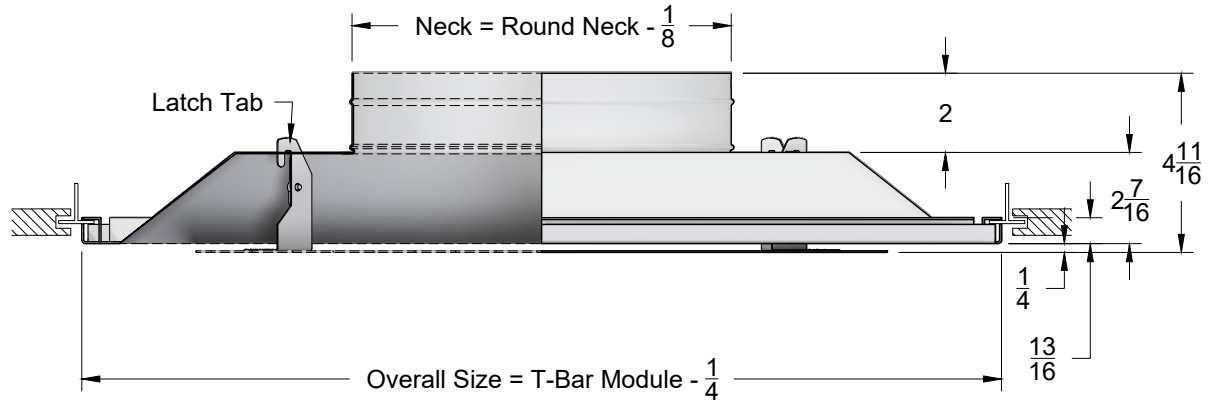
**Note:** For surface mount installations, use of plaster frame is recommended



Listed Module Size	
Face	Panel
12 x 12	20 x 20
12 x 12	24 x 24
24 x 24	30 x 30

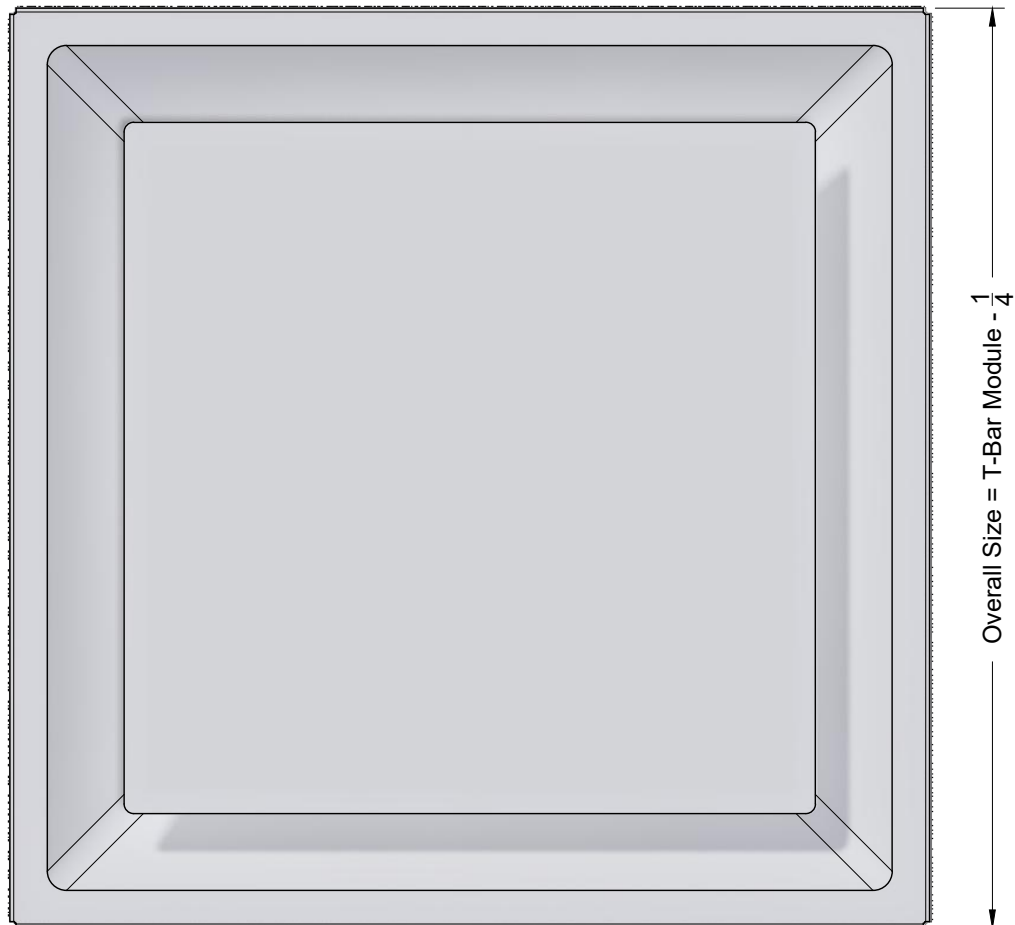
**Face View**

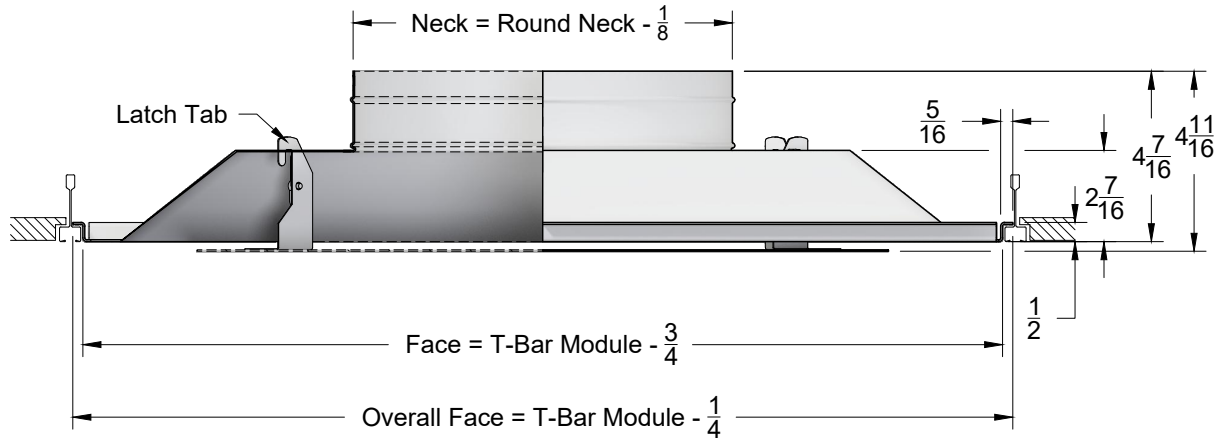




Module Size
24 x 24

**Face View**





Module Size
24 x 24

**Face View**

