

Product Features:

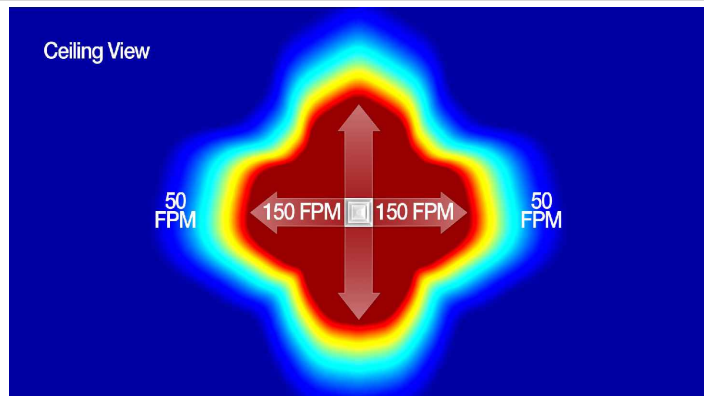
- 4 Cone Ceiling Diffuser
- 360 Degree throw pattern
- Architectural design with pleasing aesthetic
- Excellent pressure and noise performance
- Available in steel and aluminum
- Fit multiple t-bar grid modules
- Available Neck Sizes: 6, 8, 10, 12, 14 and 15 inch
- Unique border styles available for various applications

Finishes

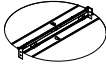

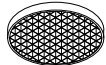
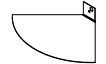




01 - White ¹ 	03 - Black 
02 - Satin Silver 	28 - Wood Grain * 
28 - Custom Color 	* Wood Grain Finish Available on Request

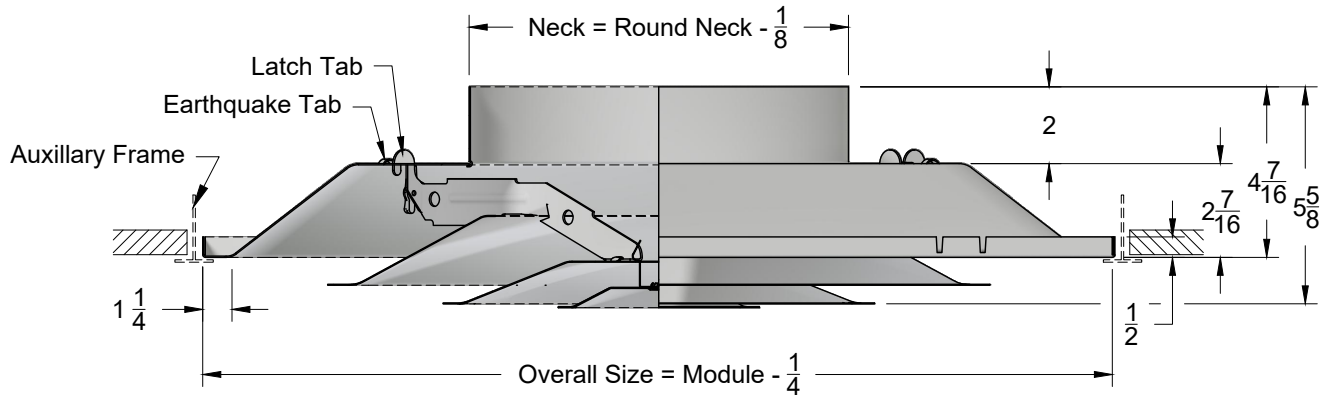
¹ White Finish is suitable for a primer coat if field painting is required.

Throw Pattern Visualization



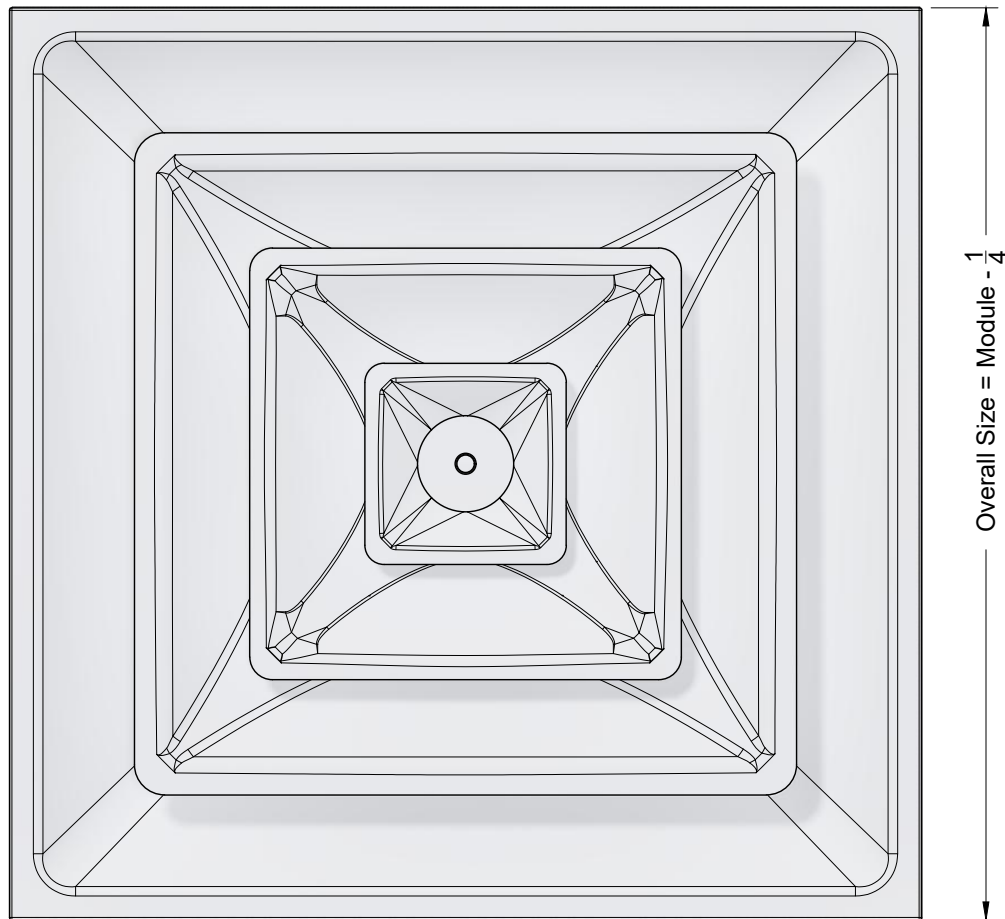
Optional Accessories:

-  BDS - Butterfly Damper
-  RSD - Radial Shutter Damper
-  G3 - Equalizing Grid
-  BAF - Directional Baffles
-  TBPF - T-Bar Plaster Frame
-  EQS - Earthquake Straps
-  FGBP - Fiberglass Backpan
-  2"BC - 2" Beaded Inlet Collar

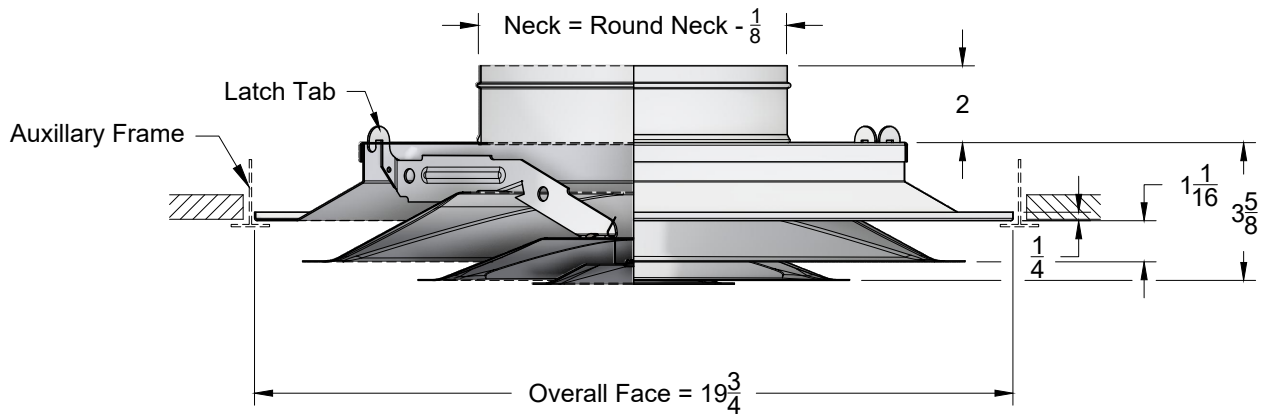


Module Size
24 x 24
12 x 12

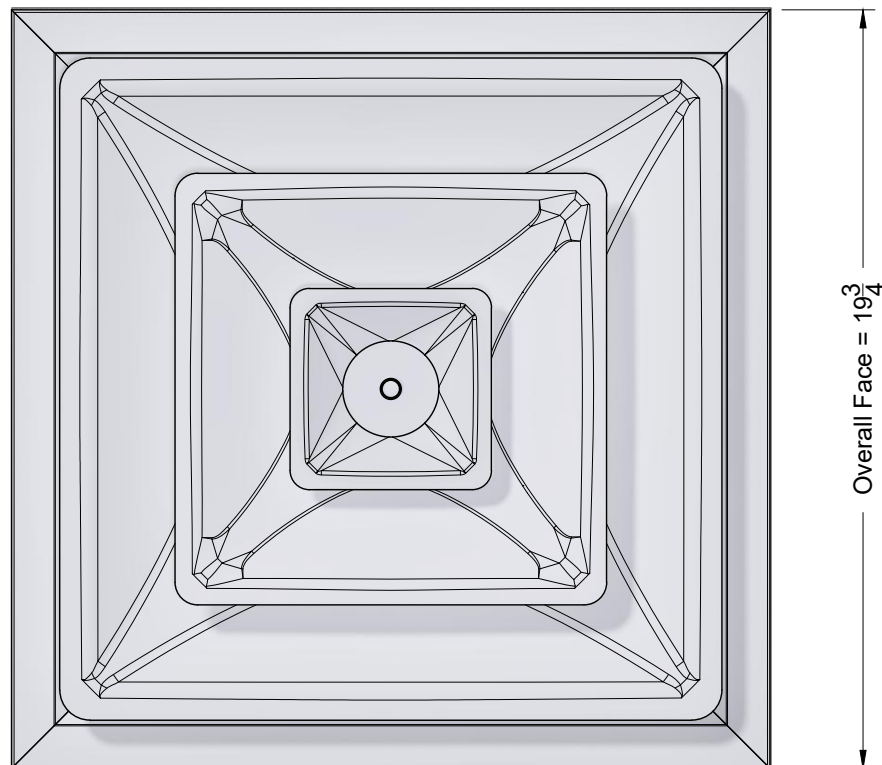
Face View



Note: For surface mount installations, use of plaster frame is recommended

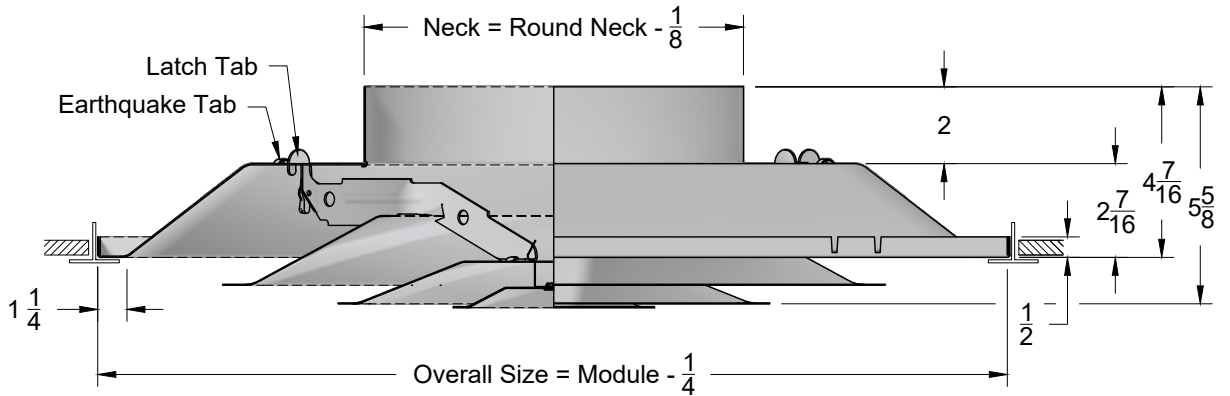


Face View



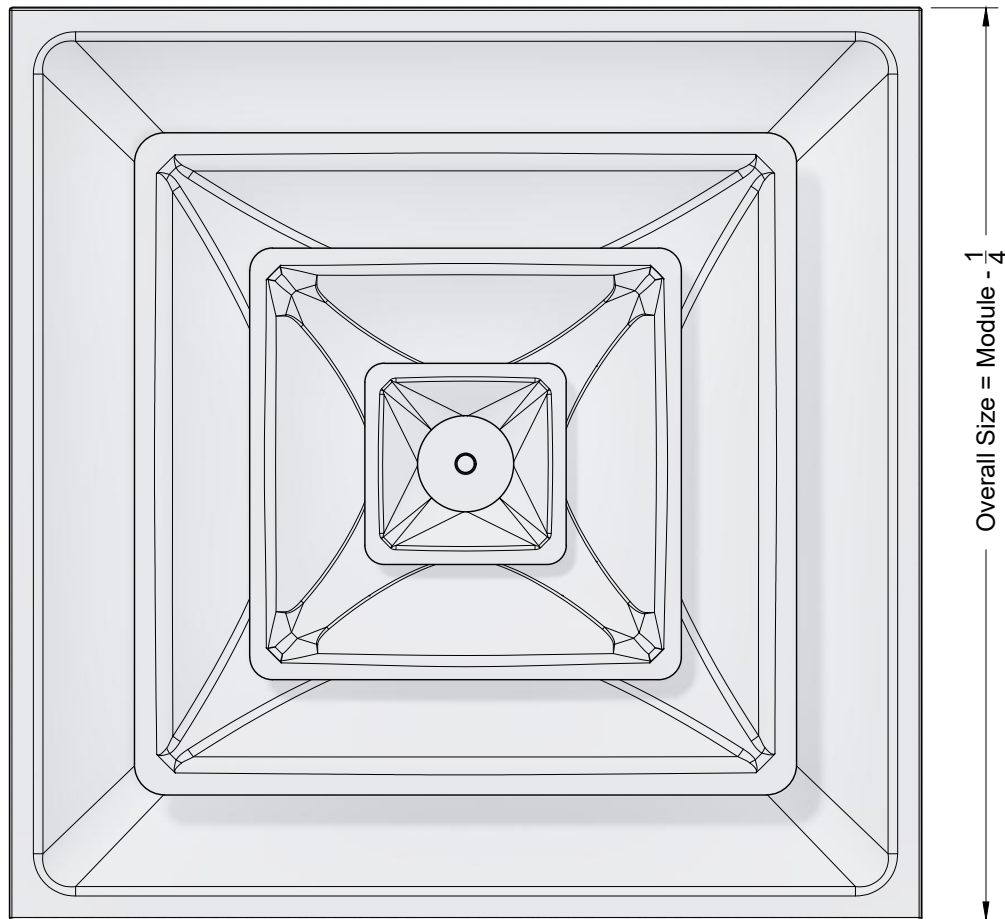
Available Neck Sizes 6, 8, 10

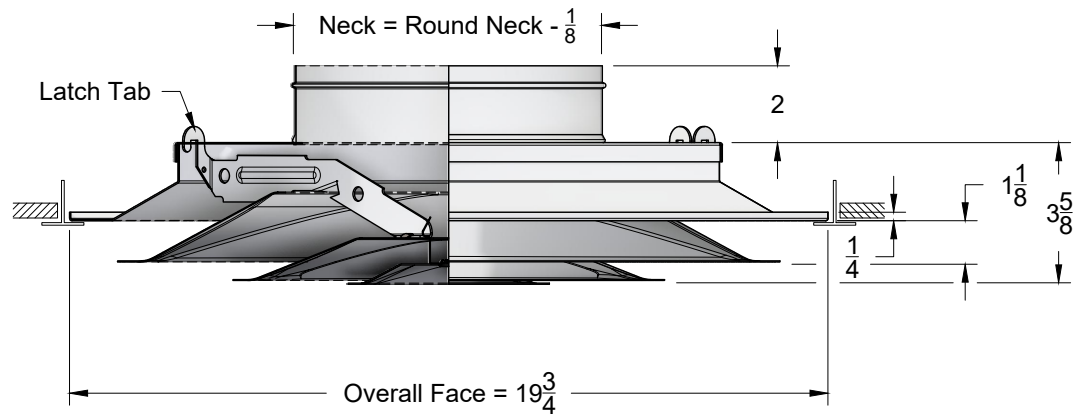
Note: For surface mount installations, use of plaster frame is recommended



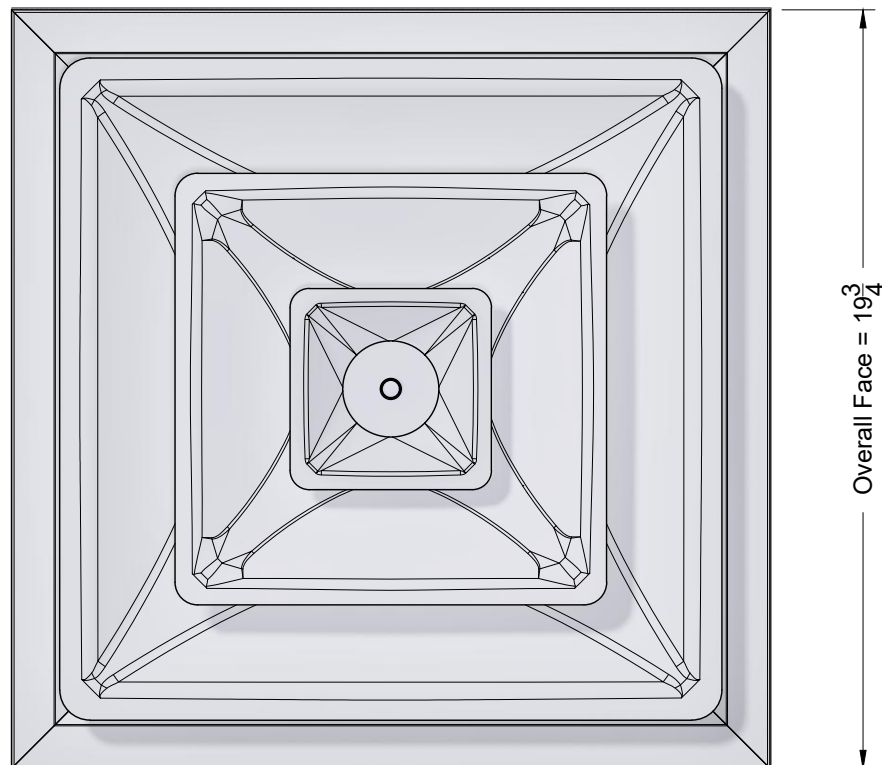
Module Size
24 x 24
12 x 12

Face View

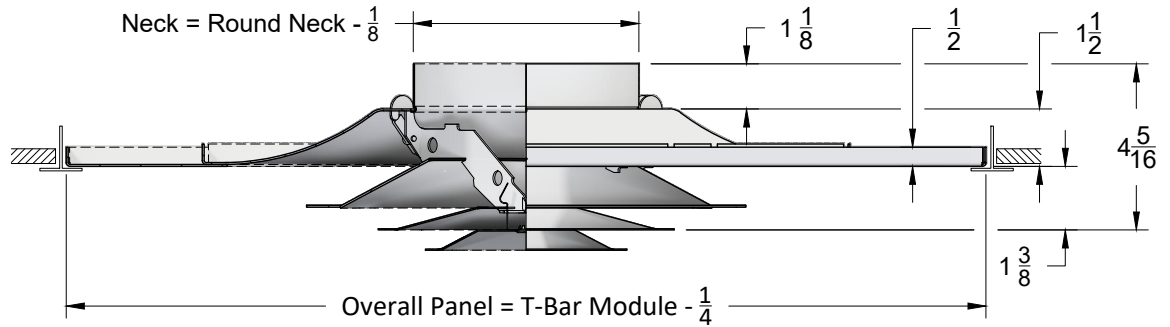




Face View

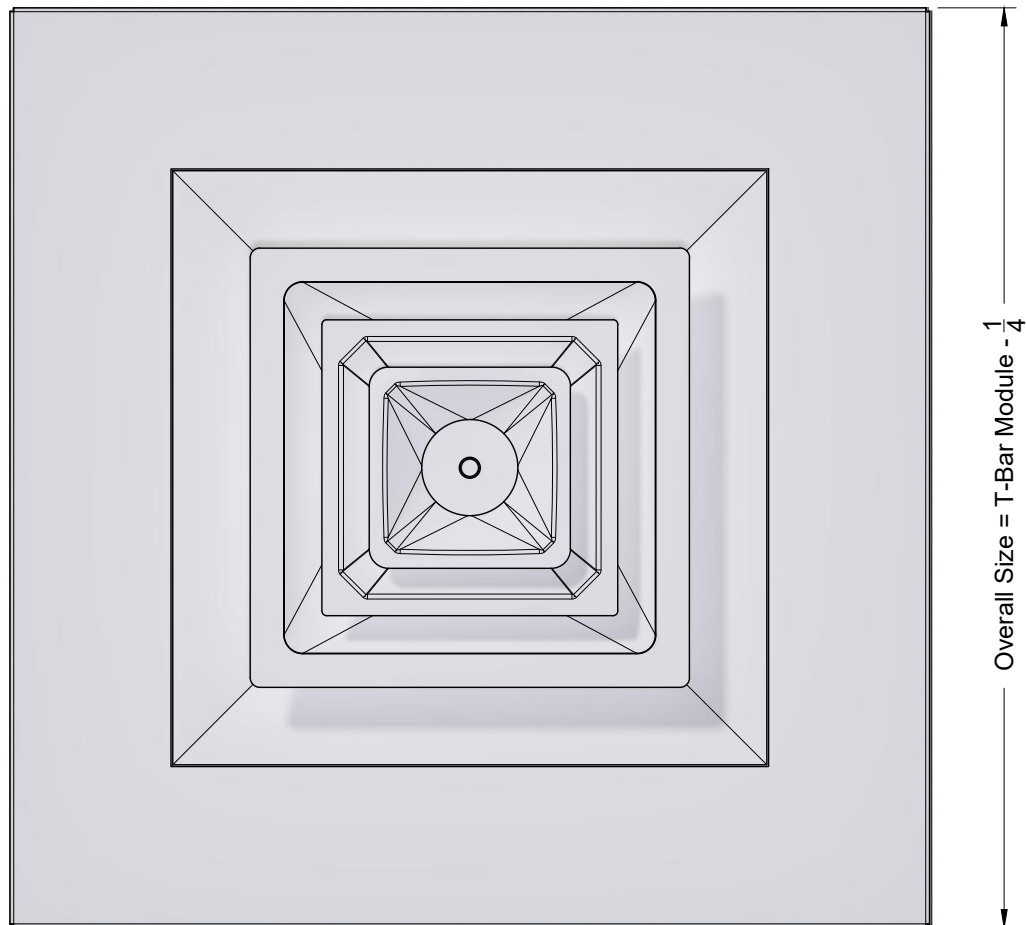


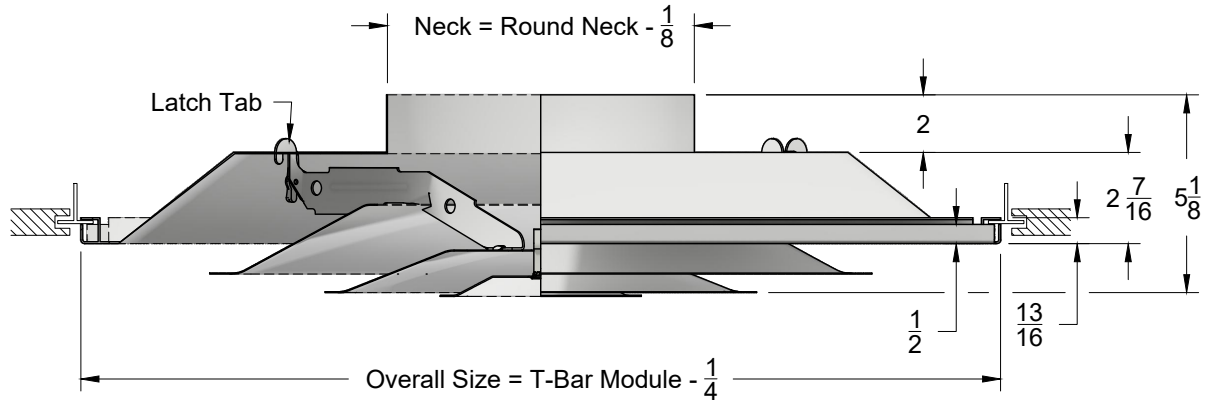
Available Neck Sizes 6, 8, 10



Listed Module Size	
Face	Panel
12 x 12	20 x 20
12 x 12	24 x 24
24 x 24	30 x 30

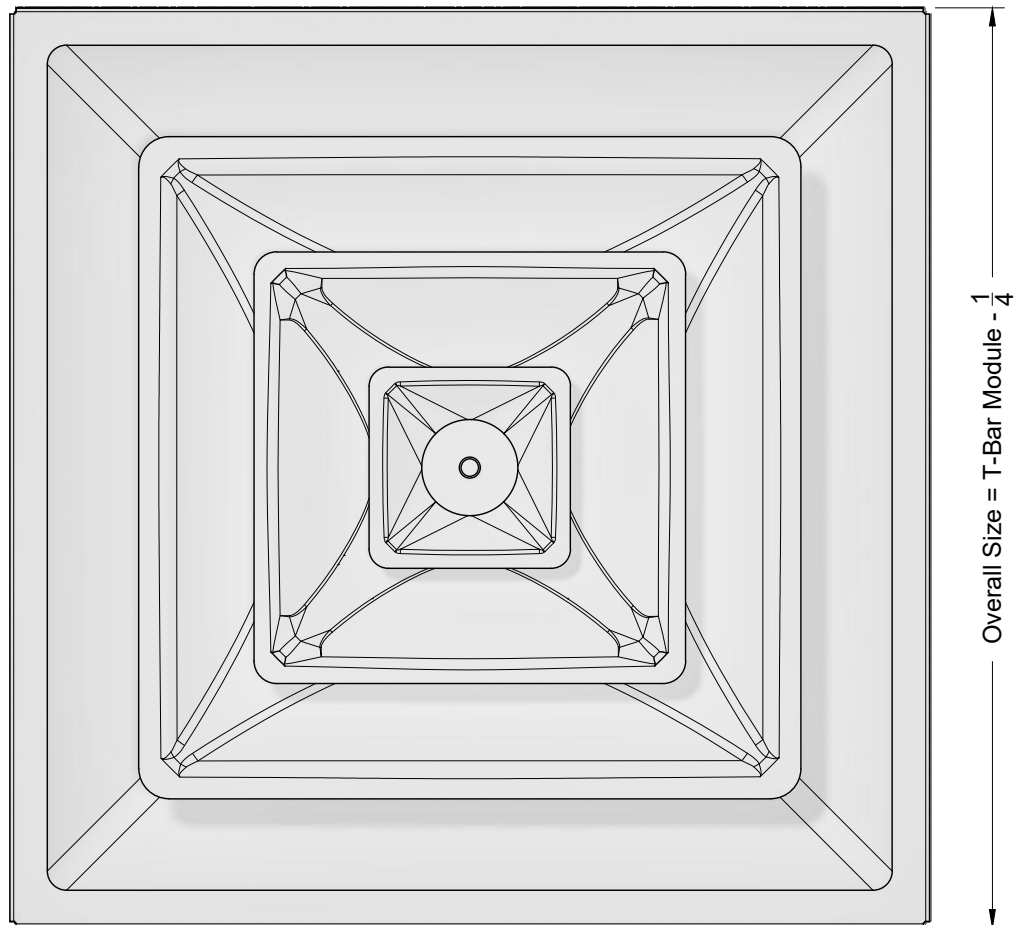
Face View

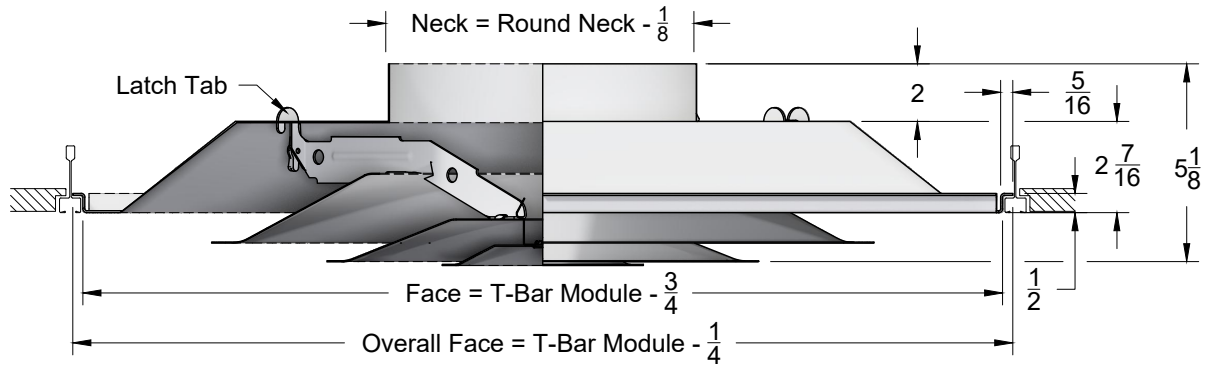




Module Size
24 x 24

Face View





Module Size
24 x 24

Face View

