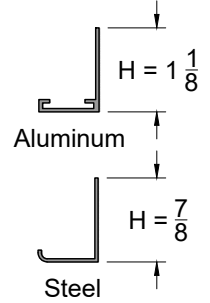
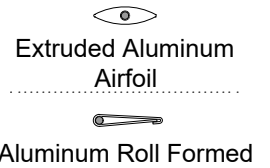




Frame Details



Blade Details

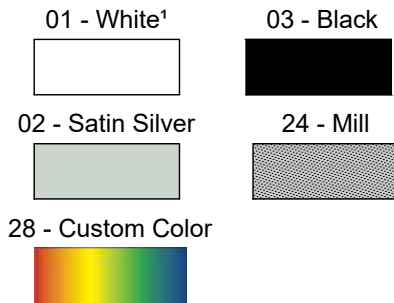


Product Features:

Horizontal Blades

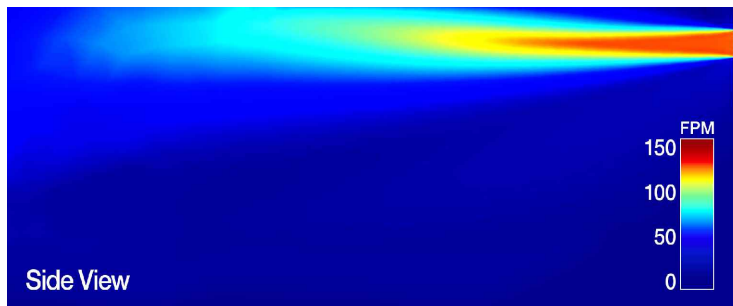
- Adjustable blades can be set to any deflection angle
- Single set of blades can be vertically or horizontally oriented
- Roll-formed aluminum blades standard
- Optional extruded aluminum airfoil blades available
- Available with aluminum or steel frames
- Can be used in surface mount or t-bar grid applications
- Great throw performance with maximum adjustability
- Largest single section size is 48"x48"
- Oversized units are built as multiple sections and come with mullion strips for assembly
- Odd/Fractional sizes available for additional charge

Finishes





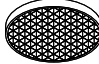

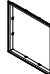



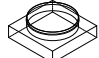
¹ White Finish is suitable for a primer coat if field painting is required.

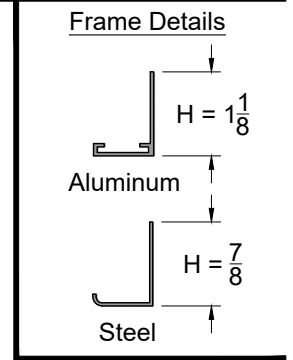
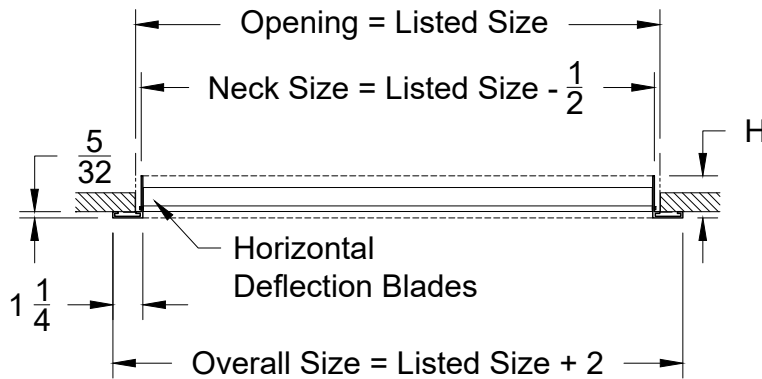
CFD Throw Pattern Visualization



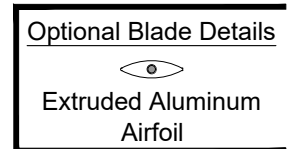
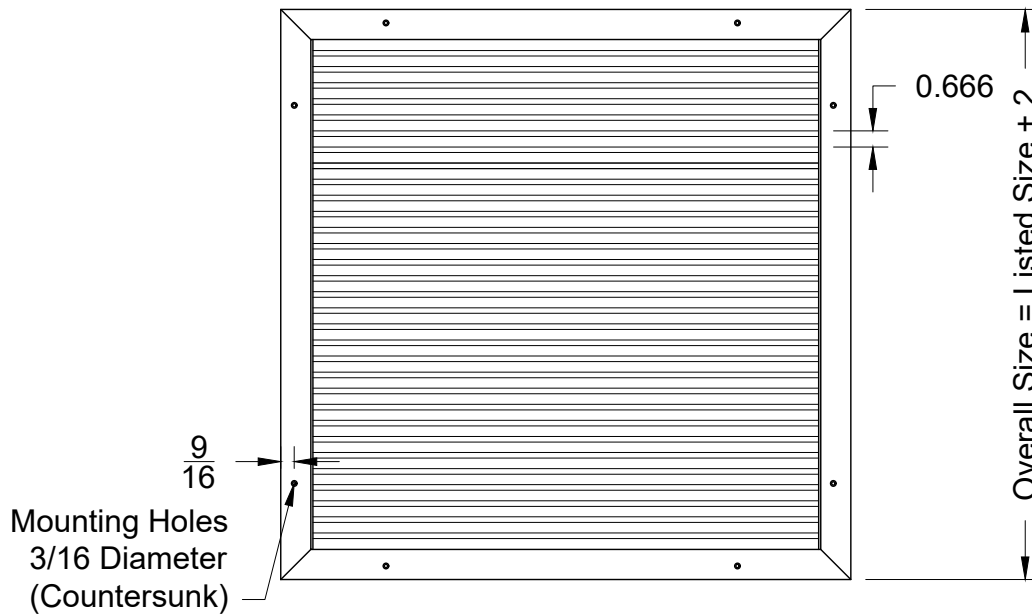
Side View
Isothermal

Optional Accessories:

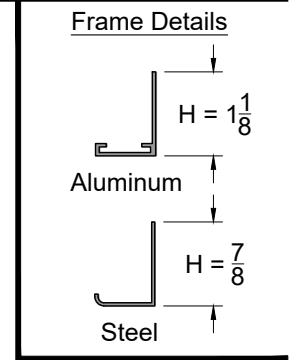
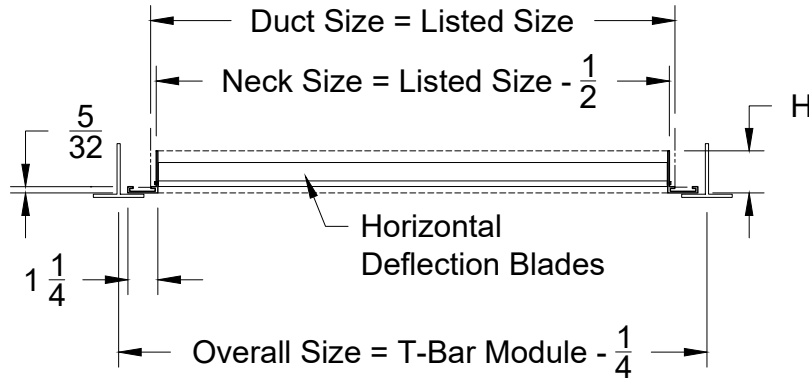
-  OBD - Steel Opposed Blade Damper
-  OBDA - Aluminum Opposed Blade Damper
-  L9 - Equalizing Grid (Square / Rect)
-  G3 - Equalizing Grid (Round)
-  PF - Sidewall Plaster Frame
-  TBPF - T-Bar Plaster Frame
-  LIPF - Lay-In Plaster Frame
-  TR - Square to Round Transition
-  TR-Deep - Deep Transition



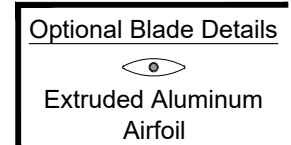
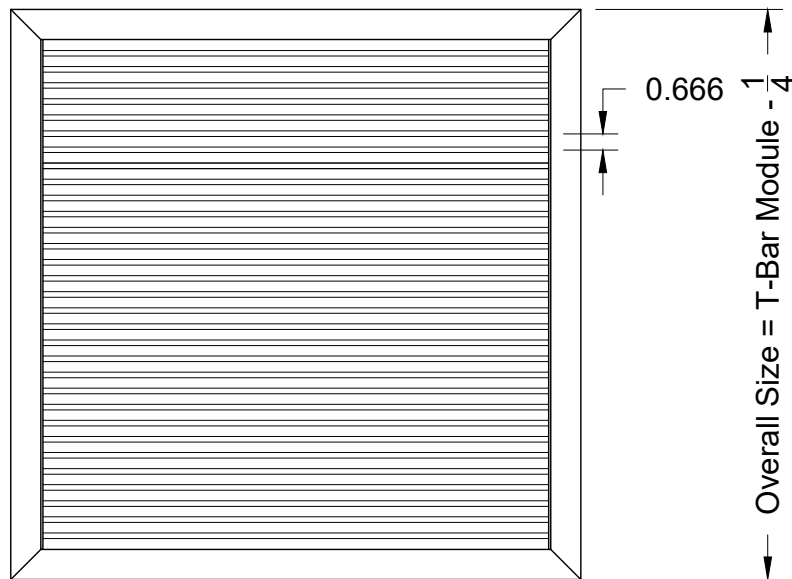
Face View



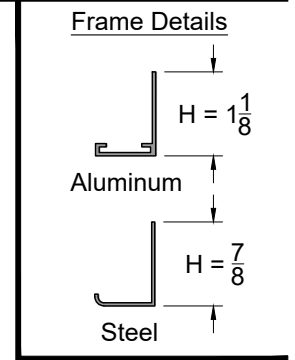
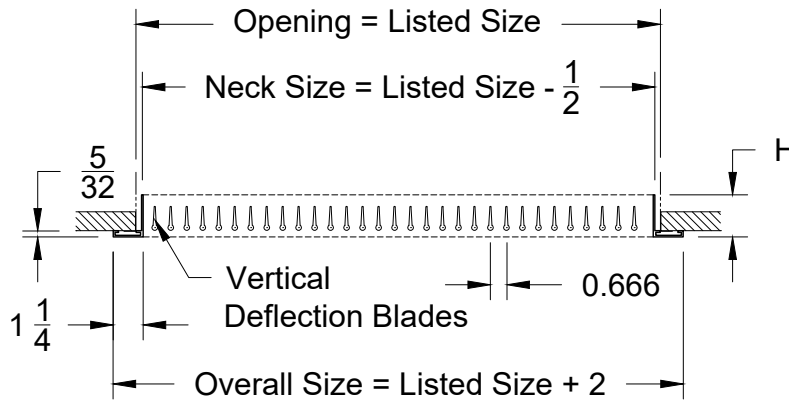
Note: This product complies with NFPA 90A-18 standard 4.3.7.3.2 and 4.3.8.3.2 and is constructed with openings through which a 1/2" sphere can not pass.



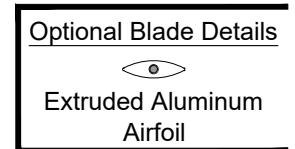
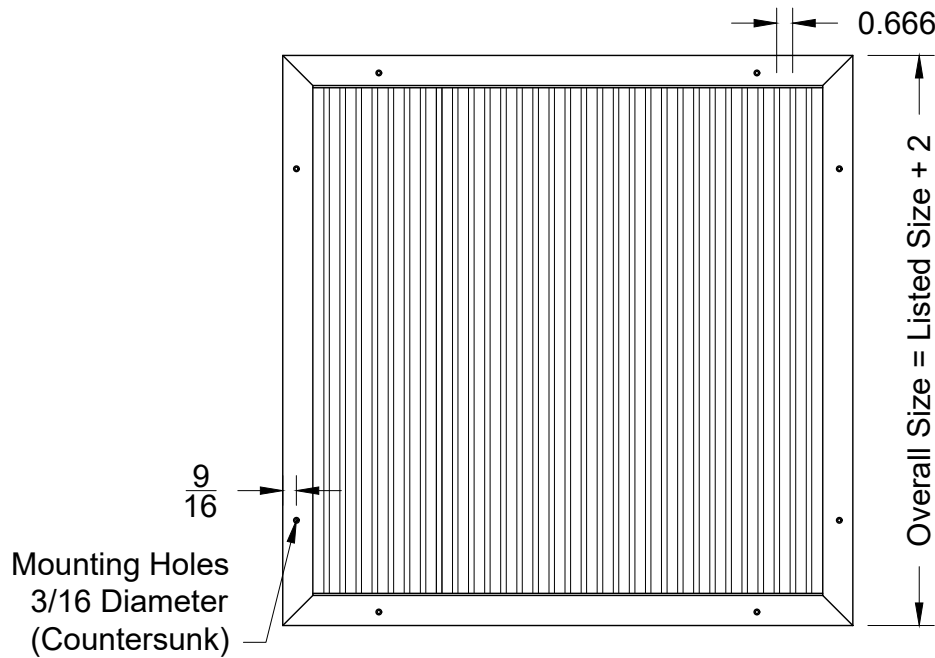
Face View



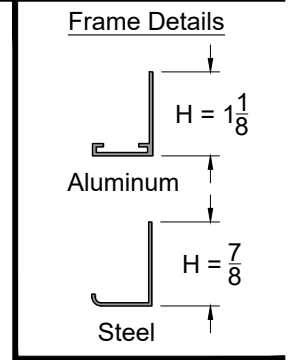
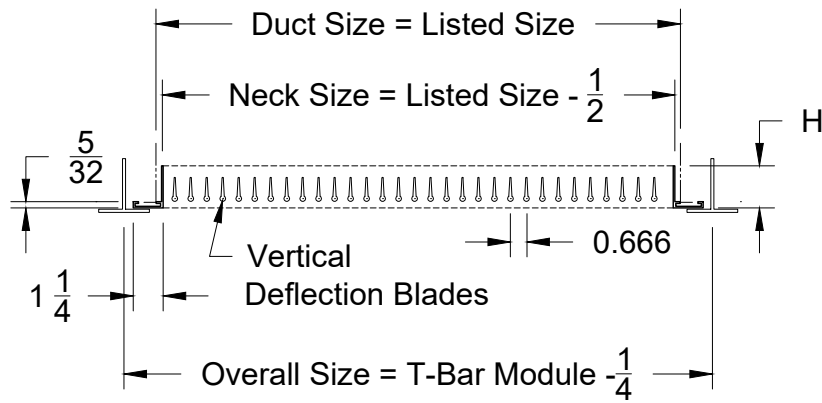
Note: This product complies with NFPA 90A-18 standard 4.3.7.3.2 and 4.3.8.3.2 and is constructed with openings through which a 1/2" sphere can not pass.



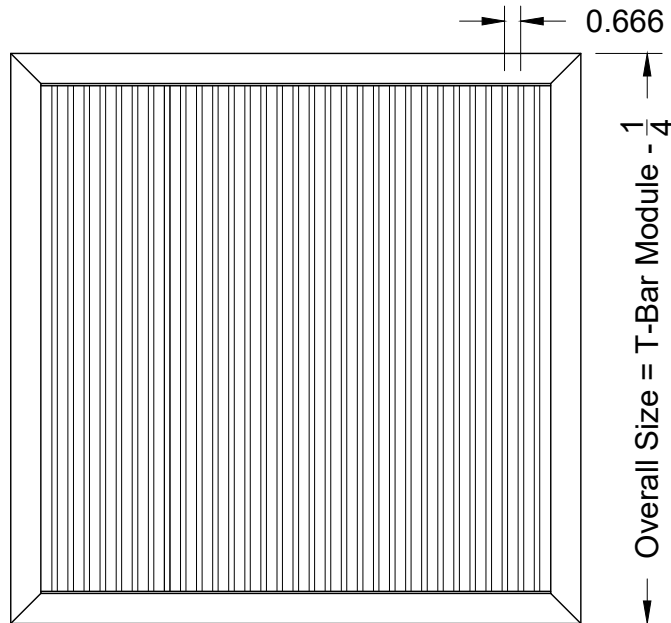
Face View



Note: This product complies with NFPA 90A-18 standard 4.3.7.3.2 and 4.3.8.3.2 and is constructed with openings through which a 1/2" sphere can not pass.



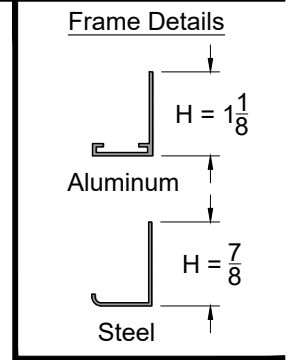
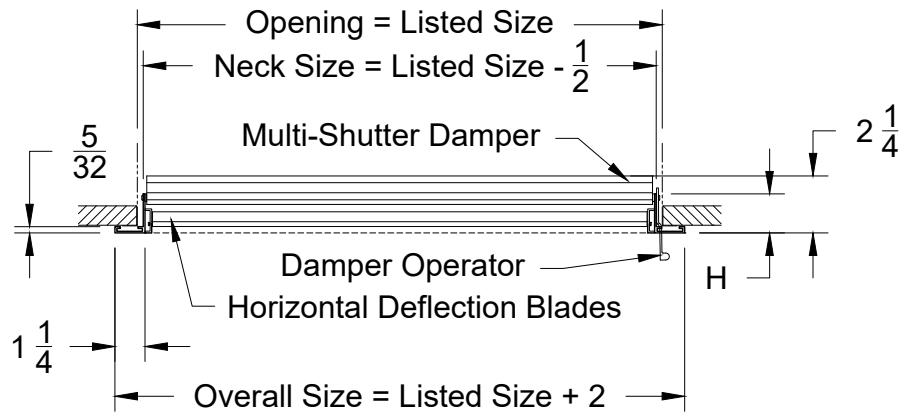
Face View



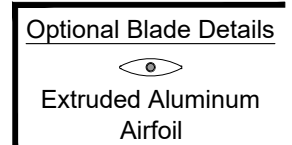
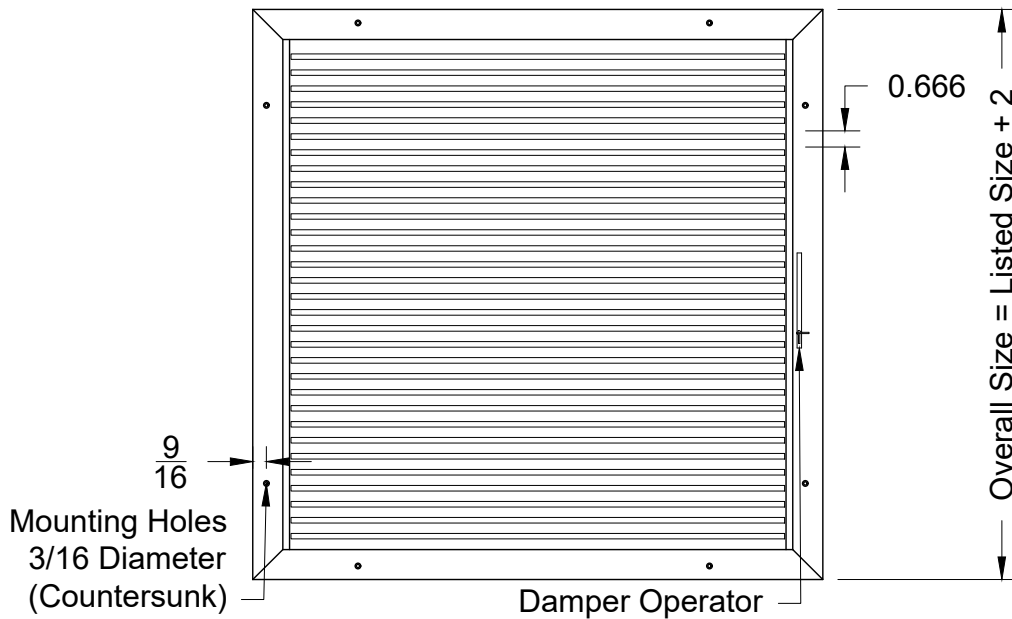
Optional Blade Details



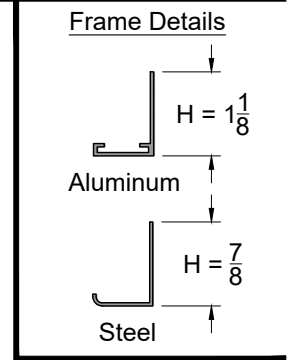
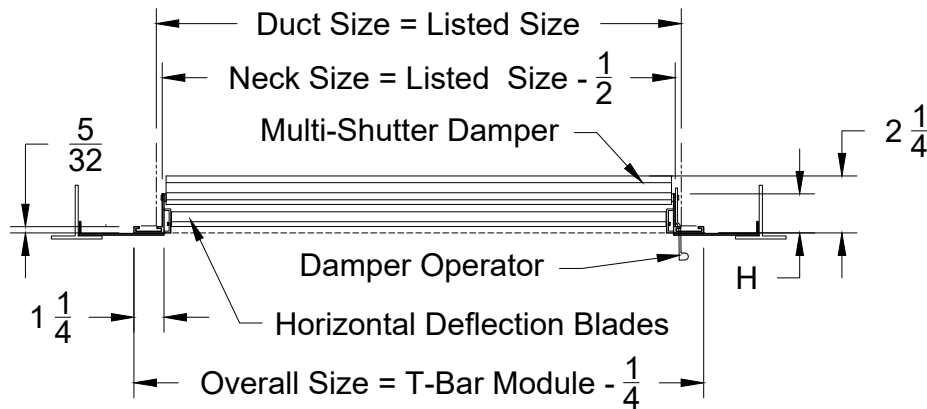
Note: This product complies with NFPA 90A-18 standard 4.3.7.3.2 and 4.3.8.3.2 and is constructed with openings through which a 1/2" sphere can not pass.



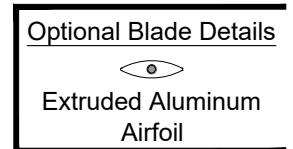
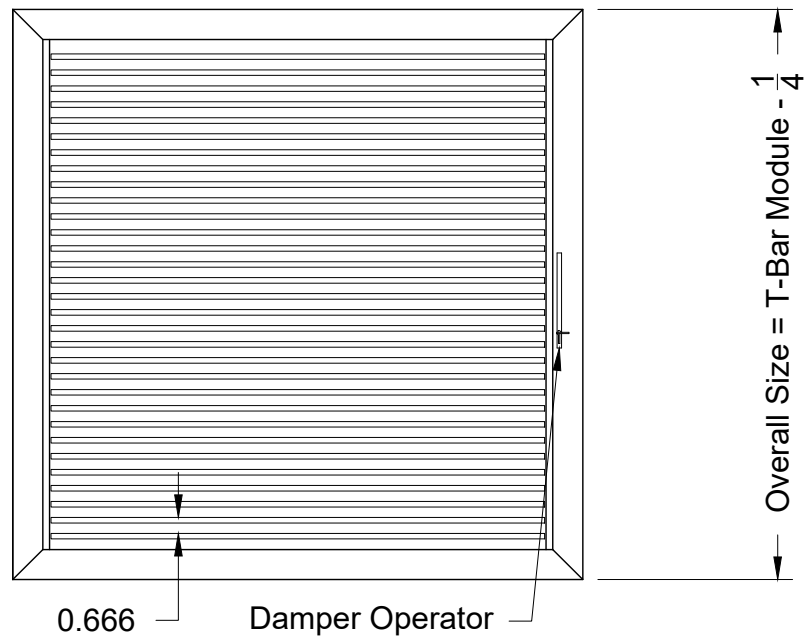
Face View



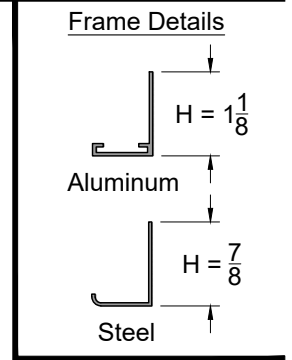
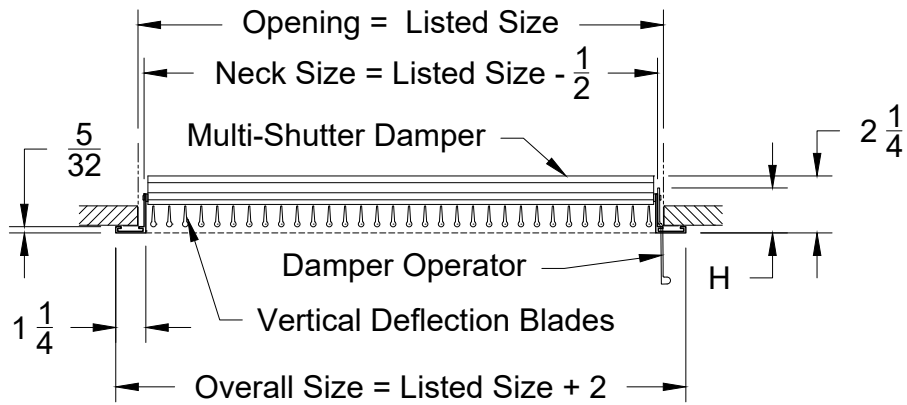
Note: This product complies with NFPA 90A-18 standard 4.3.7.3.2 and 4.3.8.3.2 and is constructed with openings through which a 1/2" sphere can not pass.



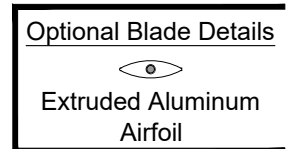
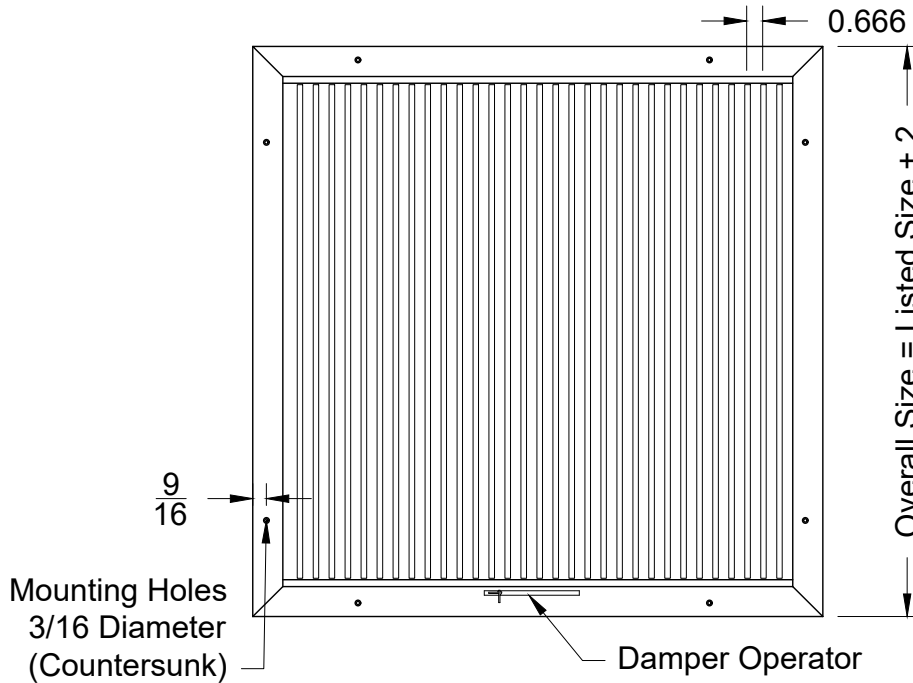
Face View



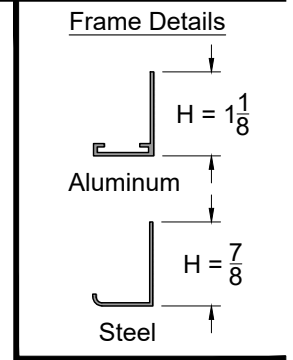
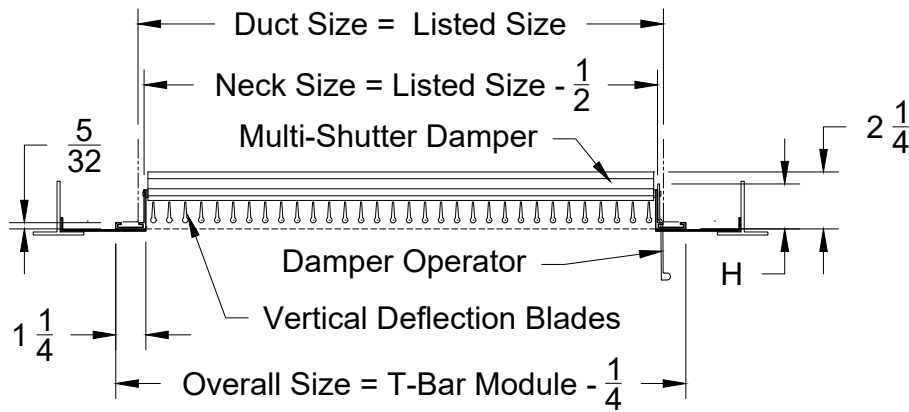
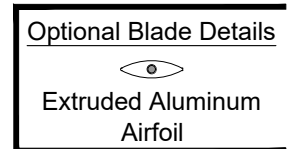
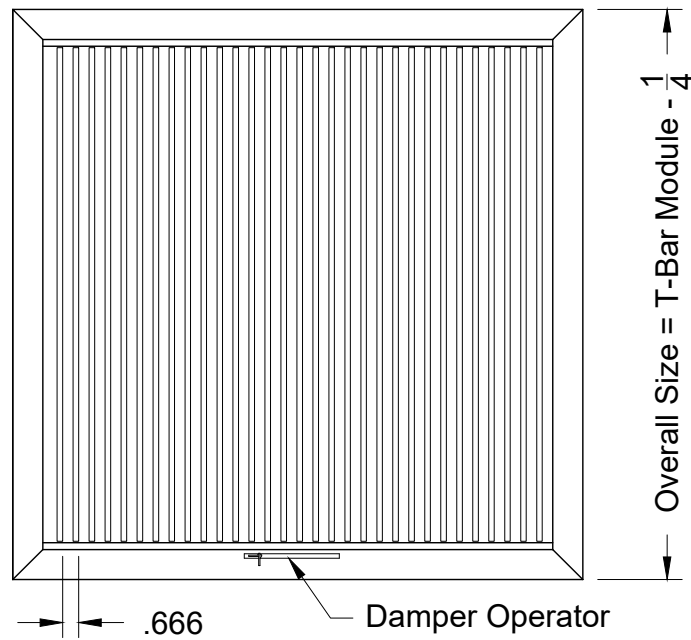
Note: This product complies with NFPA 90A-18 standard 4.3.7.3.2 and 4.3.8.3.2 and is constructed with openings through which a 1/2" sphere can not pass.



Face View



Note: This product complies with NFPA 90A-18 standard 4.3.7.3.2 and 4.3.8.3.2 and is constructed with openings through which a 1/2" sphere can not pass.


Face View


Note: This product complies with NFPA 90A-18 standard 4.3.7.3.2 and 4.3.8.3.2 and is constructed with openings through which a 1/2" sphere can not pass.