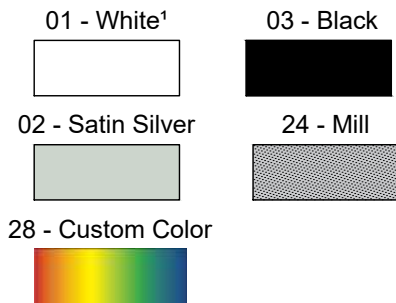




Product Features:

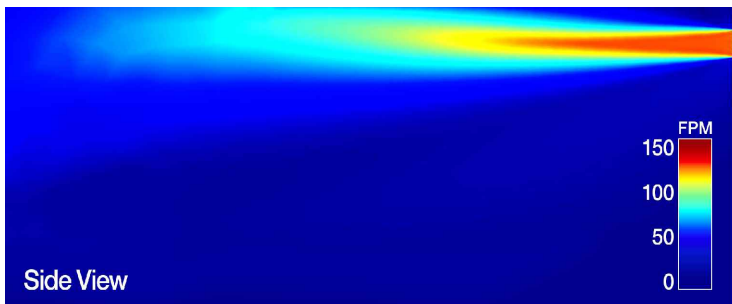
- Adjustable blades can be set to any deflection angle
 SGV: Single set of vertical adjustable blades
 SGVH: Two sets of adjustable blades
- Available with one-piece aluminum stamped frames
- Only available for Flush Surface Mount applications
- Great throw performance with maximum adjustability
- Largest rectangular size available is 14x8"
- Largest square size available is 12x12"
- Roll-formed aluminum blades standard

Finishes




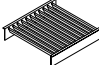
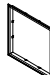

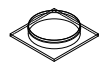
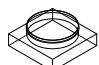
¹ White Finish is suitable for a primer coat if field painting is required.

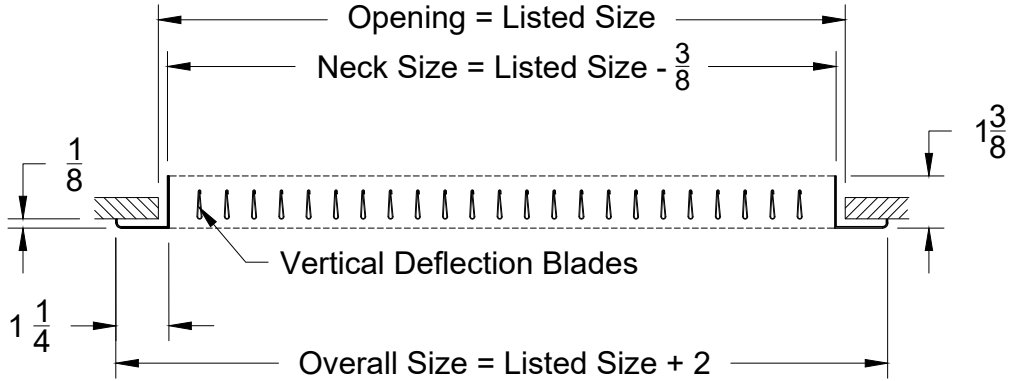
CFD Throw Pattern Visualization



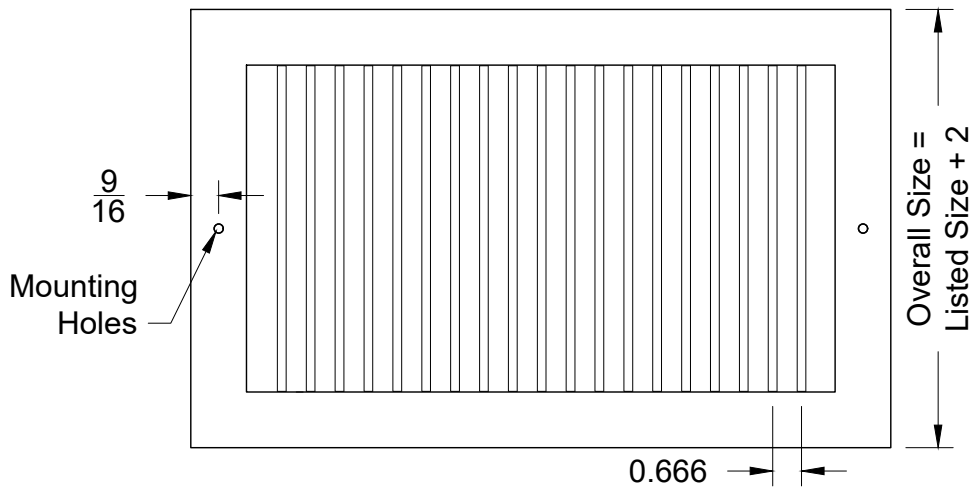
Side View
 Isothermal

Optional Accessories:

-  OBD - Steel Opposed Blade Damper
 OBDA - Aluminum Opposed Blade Damper
-  L9 - Equalizing Grid (Square / Rect)
-  PF - Sidewall Plaster Frame
-  LIPF - Lay-In Plaster Frame
-  TR - Square to Round Transition
-  TR-Deep - Deep Transition

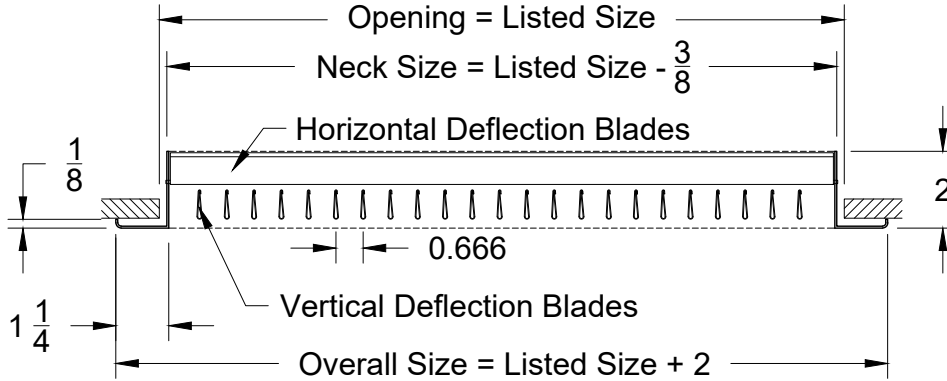


Face View

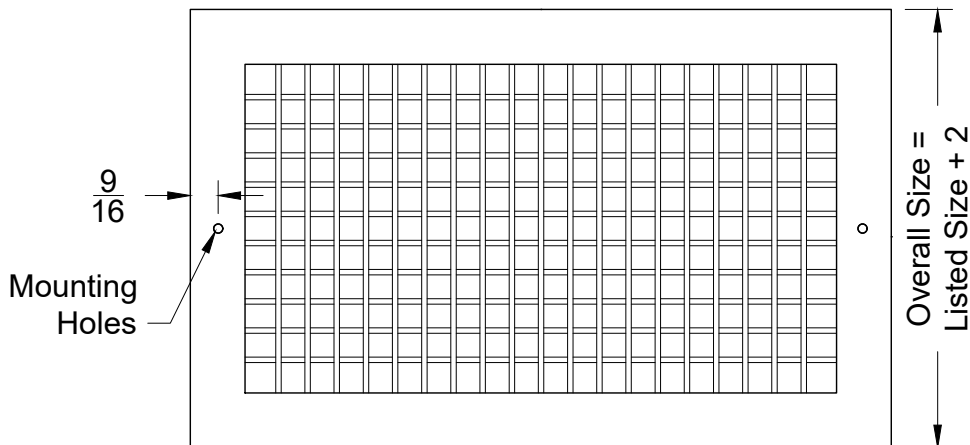


Available Sizes	
8 x 4	12 x 4
8 x 6	12 x 6
10 x 4	14 x 4
10 x 6	14 x 6
10 x 8	14 x 8

Note: This product complies with NFPA 90A-18 standard 4.3.7.3.2 and 4.3.8.3.2 and is constructed with openings through which a 1/2" sphere can not pass.

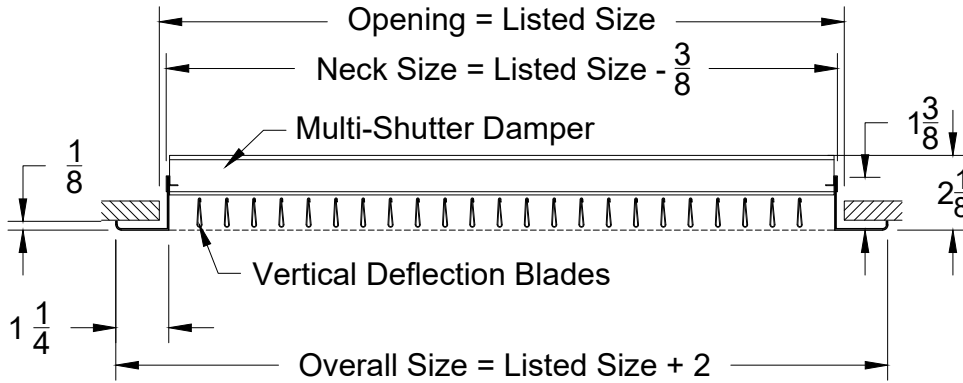


Face View

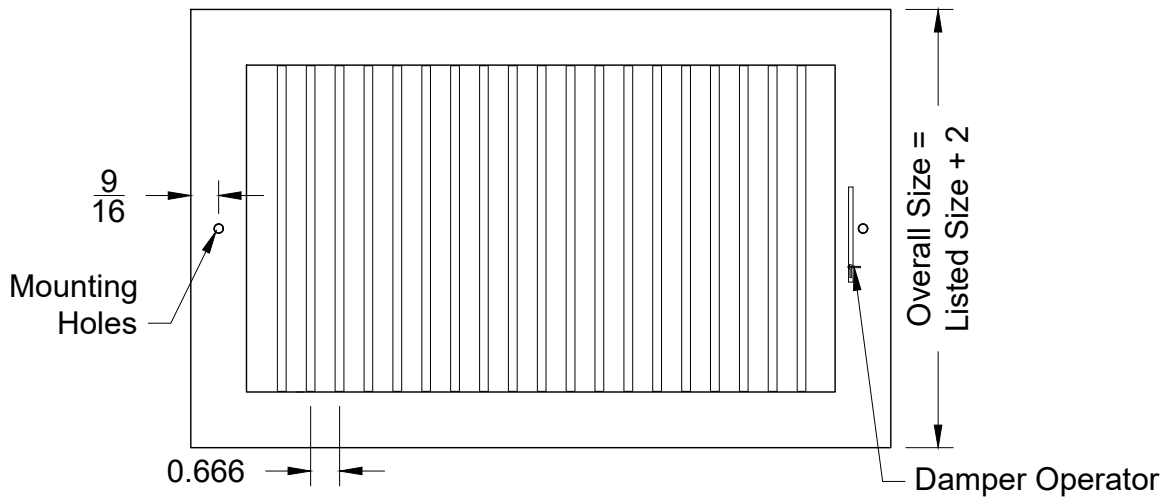


Available Sizes	
8 x 4	12 x 4
8 x 6	12 x 6
10 x 4	14 x 4
10 x 6	14 x 6
10 x 8	14 x 8

Note: This product complies with NFPA 90A-18 standard 4.3.7.3.2 and 4.3.8.3.2 and is constructed with openings through which a 1/2" sphere can not pass.



Face View



Available Sizes	
8 x 4	12 x 4
8 x 6	12 x 6
10 x 4	14 x 4
10 x 6	14 x 6
10 x 8	14 x 8

Note: This product complies with NFPA 90A-18 standard 4.3.7.3.2 and 4.3.8.3.2 and is constructed with openings through which a 1/2" sphere can not pass.