






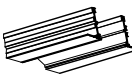

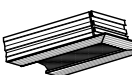
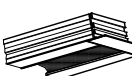
Product Features:

- LSDMC Mitered corners can come in 45, 90 or 135 degree angles.
- Can be used with hanger brackets for concealed mounting.
- Various frame types are available for different applications:
 - AA- 1-1/8" Border
 - BB - 3/4" Border
 - CC - 1-13/16" Tape & Spackle
 - DD - 25/32" Border
 - FF - 1/2" Border
- Model LSDMC is available in slot widths from 1/2", 3/4" & 1 1/2" wide.
- Includes pattern controllers to adjust airflow pattern.

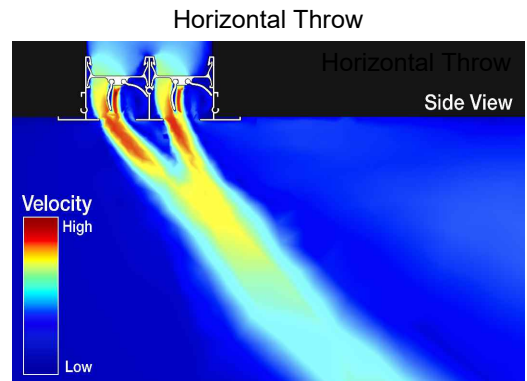
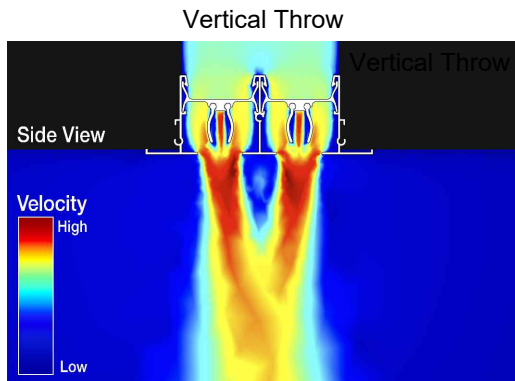
Finishes

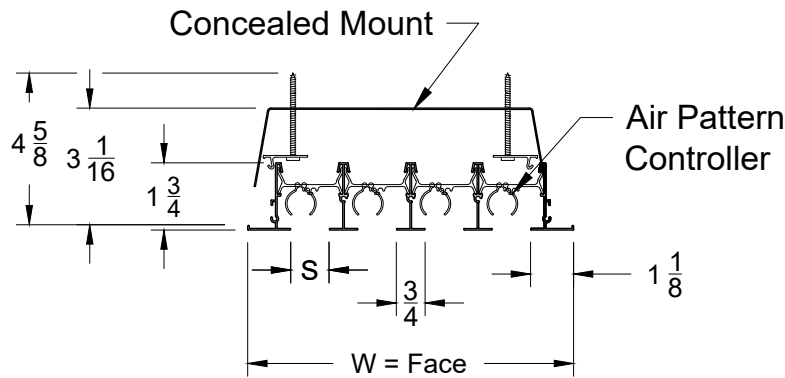
<p>01 - White¹</p> 	<p>03 - Black</p> 	<p>¹ White Finish is suitable for a primer coat if field painting is required.</p>
<p>20 - White/Black</p> 		

Optional Accessories:

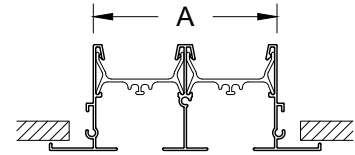
	Open End (O)
	End Cap (EC)
	Mitered (M)
	End Border (EB)

CFD Throw Pattern Visualization

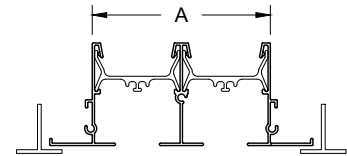




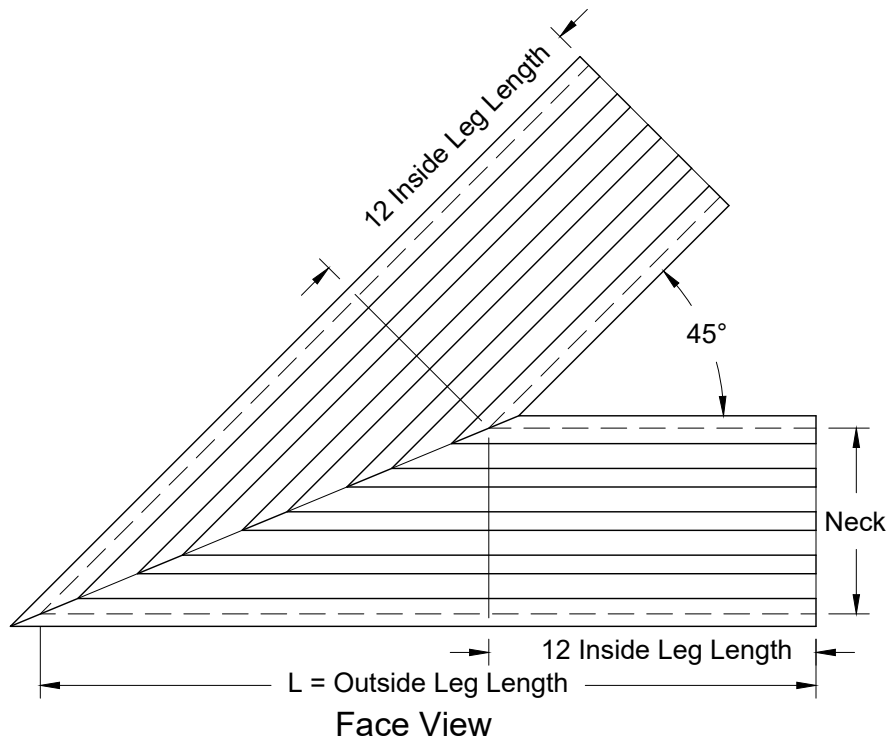
End View



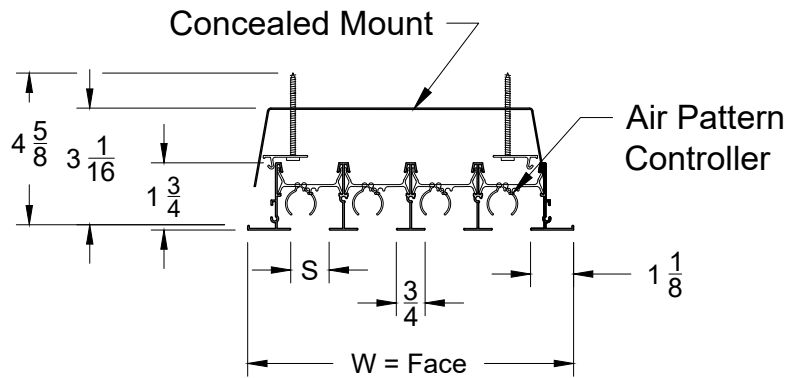
Surface Mount



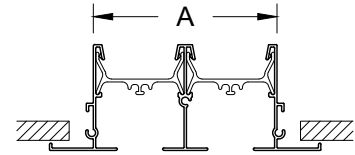
Lay-In T-Bar



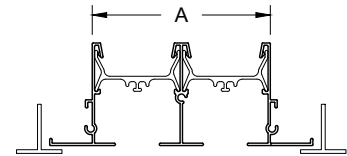
LSDMC-AA-45				
S = Slots	Outside Leg	Neck	Face	
	L	A	W	
1/2" Slots	1	15 3/16	1 5/16	2 3/4
	2	18 3/16	2 9/16	4
	3	21 3/16	3 13/16	5 1/4
	4	24 1/4	5 1/16	6 1/2
	5	27 1/4	6 5/16	7 3/4
	6	30 1/4	7 9/16	9
	7	33 1/4	8 13/16	10 1/4
	8	36 5/16	10 1/16	11 1/2
3/4" Slots	1	15 3/4	1 9/16	3
	2	19 3/8	3 1/16	4 1/2
	3	23	4 9/16	6
	4	26 5/8	6 1/16	7 1/2
	5	30 1/4	7 9/16	9
	6	33 7/8	9 1/16	10 3/4
	7	37 1/2	10 9/16	12
	8	41 1/8	12 1/16	13 1/2
1" Slots	1	16 3/8	1 13/16	3 1/4
	2	20 5/8	3 9/16	5
	3	24 13/16	5 5/16	6 5/8
	4	29 1/16	7 1/16	8 1/2
	5	33 1/4	8 13/16	10 1/4
	6	37 1/2	10 9/16	12
	7	41 3/4	12 5/16	13 3/4
	8	45 15/16	14 1/16	15 1/2
1 1/2" Slots	1	17 9/16	2 5/16	3 3/4
	2	23	4 9/16	6
	3	28 7/16	6 13/16	8 1/4
	4	33 7/8	9 1/16	10 1/2



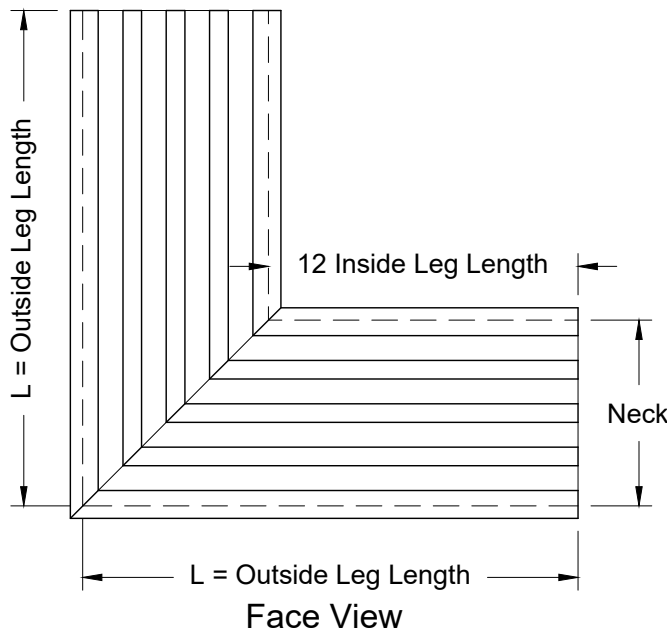
End View



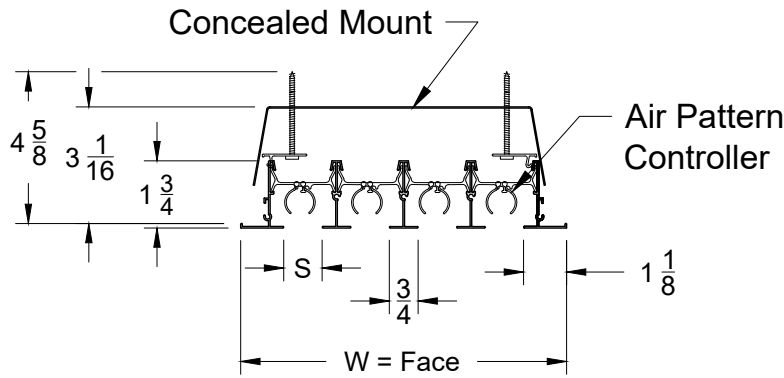
Surface Mount



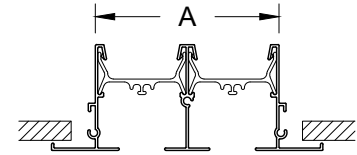
Lay-In T-Bar



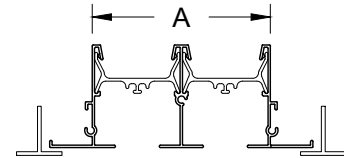
LSDMC-AA-90			
S = Slots	Outside Leg	Neck	Face
	L	A	W
1	13 5/16	1 5/16	2 3/4
2	14 9/16	2 9/16	4
3	15 13/16	3 13/16	5 1/4
4	17 1/16	5 1/16	6 1/2
5	18 5/16	6 5/16	7 3/4
6	19 9/16	7 9/16	9
7	20 13/16	8 13/16	10 1/4
8	22 1/16	10 1/16	11 1/2
1	13 9/16	1 9/16	3
2	15 1/16	3 1/16	4 1/2
3	16 9/16	4 9/16	6
4	18 1/16	6 1/16	7 1/2
5	19 9/16	7 9/16	9
6	21 1/16	9 1/16	10 3/4
7	22 9/16	10 9/16	12
8	24 1/16	12 1/16	13 1/2
1	13 13/16	1 13/16	3 1/4
2	15 9/16	3 9/16	5
3	17 5/16	5 5/16	6 5/8
4	19 1/16	7 1/16	8 1/2
5	20 13/16	8 13/16	10 1/4
6	22 9/16	10 9/16	12
7	24 5/16	12 5/16	13 3/4
8	26 1/16	14 1/16	15 1/2
1	14 5/16	2 5/16	3 3/4
2	16 9/16	4 9/16	6
3	18 13/16	6 13/16	8 1/4
4	21 1/16	9 1/16	10 1/2



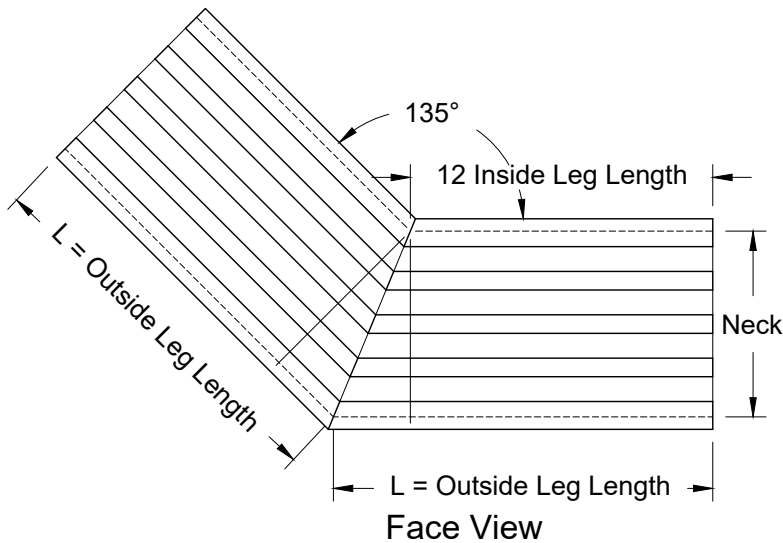
End View



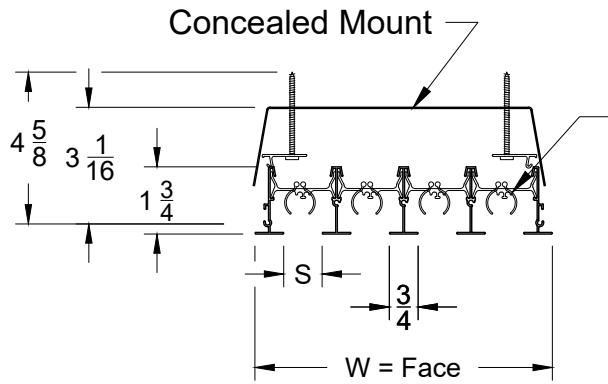
Surface Mount



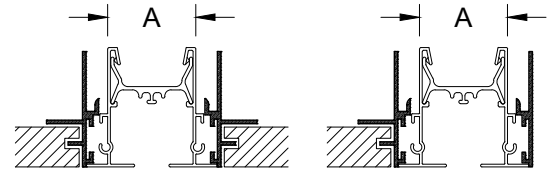
Lay-In T-Bar



LSDMC-AA-135			
S = Slots	Outside Leg	Neck	Face
	L	A	W
1	12 9/16	1 5/16	2 3/4
2	13 1/16	2 9/16	4
3	13 9/16	3 13/16	5 1/4
4	14 1/8	5 1/16	6 1/2
5	14 5/8	6 5/16	7 3/4
6	15 1/8	7 9/16	9
7	15 5/8	8 13/16	10 1/4
8	16 3/16	10 1/16	11 1/2
1	12 5/8	1 9/16	3
2	13 1/4	3 1/16	4 1/2
3	13 7/8	4 9/16	6
4	14 1/2	6 1/16	7 1/2
5	15 1/8	7 9/16	9
6	15 3/4	9 1/16	10 3/4
7	16 3/8	10 9/16	12
8	17	12 1/16	13 1/2
1	12 3/4	1 13/16	3 1/4
2	13 1/2	3 9/16	5
3	14 3/16	5 5/16	6 5/8
4	14 15/16	7 1/16	8 1/2
5	15 5/8	8 13/16	10 1/4
6	16 3/8	10 9/16	12
7	17 1/8	12 5/16	13 3/4
8	17 13/16	14 1/16	15 1/2
1	12 15/16	2 5/16	3 3/4
2	13 7/8	4 9/16	6
3	14 13/16	6 13/16	8 1/4
4	15 3/4	9 1/16	10 1/2



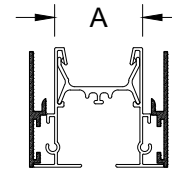
End View



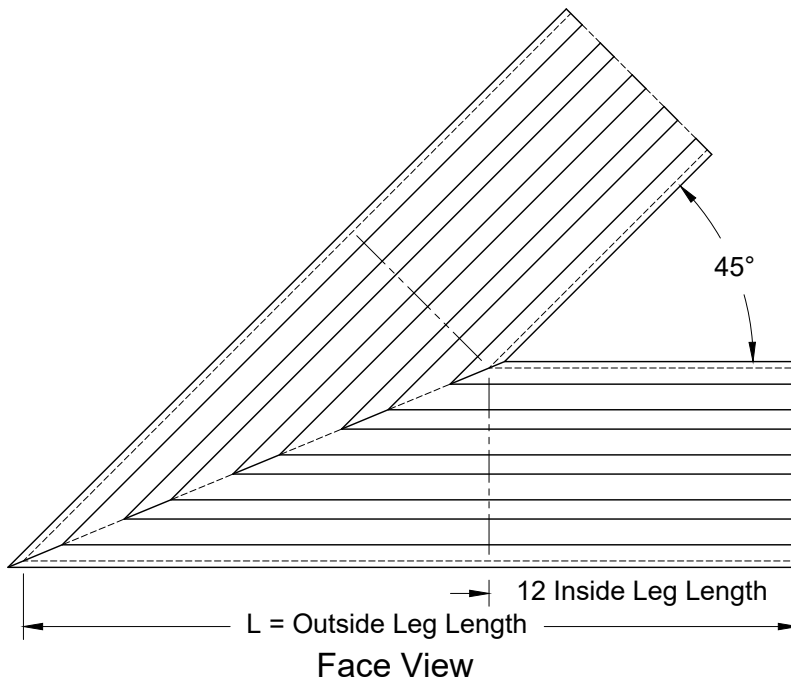
Air Pattern Controller

(73) Both Spline Frames

(74) Spline & Wall Frames

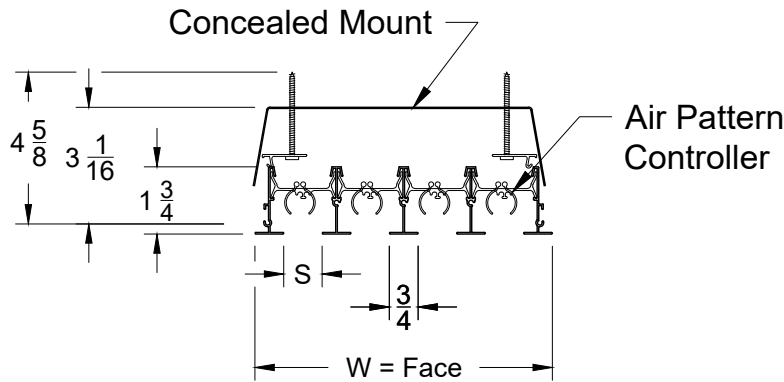


(75) Both Wall Frames

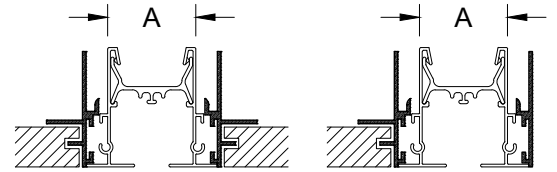


Face View

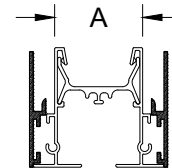
LSDMC-BB-45				
S = Slots		Outside Leg	Neck	Face
		L	A	W
1/2" Slots	1	16 13/16	1 5/16	2
	2	19 7/8	2 9/16	3 1/4
	3	22 7/8	3 13/16	4 1/2
	4	25 7/8	5 1/16	5 3/4
	5	28 7/8	6 5/16	7
	6	31 15/16	7 9/16	8 1/4
	7	34 15/16	8 13/16	9 1/2
	8	37 15/16	10 1/16	10 3/4
3/4" Slots	1	17 7/16	1 9/16	2 1/4
	2	21 1/16	3 1/16	3 3/4
	3	24 11/16	4 9/16	5 1/4
	4	28 5/16	6 1/16	6 3/4
	5	31 15/16	7 9/16	8 1/4
	6	35 9/16	9 1/16	9 3/4
	7	39 3/16	10 9/16	11 1/4
	8	42 3/4	12 1/16	12 3/4
1" Slots	1	18 1/16	1 13/16	2 1/2
	2	22 1/4	3 9/16	4 1/4
	3	26 1/2	5 5/16	6
	4	30 11/16	7 1/16	7 3/4
	5	34 15/16	8 13/16	9 1/2
	6	39 3/16	10 9/16	11 1/4
	7	43 3/8	12 5/16	13
	8	47 5/8	14 1/16	14 3/4
1 1/2" Slots	1	19 1/4	2 5/16	3
	2	24 11/16	4 9/16	5 1/4
	3	30 1/8	6 13/16	7 1/2
	4	35 9/16	9 1/16	9 3/4



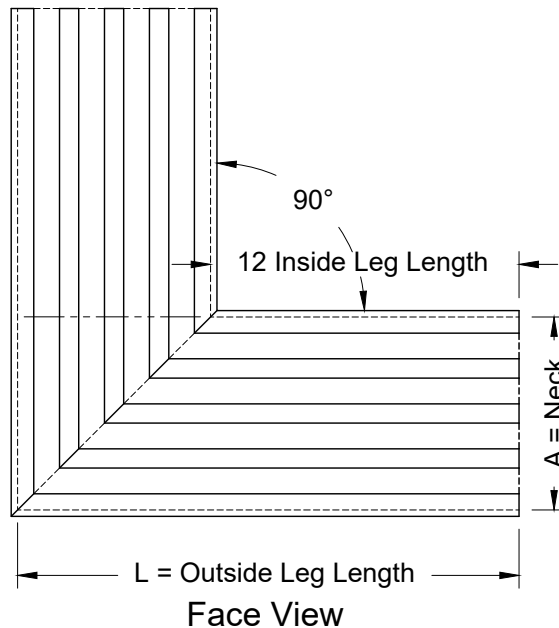
End View



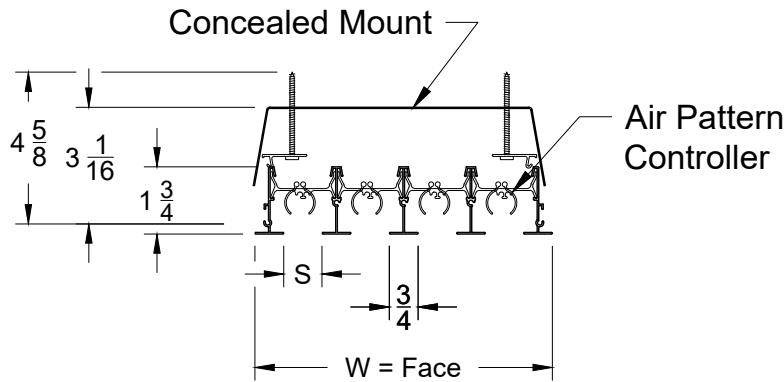
(73) Both Spline Frames
(74) Spline & Wall Frames



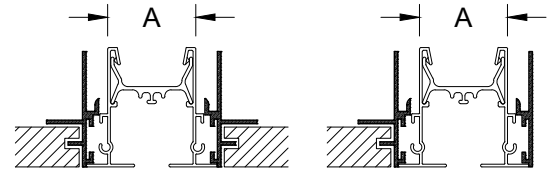
(75) Both Wall Frames



LSDMC-BB-90				
S = Slots		Outside Leg	Neck	Face
		L	A	W
1/2" Slots	1	14 1/8	1 5/16	2
	2	15 3/8	2 9/16	3 1/4
	3	16 5/8	3 13/16	4 1/2
	4	17 7/8	5 1/16	5 3/4
	5	19 1/8	6 5/16	7
	6	20 3/8	7 9/16	8 1/4
	7	21 5/8	8 13/16	9 1/2
	8	22 7/8	10 1/16	10 3/4
3/4" Slots	1	14 3/8	1 9/16	2 1/4
	2	15 7/8	3 1/16	3 3/4
	3	17 3/8	4 9/16	5 1/4
	4	18 7/8	6 1/16	6 3/4
	5	20 3/8	7 9/16	8 1/4
	6	21 7/8	9 1/16	9 3/4
	7	23 3/8	10 9/16	11 1/4
	8	24 7/8	12 1/16	12 3/4
1" Slots	1	14 5/8	1 13/16	2 1/2
	2	16 3/8	3 9/16	4 1/4
	3	18 1/8	5 5/16	6
	4	19 7/8	7 1/16	7 3/4
	5	21 5/8	8 13/16	9 1/2
	6	23 3/8	10 9/16	11 1/4
	7	25 1/8	12 5/16	13
	8	26 7/8	14 1/16	14 3/4
1 1/2" Slots	1	15 1/8	2 5/16	3
	2	17 3/8	4 9/16	5 1/4
	3	19 5/8	6 13/16	7 1/2
	4	21 7/8	9 1/16	9 3/4

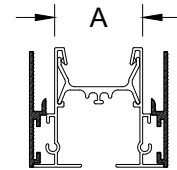


End View

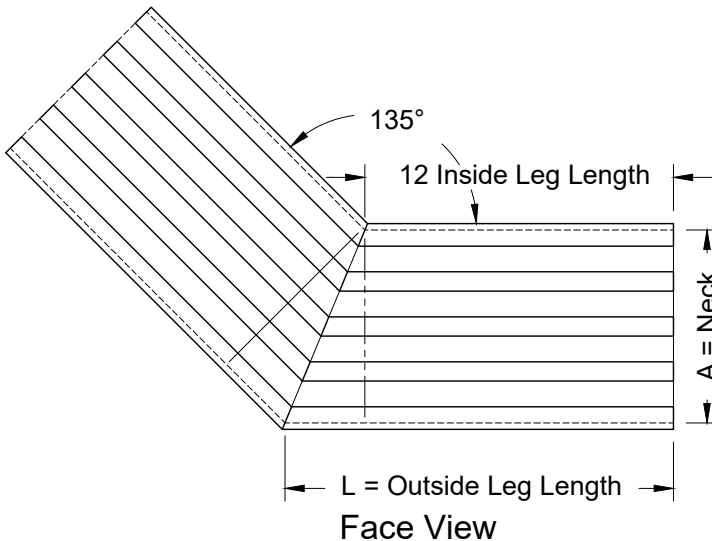


(73) Both Spline Frames

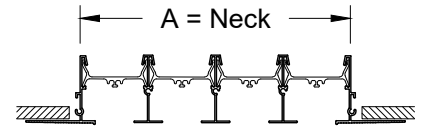
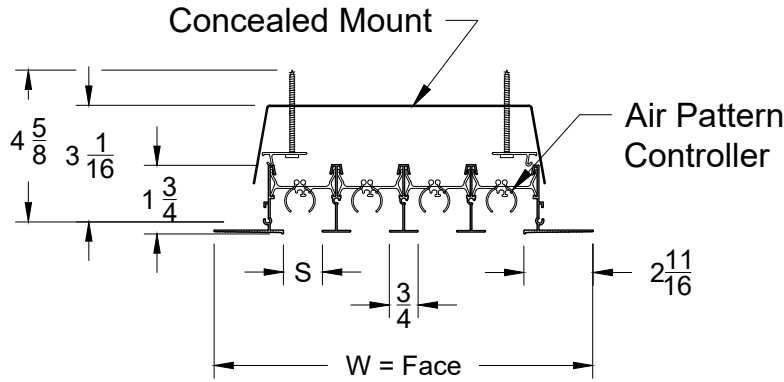
(74) Spline & Wall Frames



(75) Both Wall Frames

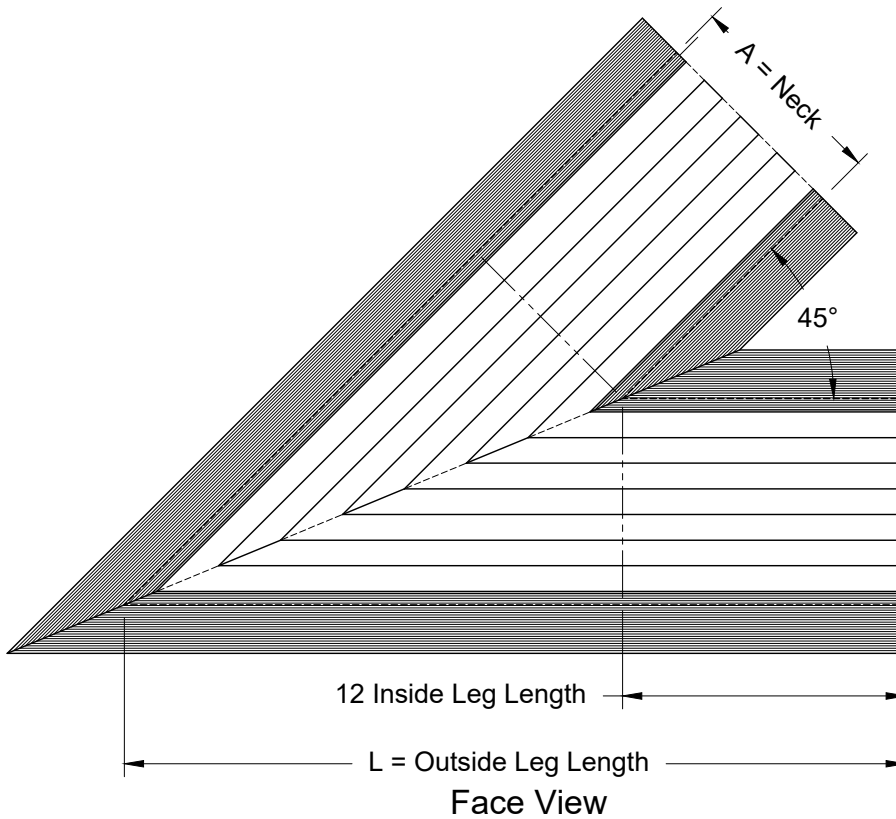


LSDMC-BB-135				
S = Slots		Outside Leg	Neck	Face
		L	A	W
1/2" Slots	1	12 13/16	1 5/16	2
	2	13 3/8	2 9/16	3 1/4
	3	13 7/8	3 13/16	4 1/2
	4	14 3/8	5 1/16	5 3/4
	5	14 7/8	6 5/16	7
	6	15 7/16	7 9/16	8 1/4
	7	15 15/16	8 13/16	9 1/2
	8	16 7/16	10 1/16	10 3/4
3/4" Slots	1	12 15/16	1 9/16	2 1/4
	2	13 9/16	3 1/16	3 3/4
	3	14 3/16	4 9/16	5 1/4
	4	14 13/16	6 1/16	6 3/4
	5	15 7/16	7 9/16	8 1/4
	6	16 1/16	9 1/16	9 3/4
	7	16 11/16	10 9/16	11 1/4
	8	17 1/4	12 1/16	12 3/4
1" Slots	1	13 1/16	1 13/16	2 1/2
	2	13 3/4	3 9/16	4 1/4
	3	14 1/2	5 5/16	6
	4	15 3/16	7 1/16	7 3/4
	5	15 15/16	8 13/16	9 1/2
	6	16 11/16	10 9/16	11 1/4
	7	17 3/8	12 5/16	13
	8	18 1/8	14 1/16	14 3/4
1 1/2" Slots	1	13 1/4	2 5/16	3
	2	14 3/16	4 9/16	5 1/4
	3	15 1/8	6 13/16	7 1/2
	4	16 1/16	9 1/16	9 3/4

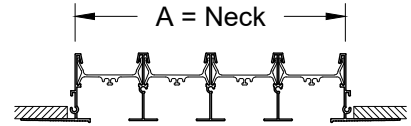
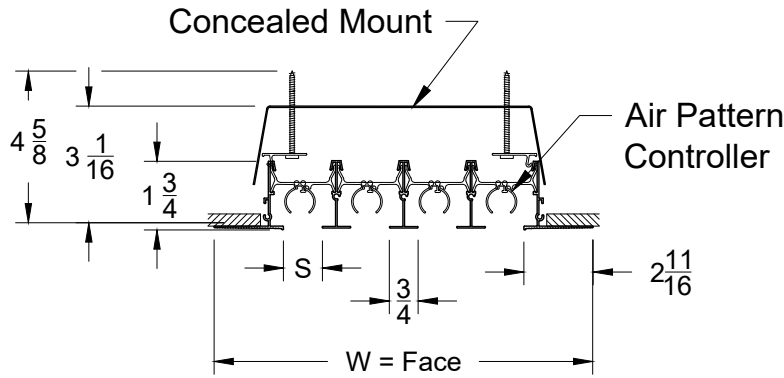


End View

End View

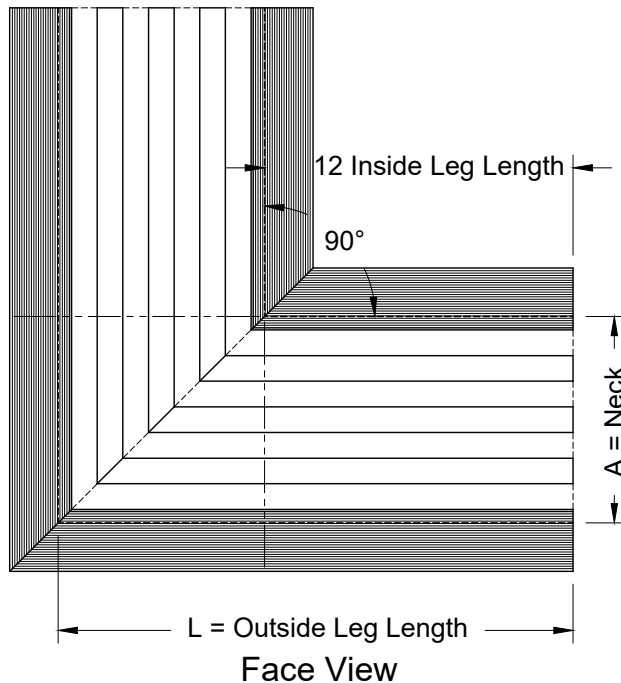


LSDMC-CC-45			
S = Slots	Outside Leg	Neck	Face
	L	A	W
1	15 3/16	1 5/16	4 1/8
2	18 3/16	2 9/16	5
3	21 3/16	3 13/16	6 5/8
4	24 1/4	5 1/16	7 7/8
5	27 1/4	6 5/16	9 1/8
6	30 1/4	7 9/16	10
7	33 1/4	8 13/16	11 5/8
8	36 5/16	10 1/16	12 7/8
1	15 3/4	1 9/16	4 3/8
2	19 3/8	3 1/16	6
3	23	4 9/16	7 3/8
4	26 5/8	6 1/16	8 7/8
5	30 1/4	7 9/16	10 3/8
6	33 7/8	9 1/16	12
7	37 1/2	10 9/16	13 3/8
8	41 1/8	12 1/16	14 7/8
1	16 3/8	1 13/16	4 5/8
2	20 5/8	3 9/16	6
3	24 13/16	5 5/16	8 1/8
4	29 1/16	7 1/16	9 7/8
5	33 1/4	8 13/16	11 5/8
6	37 1/2	10 9/16	13
7	41 3/4	12 5/16	15 1/8
8	45 15/16	14 1/16	16 7/8
1	17 9/16	2 5/16	5 1/8
2	23	4 9/16	7
3	28 7/16	6 13/16	9 5/8
4	33 7/8	9 1/16	11 7/8

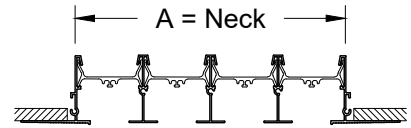
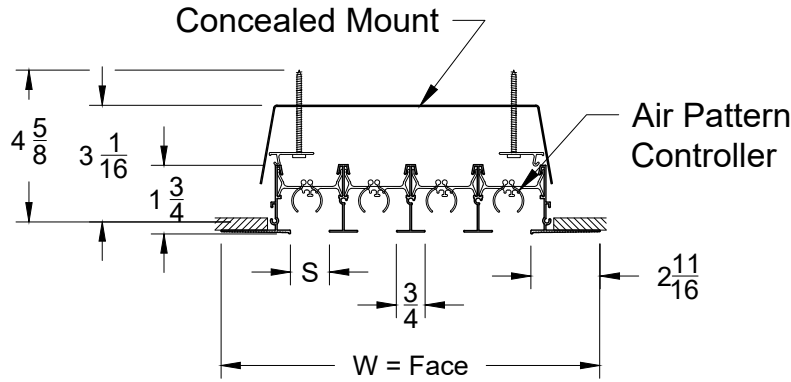


End View

End View

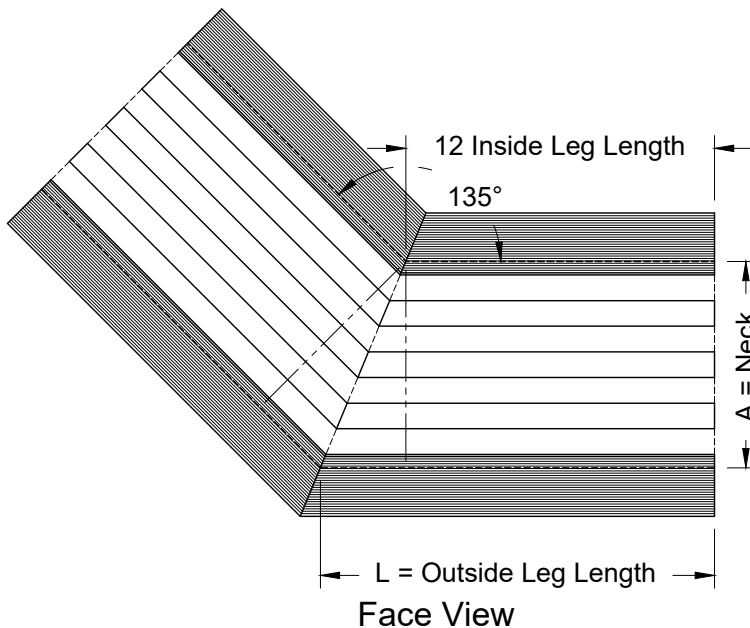


LSDMC-CC-90			
S = Slots	Outside Leg	Neck	Face
	L	A	W
1	13 5/16	1 5/16	4 1/8
2	14 9/16	2 9/16	5
3	15 13/16	3 13/16	6 5/8
4	17 1/16	5 1/16	7 7/8
5	18 5/16	6 5/16	9 1/8
6	19 9/16	7 9/16	10
7	20 13/16	8 13/16	11 5/8
8	22 1/16	10 1/16	12 7/8
1	13 9/16	1 9/16	4 3/8
2	15 1/16	3 1/16	6
3	16 9/16	4 9/16	7 3/8
4	18 1/16	6 1/16	8 7/8
5	19 9/16	7 9/16	10 3/8
6	21 1/16	9 1/16	12
7	22 9/16	10 9/16	13 3/8
8	24 1/16	12 1/16	14 7/8
1	13 13/16	1 13/16	4 5/8
2	15 9/16	3 9/16	6
3	17 5/16	5 5/16	8 1/8
4	19 1/16	7 1/16	9 7/8
5	20 13/16	8 13/16	11 5/8
6	22 9/16	10 9/16	13
7	24 5/16	12 5/16	15 1/8
8	26 1/16	14 1/16	16 7/8
1	14 3/8	2 5/16	5 1/8
2	16 5/8	4 9/16	7
3	18 7/8	6 13/16	9 5/8
4	21 1/8	9 1/16	11 7/8

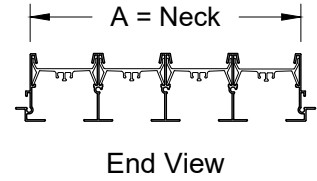
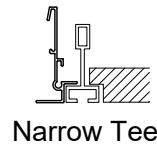
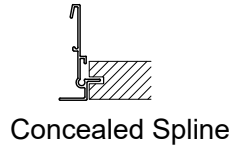
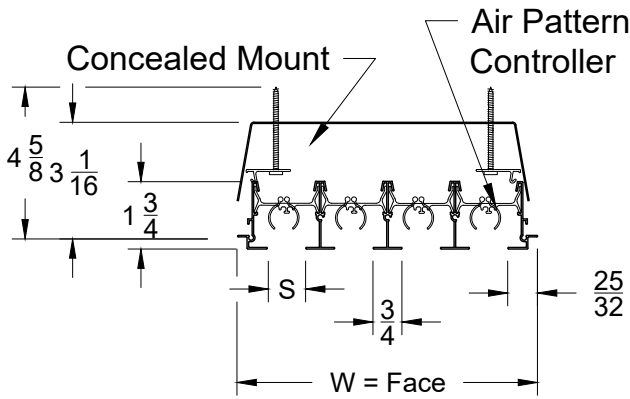


End View

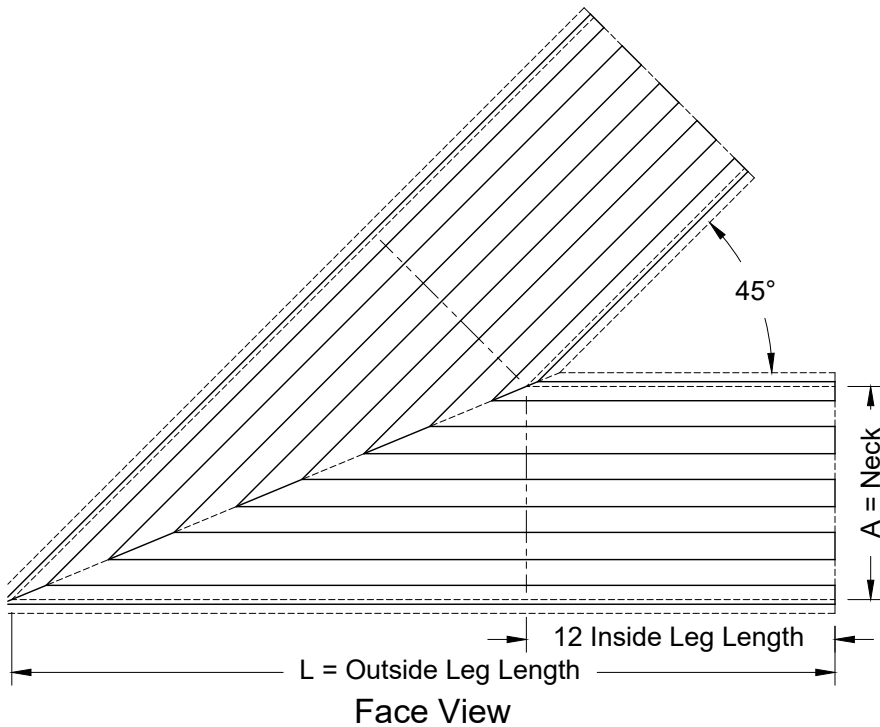
End View



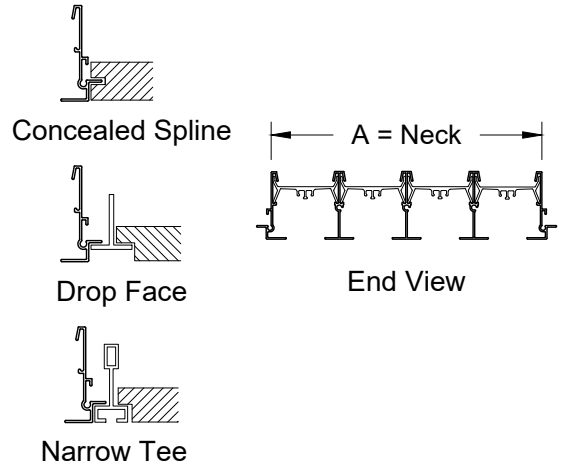
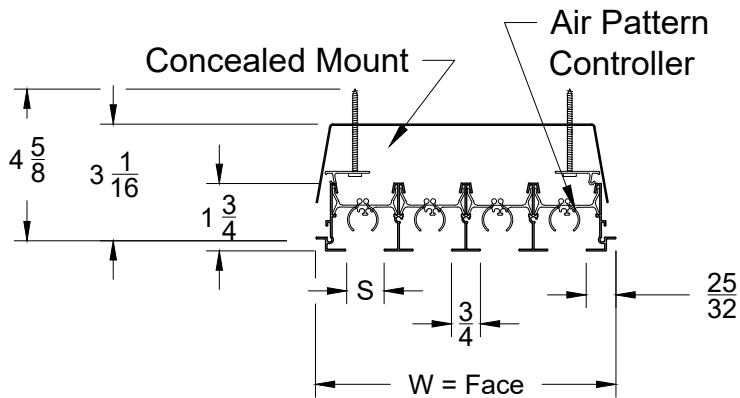
LSDMC-CC-135			
S = Slots	Outside Leg	Neck	Face
	L	A	W
1	12 9/16	1 5/16	4 1/8
2	13 1/16	2 9/16	5
3	13 9/16	3 13/16	6 5/8
4	14 1/8	5 1/16	7 7/8
5	14 5/8	6 5/16	9 1/8
6	15 1/8	7 9/16	10
7	15 5/8	8 13/16	11 5/8
8	16 3/16	10 1/16	12 7/8
1	12 5/8	1 9/16	4 3/8
2	13 1/4	3 1/16	6
3	13 7/8	4 9/16	7 3/8
4	14 1/2	6 1/16	8 7/8
5	15 1/8	7 9/16	10 3/8
6	15 3/4	9 1/16	12
7	16 3/8	10 9/16	13 3/8
8	17	12 1/16	14 7/8
1	12 3/4	1 13/16	4 5/8
2	13 1/2	3 9/16	6
3	14 3/16	5 5/16	8 1/8
4	14 15/16	7 1/16	9 7/8
5	15 5/8	8 13/16	11 5/8
6	16 3/8	10 9/16	13
7	17 1/8	12 5/16	15 1/8
8	17 13/16	14 1/16	16 7/8
1	13	2 5/16	5 1/8
2	13 7/8	4 9/16	7
3	14 7/8	6 13/16	9 5/8
4	15 3/4	9 1/16	11 7/8



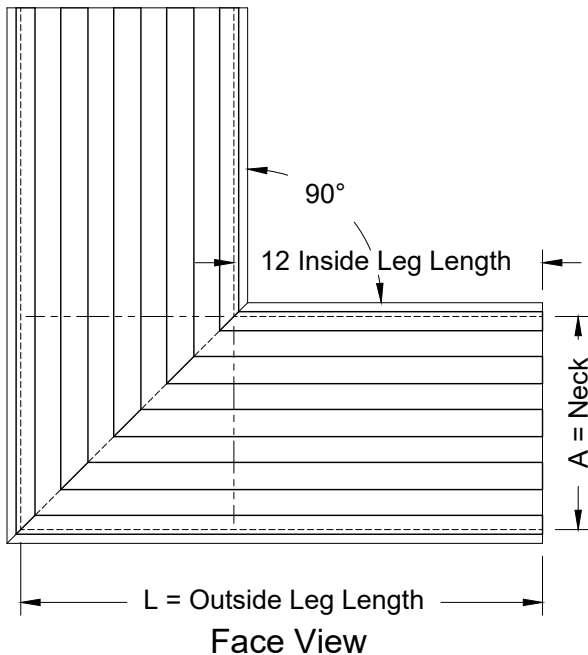
End View



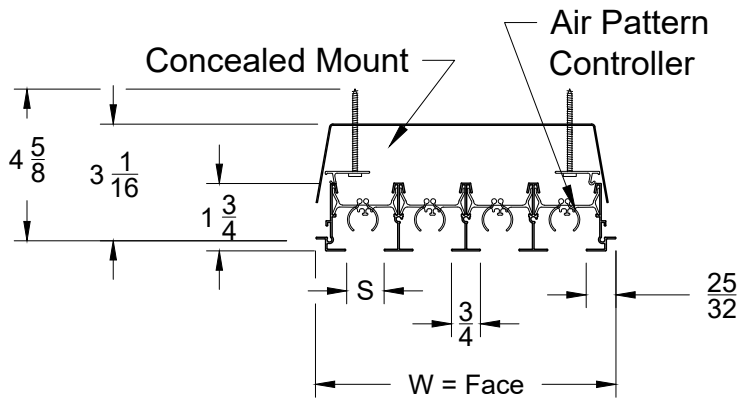
LSDMC-DD-45			
S = Slots	Outside Leg	Neck	Face
	L	A	W
1	15 3/4	1 5/16	2 1/16
2	18 13/16	2 9/16	3 5/16
3	21 13/16	3 13/16	4 9/16
4	24 13/16	5 1/16	5 13/16
5	27 13/16	6 5/16	7 1/16
6	30 7/8	7 9/16	8 5/16
7	33 7/8	8 13/16	9 9/16
8	36 7/8	10 1/16	10 13/16
1	16 3/8	1 9/16	2 5/16
2	20	3 1/16	3 13/16
3	23 5/8	4 9/16	5 5/16
4	27 1/4	6 1/16	6 13/16
5	30 7/8	7 9/16	8 5/16
6	34 1/2	9 1/16	9 13/16
7	38 1/8	10 9/16	11 5/16
8	41 3/4	12 1/16	12 13/16
1	17	1 13/16	2 9/16
2	21 3/16	3 9/16	4 5/16
3	25 7/16	5 5/16	6 1/16
4	29 5/8	7 1/16	7 13/16
5	33 7/8	8 13/16	9 9/16
6	38 1/8	10 9/16	11 5/16
7	42 5/16	12 5/16	13 1/16
8	46 9/16	14 1/16	14 13/16
1	18 3/16	2 5/16	3 1/16
2	23 5/8	4 9/16	5 5/16
3	29 1/16	6 13/16	7 9/16
4	34 1/2	9 1/16	9 13/16



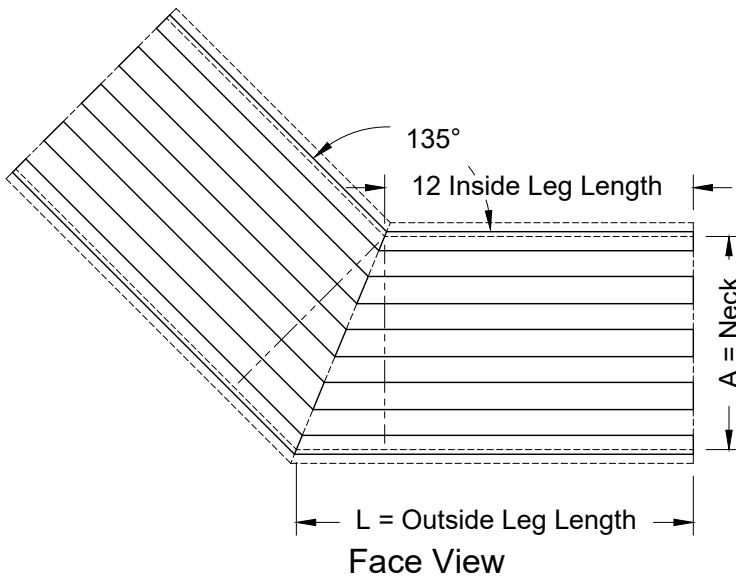
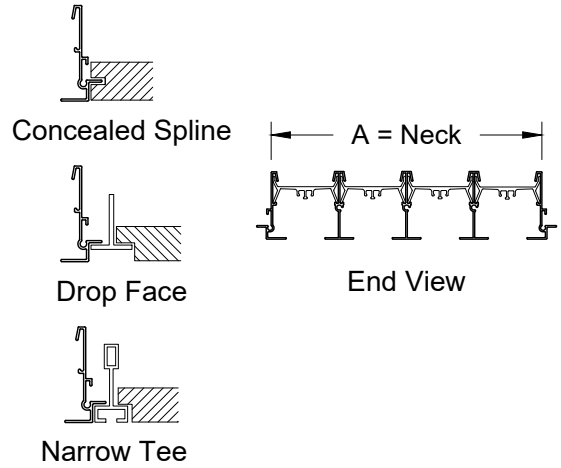
End View



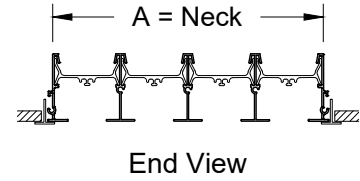
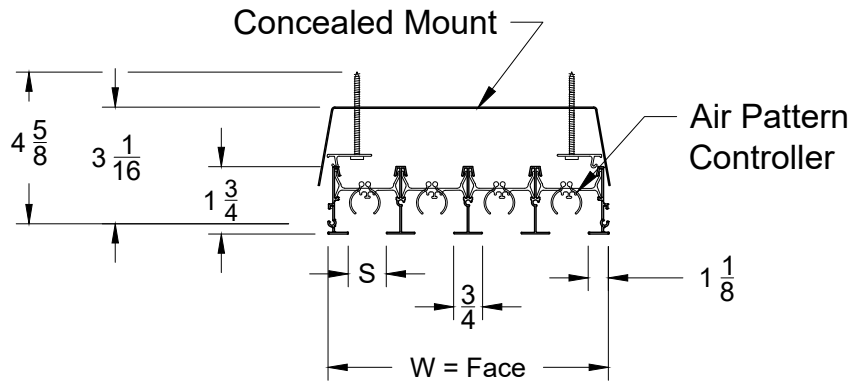
LSDMC-DD-90				
S = Slots	Outside Leg	Neck	Face	
	L	A	W	
1	1/2" Slots	13 9/16	1 5/16	2 1/16
2		14 13/16	2 9/16	3 5/16
3		16 1/16	3 13/16	4 9/16
4		17 5/16	5 1/16	5 13/16
5		18 9/16	6 5/16	7 1/16
6		19 13/16	7 9/16	8 5/16
7		21 1/16	8 13/16	9 9/16
8		22 5/16	10 1/16	10 13/16
1	3/4" Slots	13 13/16	1 9/16	2 5/16
2		15 5/16	3 1/16	3 13/16
3		16 13/16	4 9/16	5 5/16
4		18 5/16	6 1/16	6 13/16
5		19 13/16	7 9/16	8 5/16
6		21 5/16	9 1/16	9 13/16
7		22 13/16	10 9/16	11 5/16
8		24 5/16	12 1/16	12 13/16
1	1" Slots	14 1/16	1 13/16	2 9/16
2		15 13/16	3 9/16	4 5/16
3		17 9/16	5 5/16	6 1/16
4		19 5/16	7 1/16	7 13/16
5		21 1/16	8 13/16	9 9/16
6		22 13/16	10 9/16	11 5/16
7		24 9/16	12 5/16	13 1/16
8		26 5/16	14 1/16	14 13/16
1	1 1/2" Slots	14 9/16	2 5/16	3 1/16
2		16 13/16	4 9/16	5 5/16
3		19 1/16	6 13/16	7 9/16
4		21 5/16	9 1/16	9 13/16



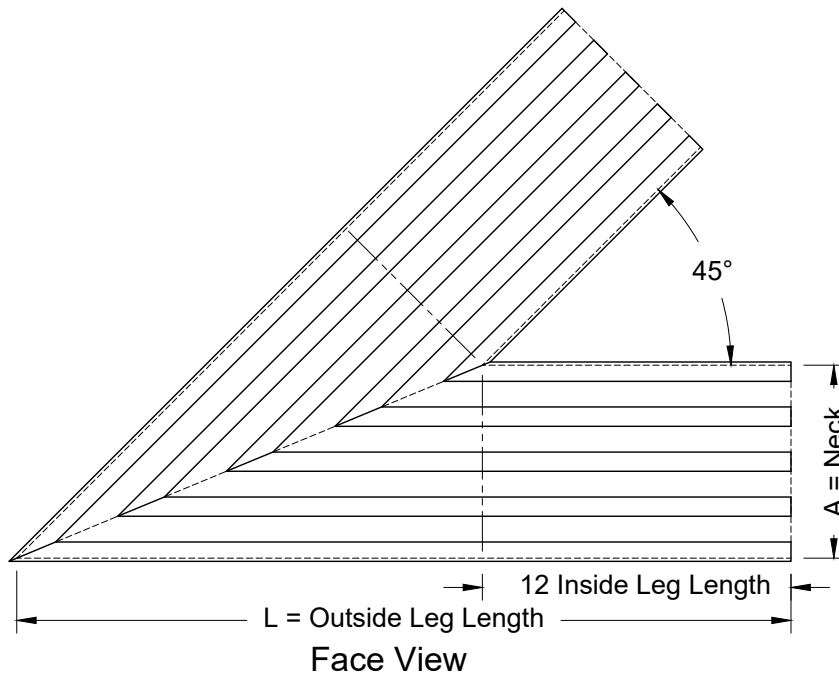
End View



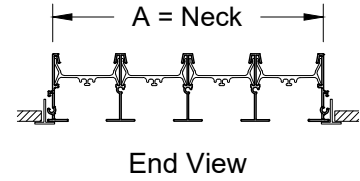
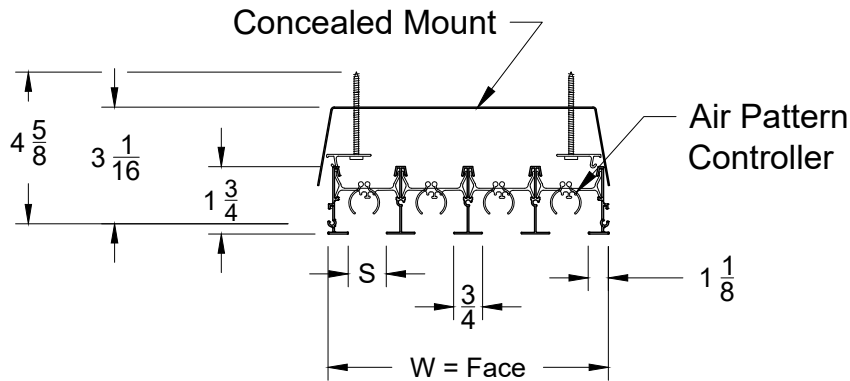
LSDMC-DD-135				
S = Slots	Outside Leg	Neck	Face	
	L	A	W	
1	1/2" Slots	12 7/8	1 5/16	2 1/16
2		13 3/8	2 9/16	3 5/16
3		13 7/8	3 13/16	4 9/16
4		14 7/16	5 1/16	5 13/16
5		14 15/16	6 5/16	7 1/16
6		15 7/16	7 9/16	8 5/16
7		15 15/16	8 13/16	9 9/16
8		16 1/2	10 1/16	10 13/16
1	3/4" Slots	12 15/16	1 9/16	2 5/16
2		13 9/16	3 1/16	3 13/16
3		14 3/16	4 9/16	5 5/16
4		14 13/16	6 1/16	6 13/16
5		15 7/16	7 9/16	8 5/16
6		16 1/16	9 1/16	9 13/16
7		16 11/16	10 9/16	11 5/16
8		17 5/16	12 1/16	12 13/16
1	1" Slots	13 1/16	1 13/16	2 9/16
2		13 13/16	3 9/16	4 5/16
3		14 1/2	5 5/16	6 1/16
4		15 1/4	7 1/16	7 13/16
5		15 15/16	8 13/16	9 9/16
6		16 11/16	10 9/16	11 5/16
7		17 7/16	12 5/16	13 1/16
8		18 1/8	14 1/16	14 13/16
1	1 1/2" Slots	13 1/4	2 5/16	3 1/16
2		14 3/16	4 9/16	5 5/16
3		15 1/8	6 13/16	7 9/16
4		16 1/16	9 1/16	9 13/16



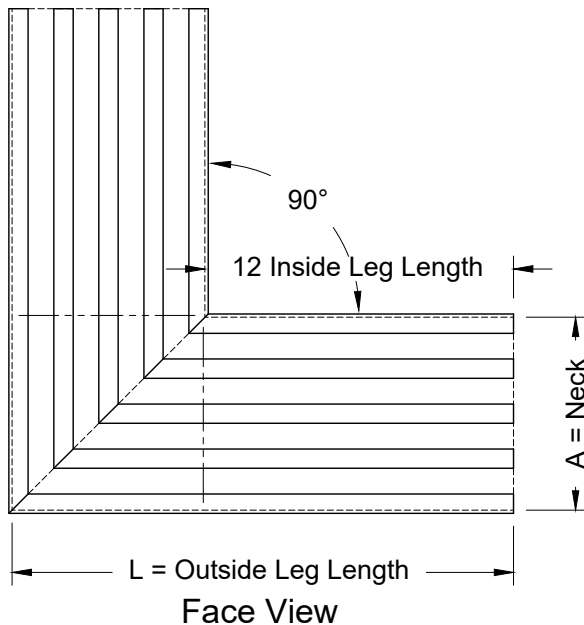
End View



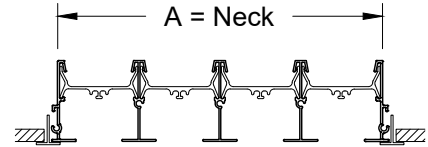
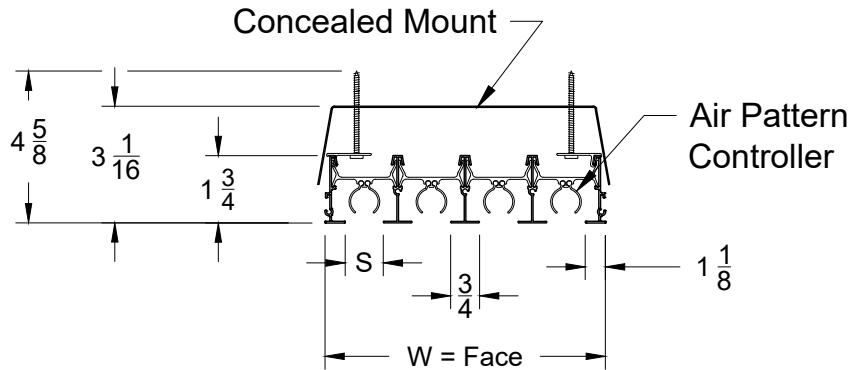
LSDMC-FF-45			
S = Slots	Outside Leg	Neck	Face
	L	A	W
1	15 3/4	1 5/16	1 9/16
2	18 13/16	2 9/16	2 13/16
3	21 13/16	3 13/16	4 1/16
4	24 13/16	5 1/16	5 5/16
5	27 13/16	6 5/16	6 9/16
6	30 7/8	7 9/16	7 13/16
7	33 7/8	8 13/16	9 1/16
8	36 7/8	10 1/16	10 5/16
1	16 3/8	1 9/16	1 13/16
2	20	3 1/16	3 5/16
3	23 5/8	4 9/16	4 13/16
4	27 1/4	6 1/16	6 5/16
5	30 7/8	7 9/16	7 13/16
6	34 1/2	9 1/16	9 5/16
7	38 1/8	10 9/16	10 13/16
8	41 3/4	12 1/16	12 5/16
1	17	1 13/16	2 1/16
2	21 3/16	3 9/16	3 13/16
3	25 7/16	5 5/16	5 9/16
4	29 5/8	7 1/16	7 5/16
5	33 7/8	8 13/16	9 1/16
6	38 1/8	10 9/16	10 13/16
7	42 5/16	12 5/16	12 9/16
8	46 9/16	14 1/16	14 5/16
1	18 3/16	2 5/16	2 9/16
2	23 5/8	4 9/16	4 13/16
3	29 1/16	6 13/16	7 1/16
4	34 1/2	9 1/16	9 5/16



End View

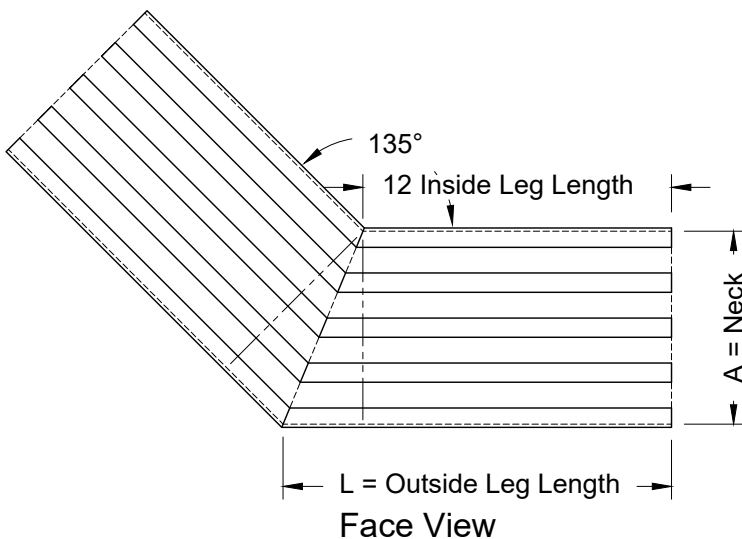


LSDMC-FF-90				
S = Slots	Outside Leg	Neck	Face	
	L	A	W	
1/2" Slots	1	13 9/16	1 5/16	1 9/16
	2	14 13/16	2 9/16	2 13/16
	3	16 1/16	3 13/16	4 1/16
	4	17 5/16	5 1/16	5 5/16
	5	18 9/16	6 5/16	6 9/16
	6	19 13/16	7 9/16	7 13/16
	7	21 1/16	8 13/16	9 1/16
	8	22 5/16	10 1/16	10 5/16
3/4" Slots	1	13 13/16	1 9/16	1 13/16
	2	15 5/16	3 1/16	3 5/16
	3	16 13/16	4 9/16	4 13/16
	4	18 5/16	6 1/16	6 5/16
	5	19 13/16	7 9/16	7 13/16
	6	21 5/16	9 1/16	9 5/16
	7	22 13/16	10 9/16	10 13/16
	8	24 5/16	12 1/16	12 5/16
1" Slots	1	14 1/16	1 13/16	2 1/16
	2	15 13/16	3 9/16	3 13/16
	3	17 9/16	5 5/16	5 9/16
	4	19 5/16	7 1/16	7 5/16
	5	21 1/16	8 13/16	9 1/16
	6	22 13/16	10 9/16	10 13/16
	7	24 9/16	12 5/16	12 9/16
	8	26 5/16	14 1/16	14 5/16
1 1/2" Slots	1	14 9/16	2 5/16	2 9/16
	2	16 13/16	4 9/16	4 13/16
	3	19 1/16	6 13/16	7 1/16
	4	21 5/16	9 1/16	9 5/16



End View

End View



LSDMC-FF-135			
S = Slots	Outside Leg	Neck	Face
	L	A	W
1	12 5/8	1 5/16	1 9/16
2	13 3/16	2 9/16	2 13/16
3	13 11/16	3 13/16	4 1/16
4	14 3/16	5 1/16	5 5/16
5	14 11/16	6 5/16	6 9/16
6	15 1/4	7 9/16	7 13/16
7	15 3/4	8 13/16	9 1/16
8	16 1/4	10 1/16	10 5/16
1	12 3/4	1 9/16	1 13/16
2	13 3/8	3 1/16	3 5/16
3	14	4 9/16	4 13/16
4	14 5/8	6 1/16	6 5/16
5	15 1/4	7 9/16	7 13/16
6	15 7/8	9 1/16	9 5/16
7	16 1/2	10 9/16	10 13/16
8	17 1/8	12 1/16	12 5/16
1	12 7/8	1 13/16	2 1/16
2	13 9/16	3 9/16	3 13/16
3	14 5/16	5 5/16	5 9/16
4	15	7 1/16	7 5/16
5	15 3/4	8 13/16	9 1/16
6	16 1/2	10 9/16	10 13/16
7	17 3/16	12 5/16	12 9/16
8	17 15/16	14 1/16	14 5/16
1	13 1/16	2 5/16	2 9/16
2	14	4 9/16	4 13/16
3	14 15/16	6 13/16	7 1/16
4	15 7/8	9 1/16	9 5/16