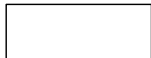



Product Features:

- Available for straight and curved applications.
- Model LSD is available in slot widths from 1/2", 3/4" & 1 1/2" wide.
- Available with 1 to 8 slots.
- Various frame types are available for different applications
 - AA- 1-1/8" Border
 - BB - 3/4" Border
 - CC - 1-13/16" Tape & Spackle
 - DD - 25/32" Border
 - FF - 1/2" Border
- Can come with hanger brackets for concealed mounting.
- Includes pattern controllers for horizontal or vertical applications.
- Longest single section is 96"

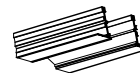
Finishes

 01 - White¹


03 - Black


¹ White Finish is suitable for a primer coat if field painting is required.

20 - White/Black


Optional Accessories:


Open End (O)



End Cap (EC)



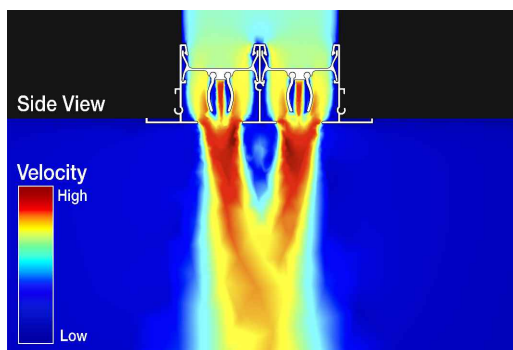
Mitered (M)



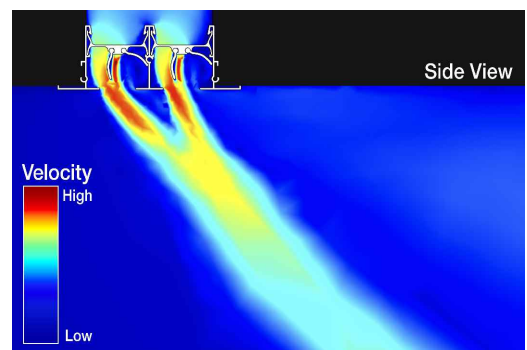
End Border (EB)

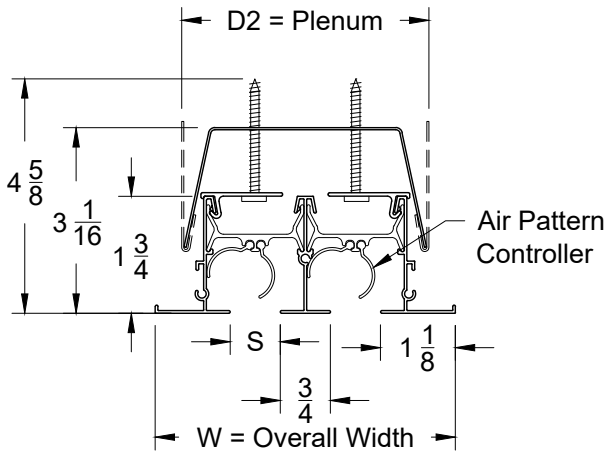
CFD Throw Pattern Visualization

Vertical Throw

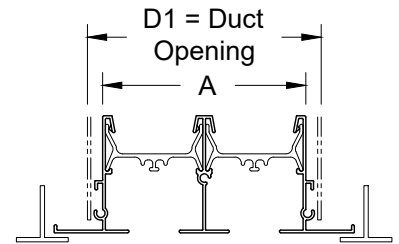
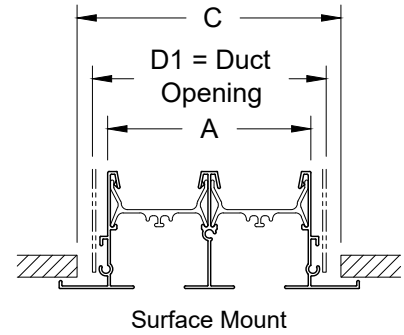


Horizontal Throw

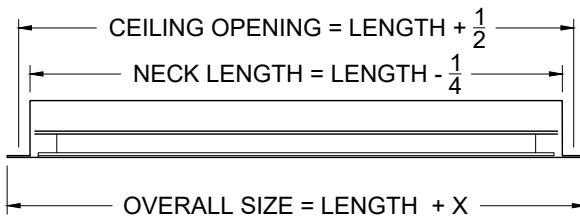




End View - Concealed Mount



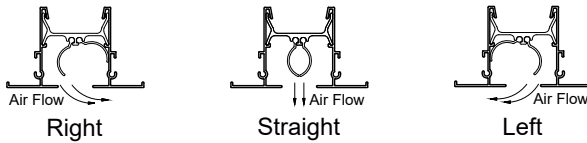
Lay-In T-Bar



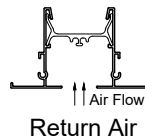
Side View with End Conditions

Note: (2) End Borders Shown for Example

Air Deflection Patterns



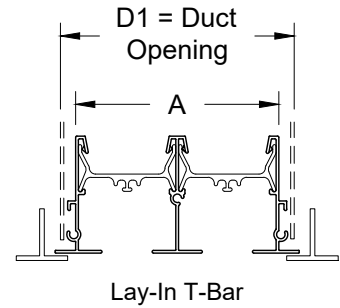
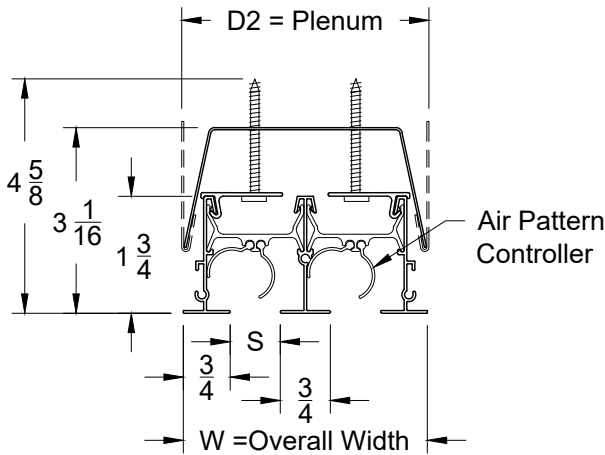
Air Deflection Patterns



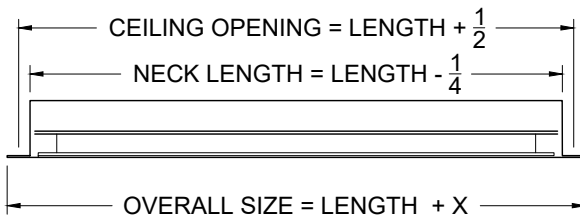
Open End (OO)		End Cap (EC)		End Border (EB)	
OO:	X = 0	1 EC:	X = -1/4	1 EB:	X = 11/16
		2 EC:	X = -1/4	2 EB:	X = 1 3/8

End Conditions

MODEL: LSD-AA						
S = Slots	NECK	DUCT	PLENUM	OPENING	FACE	
Slots	A	D1	D2	C	W	
1	1 5/16	1 9/16	2	1 13/16	2 3/4	1/2" Slots
2	2 9/16	2 13/16	3 1/2	3 1/16	4	
3	3 13/16	4 1/16	4 1/2	4 5/16	5 1/4	
4	5 1/16	5 5/16	6	5 9/16	6 1/2	
5	6 5/16	6 9/16	7	6 13/16	7 3/4	
6	7 9/16	7 13/16	8 1/2	8 1/16	9	
7	8 13/16	9 1/16	9 1/2	9 5/16	10 1/4	
8	10 1/16	10 5/16	11	10 9/16	11 1/2	
1	1 9/16	1 13/16	2 1/2	2 1/16	3	3/4" Slots
2	3 1/16	3 5/16	4	3 9/16	4 1/2	
3	4 9/16	4 13/16	5 1/2	5 1/16	6	
4	6 1/16	6 5/16	7	6 9/16	7 1/2	
5	7 9/16	7 13/16	8 1/2	8 1/16	9	
6	9 1/16	9 5/16	10	9 9/16	10 1/2	
7	10 9/16	10 13/16	11 1/2	11 1/16	12	
8	12 1/16	12 5/16	13	12 9/16	13 1/2	
1	1 13/16	2 1/16	2 1/2	2 5/16	3 1/4	1" Slots
2	3 9/16	3 13/16	4 1/2	4 1/16	5	
3	5 5/16	5 9/16	6	5 13/16	6 3/4	
4	7 1/16	7 5/16	8	7 9/16	8 1/2	
5	8 13/16	9 1/16	9 1/2	9 5/16	10 1/4	
6	10 9/16	10 13/16	11 1/2	11 1/16	12	
7	12 5/16	12 9/16	13	12 13/16	13 3/4	
8	14 1/16	14 5/16	15	14 9/16	15 1/2	
1	2 5/16	2 9/16	3	2 13/16	3 3/4	1 1/2" Slots
2	4 9/16	4 13/16	5 1/2	5 1/16	6	
3	6 13/16	7 1/16	7 1/2	7 5/16	8 1/4	
4	9 1/16	9 5/16	10	9 9/16	10 1/2	



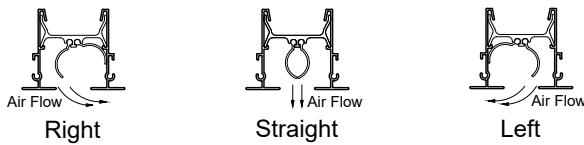
End View - Concealed Mount



Side View with End Conditions

Note: (2) End Borders Shown for Example

Air Deflection Patterns



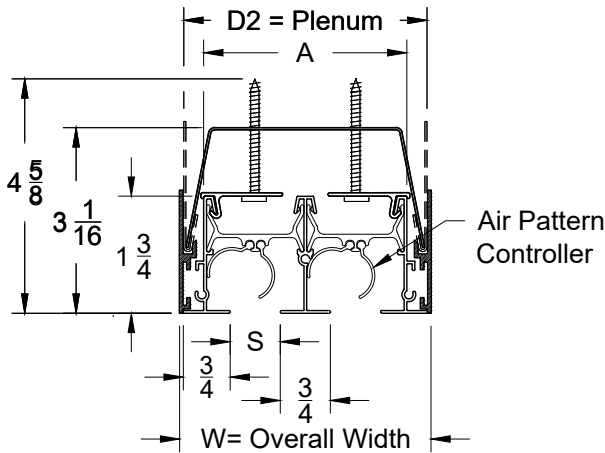
Air Deflection Patterns



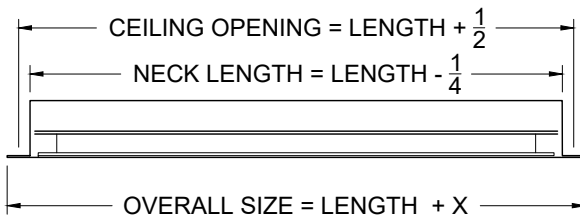
Open End (OO)	End Cap (EC)	End Border (EB)
OO:	X = 0	1 EC: X = -1/4
		1 EB: X = 11/16
	2 EC: X = -1/4	2 EB: X = 1 3/8

End Conditions

MODEL: LSD-BB					
S = Slots	NECK	DUCT	PLENUM	FACE	
Slots	A	D1	D2	W	
1	1 5/16	1 9/16	2	2	
2	2 9/16	2 13/16	3 1/2	3 1/4	
3	3 13/16	4 1/16	4 1/2	4 1/2	
4	5 1/16	5 5/16	6	5 3/4	
5	6 5/16	6 9/16	7	7	
6	7 9/16	7 13/16	8 1/2	8 1/4	
7	8 13/16	9 1/16	9 1/2	9 1/2	
8	10 1/16	10 5/16	11	10 3/4	
1	1 9/16	1 13/16	2 1/2	2 1/4	
2	3 1/16	3 5/16	4	3 3/4	
3	4 9/16	4 13/16	5 1/2	5 1/4	
4	6 1/16	6 5/16	7	6 3/4	
5	7 9/16	7 13/16	8 1/2	8 1/4	
6	9 1/16	9 5/16	10	9 3/4	
7	10 9/16	10 13/16	11 1/2	11 1/4	
8	12 1/16	12 5/16	13	12 3/4	
1	1 13/16	2 1/16	2 1/2	2 1/2	
2	3 9/16	3 13/16	4 1/2	4 1/4	
3	5 5/16	5 9/16	6	6	
4	7 1/16	7 5/16	8	7 3/4	
5	8 13/16	9 1/16	9 1/2	9 1/2	
6	10 9/16	10 13/16	11 1/2	11 1/4	
7	12 5/16	12 9/16	13	13	
8	14 1/16	14 5/16	15	14 3/4	
1	2 5/16	2 9/16	3	3	
2	4 9/16	4 13/16	5 1/2	5 1/4	
3	6 13/16	7 1/16	7 1/2	7 1/2	
4	9 1/16	9 5/16	10	9 3/4	



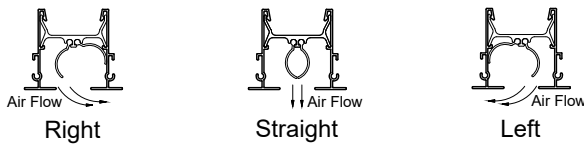
End View - Concealed Mount



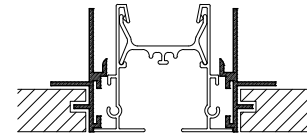
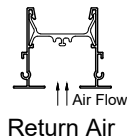
Side View with End Conditions

Note: (2) End Borders Shown for Example

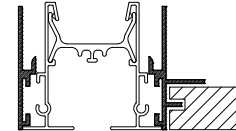
Air Deflection Patterns



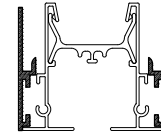
Air Deflection Patterns



(73) Both Spine Frames



(74) Spine & Wall Frames

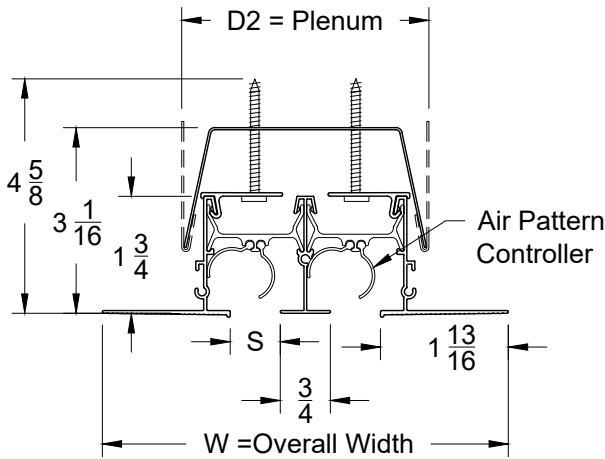


(75) Both Wall Frames

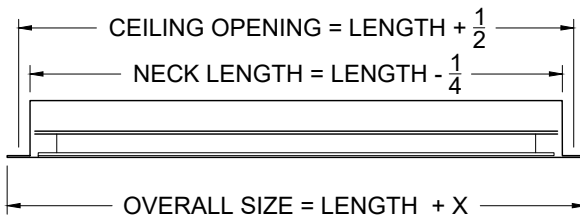
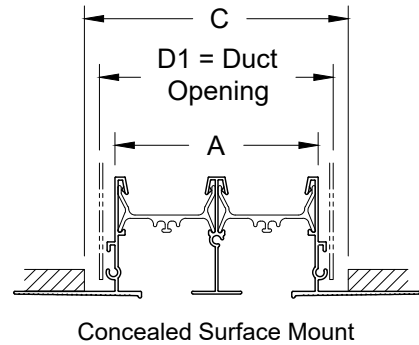
MODEL: LSD-BB-73, 74, 75				
S = Slots	NECK	DUCT	FACE	
Slots	A	D1	W	
1	1 5/16	1 13/16	2 1/8	
2	2 9/16	3 1/16	3 3/8	
3	3 13/16	4 5/16	4 5/8	
4	5 1/16	5 9/16	5 7/8	
5	6 5/16	6 13/16	7 1/8	
6	7 9/16	8 1/16	8 3/8	
7	8 13/16	9 5/16	9 5/8	
8	10 1/16	10 9/16	10 7/8	
1	1 9/16	2 1/16	2 3/8	
2	3 1/16	3 9/16	3 7/8	
3	4 9/16	5 1/16	5 3/8	
4	6 1/16	6 9/16	6 7/8	
5	7 9/16	8 1/16	8 3/8	
6	9 1/16	9 9/16	9 7/8	
7	10 9/16	11 1/16	11 3/8	
8	12 1/16	12 9/16	12 7/8	
1	1 13/16	2 5/16	2 5/8	
2	3 9/16	4 1/16	4 3/8	
3	5 5/16	5 13/16	6 1/8	
4	7 1/16	7 9/16	7 7/8	
5	8 13/16	9 5/16	9 5/8	
6	10 9/16	11 1/16	11 3/8	
7	12 5/16	12 13/16	13 1/8	
8	14 1/16	14 9/16	14 7/8	
1	2 5/16	2 13/16	3 1/8	
2	4 9/16	5 1/16	5 3/8	
3	6 13/16	7 5/16	7 5/8	
4	9 1/16	9 9/16	9 7/8	

Open End (OO)		End Cap (EC)		End Border (EB)	
OO:	X = 0	1 EC:	X = -1/4	1 EB:	X = 11/16
		2 EC:	X = -1/4	2 EB:	X = 1 3/8

End Conditions



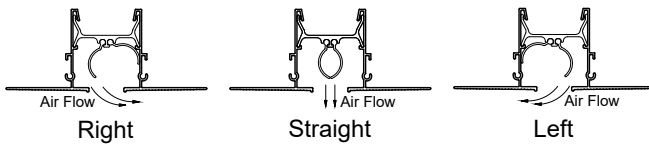
End View - Concealed Mount



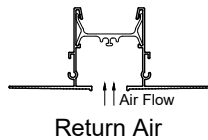
Side View with End Conditions

Note: (2) End Borders Shown for Example

Air Deflection Patterns



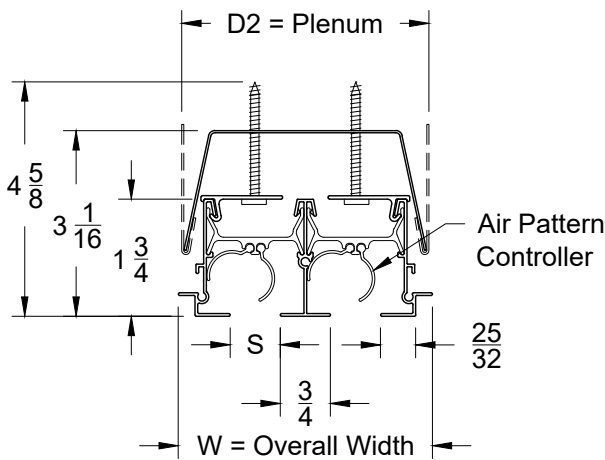
Air Deflection Patterns



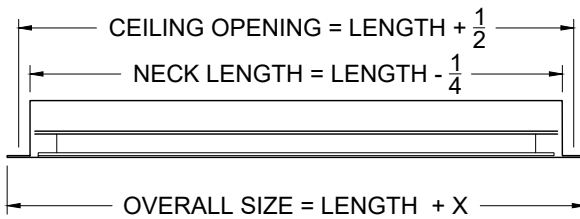
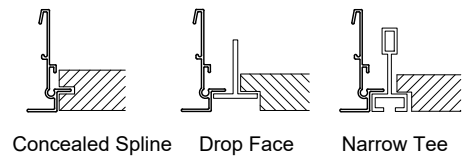
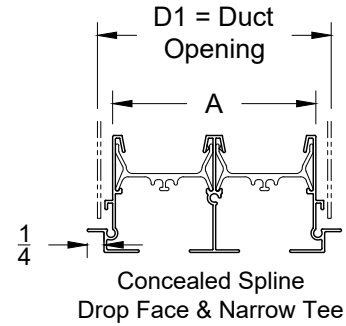
MODEL: LSD-CC					
S = Slots	NECK	DUCT	PLENUM	OPENING	FACE
Slots	A	D1	D2	C	W
1	1 9/16	1 13/16	2 1/2	2 1/16	4 7/16
	3 1/16	3 5/16	4	3 9/16	5 15/16
	4 9/16	4 13/16	5 1/2	5 1/16	7 7/16
	6 1/16	6 5/16	7	6 9/16	8 15/16
2	1 13/16	2 1/16	2 1/2	2 5/16	4 11/16
	3 9/16	3 13/16	4 1/2	4 1/16	6 7/16
	5 5/16	5 9/16	6	5 13/16	8 3/16
	7 1/16	7 5/16	8	7 9/16	9 15/16
3	2 5/16	2 9/16	3	2 13/16	5 3/16
	4 9/16	4 13/16	5 1/2	5 1/16	7 7/16
	6 13/16	7 1/16	7 1/2	7 5/16	9 11/16
	9 1/16	9 5/16	10	9 9/16	11 15/16

Open End (OO)		End Cap		Mitered (M)	
OO:	X = 0	1 EC:	X = -1/4	MO:	X = 1 1/16
		2 EC:	X = -1/4	MM:	X = 2 1/8

End Conditions



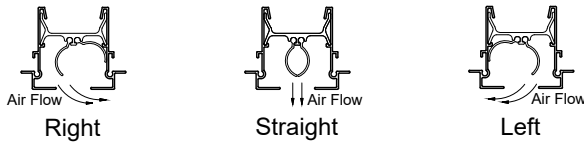
End View - Concealed Mount



Side View with End Conditions

Note: (2) End Borders Shown for Example

Air Deflection Patterns



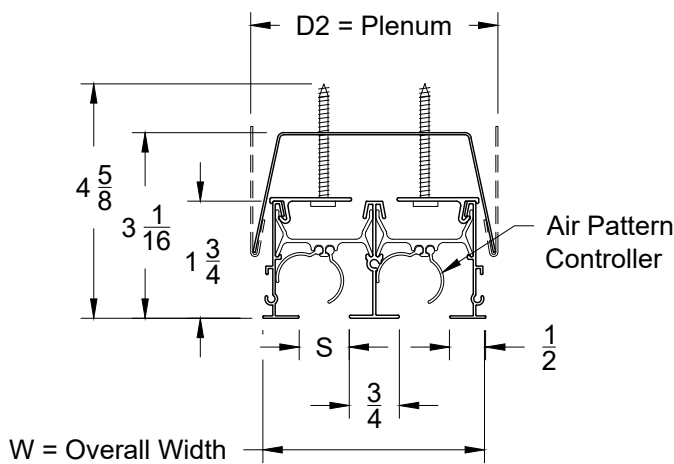
Air Deflection Patterns



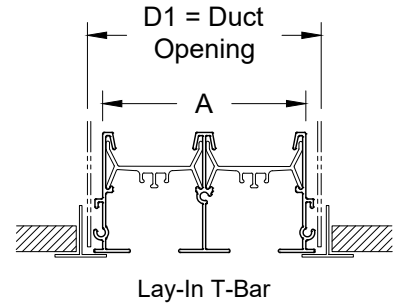
MODEL: LSD-DD				
S = Slots	NECK	DUCT	PLENUM	FACE
Slots	A	D1	D2	W
1	1 5/16	1 9/16	2	2
2	2 9/16	2 13/16	3 1/2	3 1/4
3	3 13/16	4 1/16	4 1/2	4 1/2
4	5 1/16	5 5/16	6	5 3/4
5	6 5/16	6 9/16	7	7
6	7 9/16	7 13/16	8 1/2	8 1/4
7	8 13/16	9 1/16	9 1/2	9 1/2
8	10 1/16	10 5/16	11	10 3/4
1	1 9/16	1 13/16	2 1/2	2 1/4
2	3 1/16	3 5/16	4	3 3/4
3	4 9/16	4 13/16	5 1/2	5 1/4
4	6 1/16	6 5/16	7	6 3/4
5	7 9/16	7 13/16	8 1/2	8 1/4
6	9 1/16	9 5/16	10	9 3/4
7	10 9/16	10 13/16	11 1/2	11 1/4
8	12 1/16	12 5/16	13	12 3/4
1	1 13/16	2 1/16	2 1/2	2 1/2
2	3 9/16	3 13/16	4 1/2	4 1/4
3	5 5/16	5 9/16	6	6
4	7 1/16	7 5/16	8	7 3/4
5	8 13/16	9 1/16	9 1/2	9 1/2
6	10 9/16	10 13/16	11 1/2	11 1/4
7	12 5/16	12 9/16	13	13
8	14 1/16	14 5/16	15	14 3/4
1	2 5/16	2 9/16	3	3
2	4 9/16	4 13/16	5 1/2	5 1/4
3	6 13/16	7 1/16	7 1/2	7 1/2
4	9 1/16	9 5/16	10	9 3/4

Open End (OO)		End Cap (EC)		End Border (EB)	
OO:	X = 0	1 EC:	X = -1/4	1 EB:	X = 7/16
		2 EC:	X = -1/4	2 EB:	X = 7/8

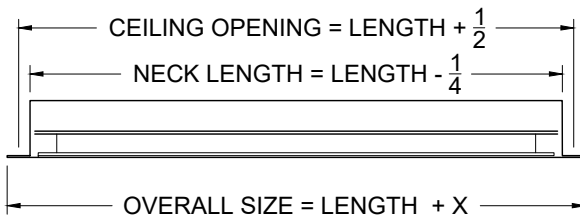
End Conditions



End View - Concealed Mount



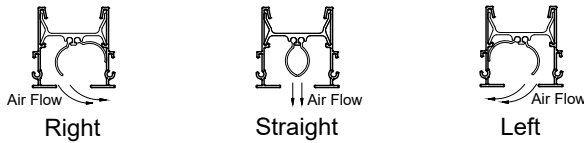
Lay-In T-Bar



Side View with End Conditions

Note: (2) End Borders Shown for Example

Air Deflection Patterns



Air Deflection Patterns



MODEL: LSD-FF				
S = Slots	NECK	DUCT	PLENUM	Face
Slots	A	D1	D2	W
1	1 5/16	1 9/16	2	1 9/16
2	2 9/16	2 13/16	3 1/2	2 13/16
3	3 13/16	4 1/16	4 1/2	4 1/16
4	5 1/16	5 5/16	6	5 5/16
5	6 5/16	6 9/16	7	6 9/16
6	7 9/16	7 13/16	8 1/2	7 13/16
7	8 13/16	9 1/16	9 1/2	9 1/16
8	10 1/16	10 5/16	11	10 5/16
1	1 9/16	1 13/16	2 1/2	1 13/16
2	3 1/16	3 5/16	4	3 5/16
3	4 9/16	4 13/16	5 1/2	4 13/16
4	6 1/16	6 5/16	7	6 5/16
5	7 9/16	7 13/16	8 1/2	7 13/16
6	9 1/16	9 5/16	10	9 5/16
7	10 9/16	10 13/16	11 1/2	10 13/16
8	12 1/16	12 5/16	13	12 5/16
1	1 13/16	2 1/16	2 1/2	2 1/16
2	3 9/16	3 13/16	4 1/2	3 13/16
3	5 5/16	5 9/16	6	5 9/16
4	7 1/16	7 5/16	8	7 5/16
5	8 13/16	9 1/16	9 1/2	9 1/16
6	10 9/16	10 13/16	11 1/2	10 13/16
7	12 5/16	12 9/16	13	12 9/16
8	14 1/16	14 5/16	15	14 5/16
1	2 5/16	2 9/16	3	2 9/16
2	4 9/16	4 13/16	5 1/2	4 13/16
3	6 13/16	7 1/16	7 1/2	7 1/16
4	9 1/16	9 5/16	10	9 5/16

Open End (OO)		End Cap (EC)		End Border (EB)	
OO:	X = 0	1 EC:	X = -1/4	1 EB:	X = 7/16
		2 EC:	X = -1/4	2 EB:	X = 7/8

End Conditions