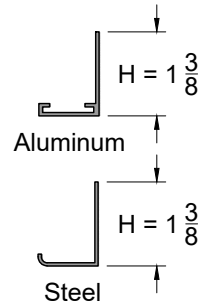







Frame Details



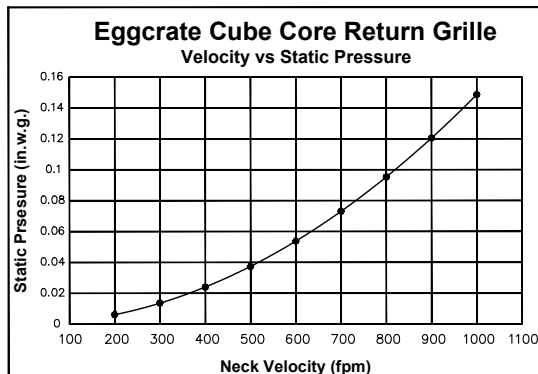
Product Features:

- 1/2 x 1/2 x 1/2" Extruded aluminum cube core face panel
- Available in a variety of border styles
- Largest single section size is 48x48"
- Steel construction (RGCC-05-S)
- Very low pressure drop and very low sound levels
- Oversized units made in multiple sections with mullion strips
- Aluminum construction (RGCC-05-AL)


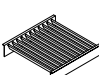
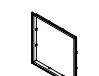
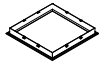
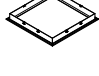

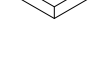
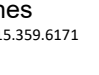
Finishes

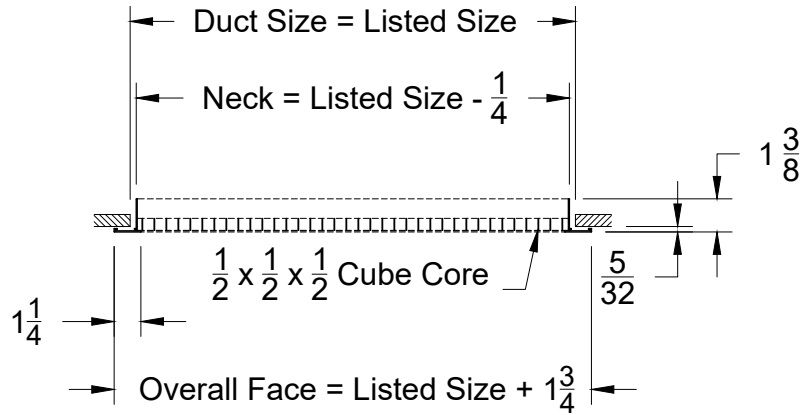
01 - White ¹	03 - Black	¹ White Finish is suitable for a primer coat if field painting is required.
		
02 - Satin Silver	24 - Mill	
		
28 - Custom Color		

Product Pressure Drop Performance



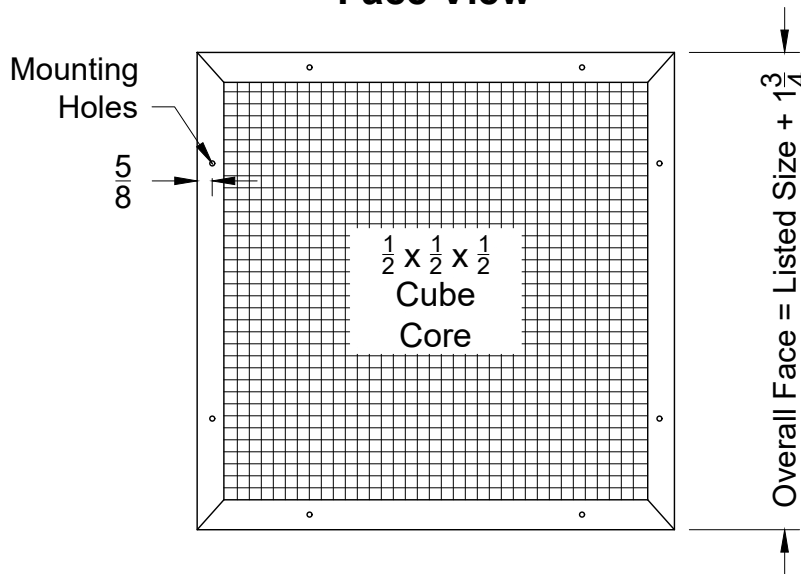
Optional Accessories:

-  OBD - Steel Opposed Blade Damper
-  OBDA - Aluminum Opposed Blade Damper
-  L9 - Equalizing Grid (Square / Rect)
-  G3 - Equalizing Grid (Round)
-  PF - Sidewall Plaster Frame
-  TBPF - T-Bar Plaster Frame
-  LIPF - Lay-In Plaster Frame
-  TR - Square to Round Transition
- TR-Deep - Deep Transition

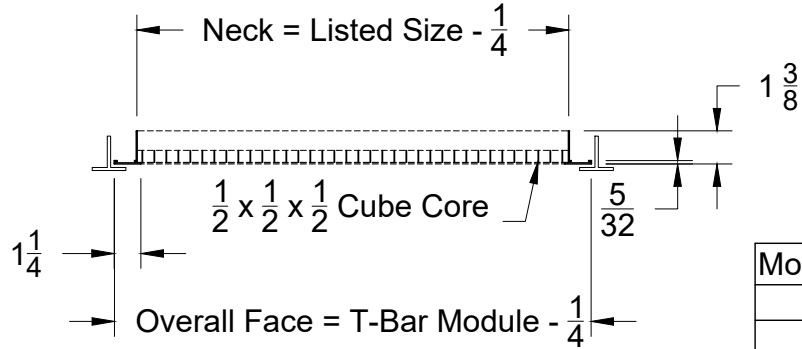


Side View

Face View



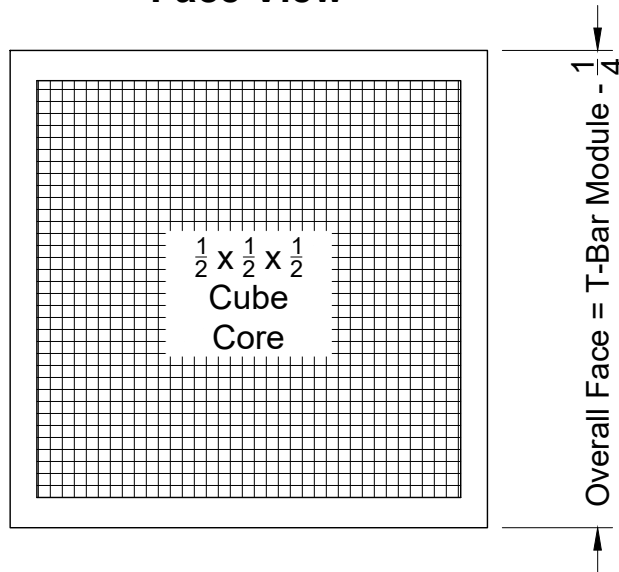
Note: This product complies with NFPA 90A-18 standard 4.3.7.3.2 and 4.3.8.3.2 and is constructed with openings through which a 1/2" sphere can not pass.



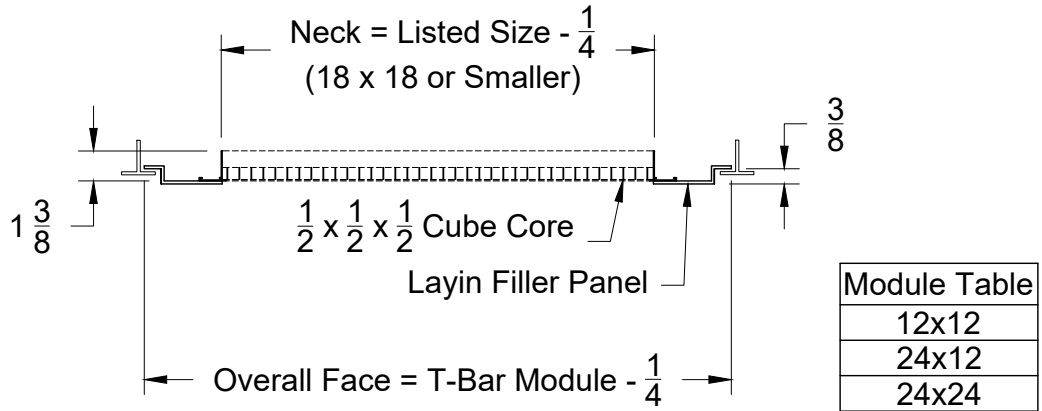
Module Table	
12x12	
24x12	
24x24	
48x24	
48x48	

Side View

Face View

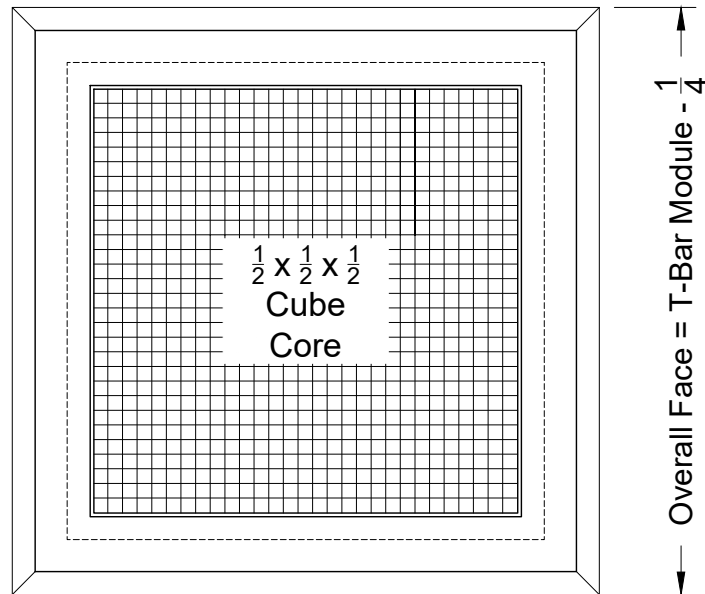


Note: This product complies with NFPA 90A-18 standard 4.3.7.3.2 and 4.3.8.3.2 and is constructed with openings through which a 1/2" sphere can not pass.

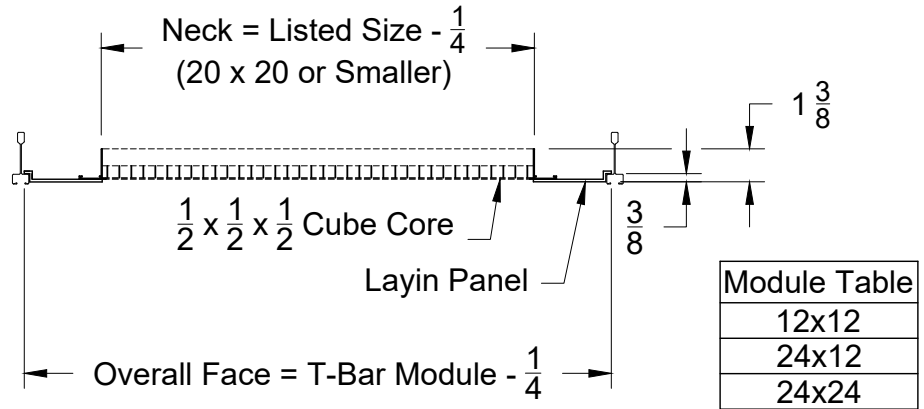


Side View

Face View

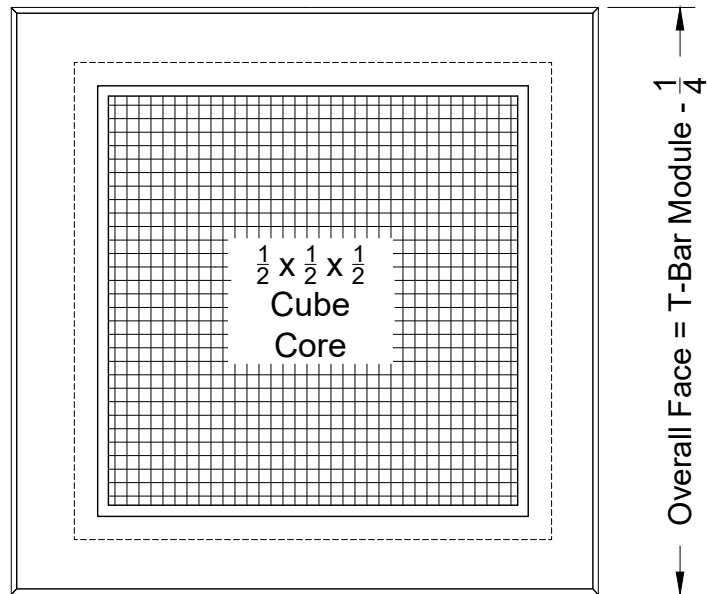


Note: This product complies with NFPA 90A-18 standard 4.3.7.3.2 and 4.3.8.3.2 and is constructed with openings through which a 1/2" sphere can not pass.

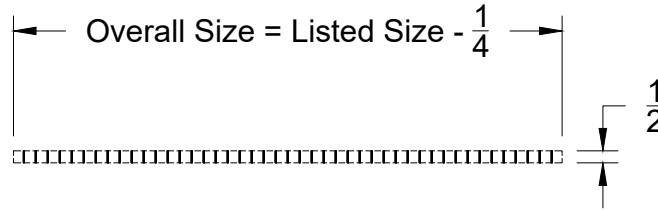
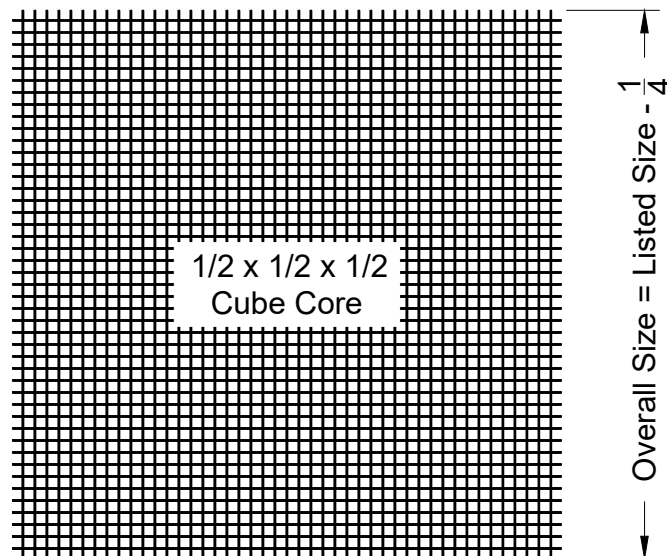


Side View

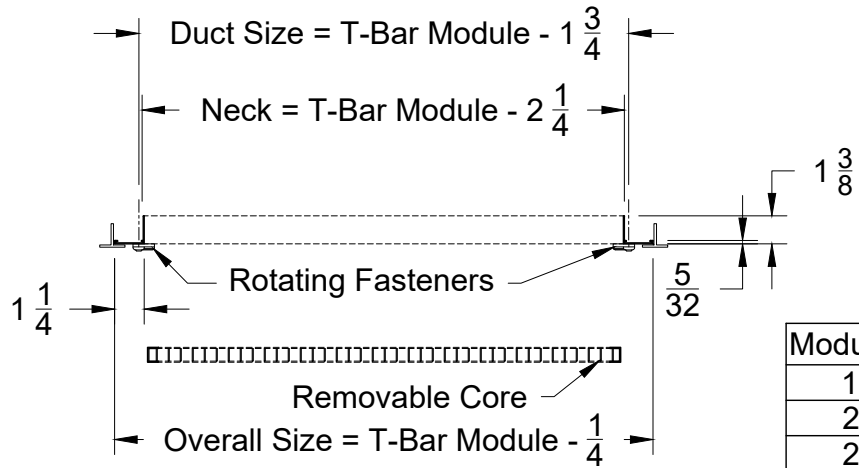
Face View



Note: This product complies with NFPA 90A-18 standard 4.3.7.3.2 and 4.3.8.3.2 and is constructed with openings through which a 1/2" sphere can not pass.

**Side View****Face View**

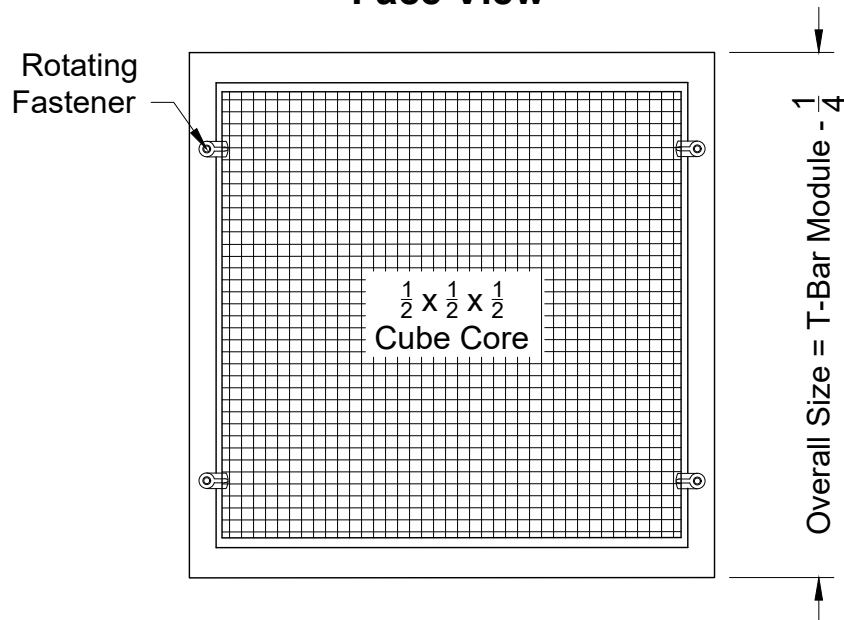
Note: This product complies with NFPA 90A-18 standard 4.3.7.3.2 and 4.3.8.3.2 and is constructed with openings through which a 1/2" sphere can not pass.



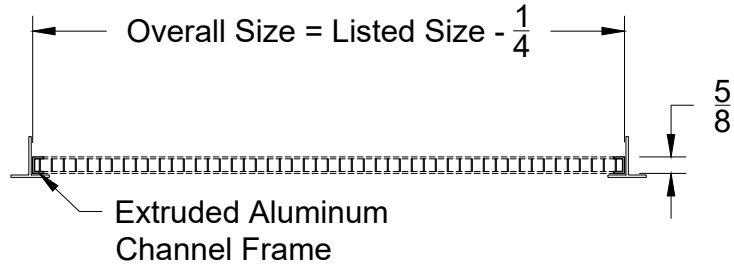
Module Table	
12x12	
24x12	
24x24	
48x24	
48x48	

Side View

Face View

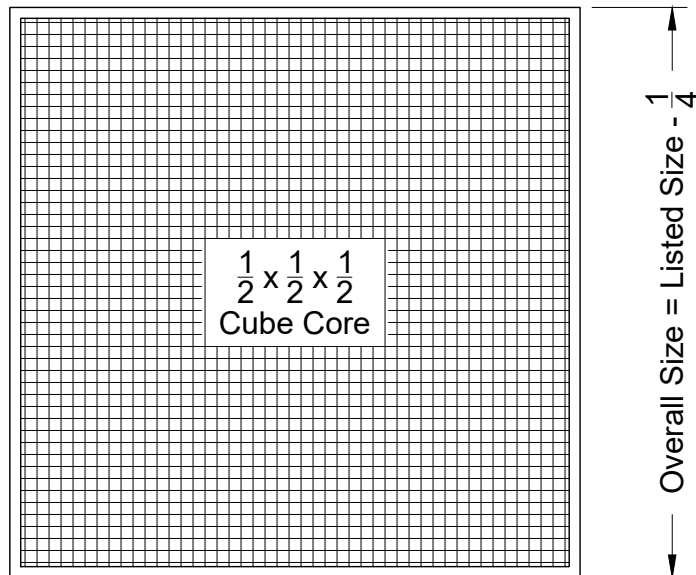


Note: This product complies with NFPA 90A-18 standard 4.3.7.3.2 and 4.3.8.3.2 and is constructed with openings through which a 1/2" sphere can not pass.



Side View

Face View



Note: This product complies with NFPA 90A-18 standard 4.3.7.3.2 and 4.3.8.3.2 and is constructed with openings through which a 1/2" sphere can not pass.