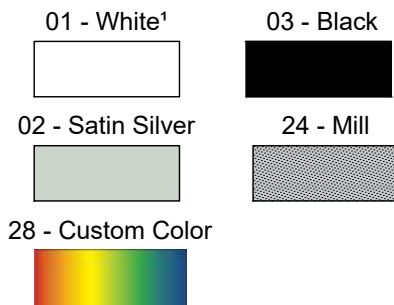


Product Features:

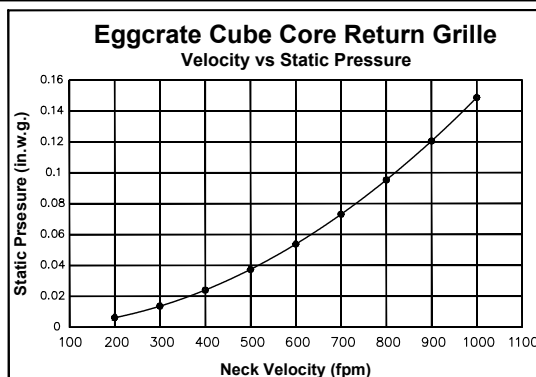
- 1/2 x 1/2 x 1" Extruded aluminum cube core face panel
- Aluminum construction (RGCC-15-AL)
- Available with hinged or removable cores
- Very low pressure drop and very low sound levels
- Largest single section size is 48x48"
- Oversized units made in multiple sections with mullion strips

Finishes


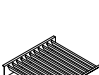
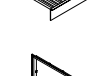
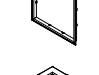
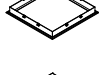
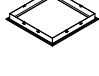
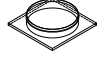




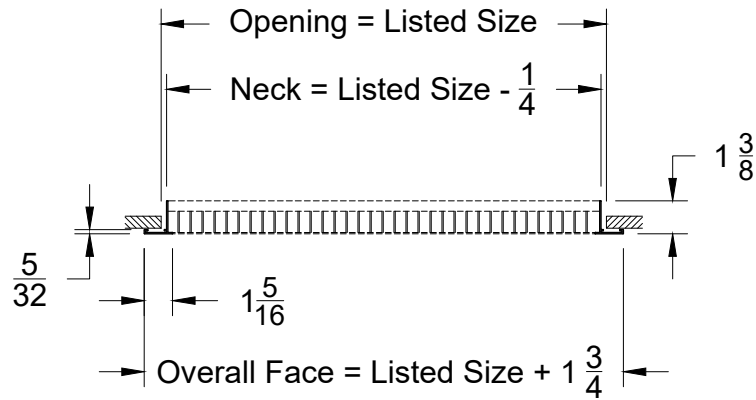
¹ White Finish is suitable for a primer coat if field painting is required.

Product Pressure Drop Performance



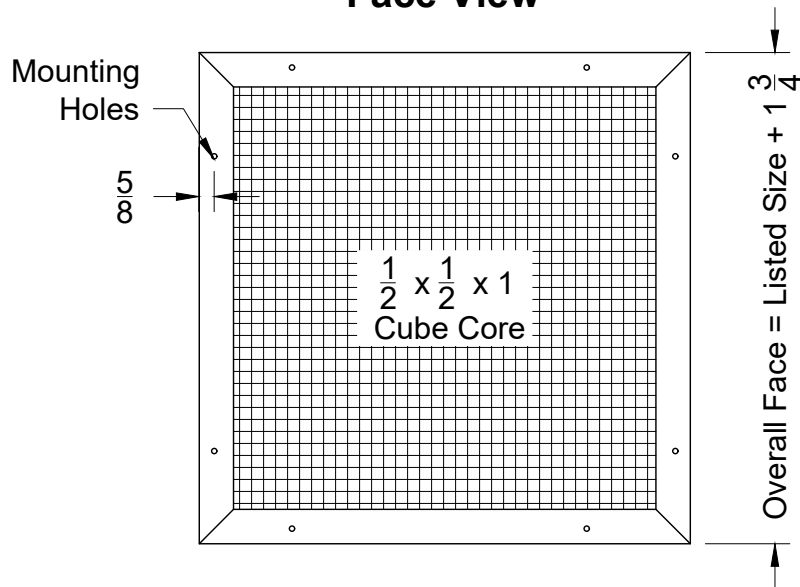
Optional Accessories:

-  OBD - Steel Opposed Blade Damper
-  OBDA - Aluminum Opposed Blade Damper
-  L9 - Equalizing Grid (Square / Rect)
-  G3 - Equalizing Grid (Round)
-  PF - Sidewall Plaster Frame
-  TBPF - T-Bar Plaster Frame
-  LIPF - Lay-In Plaster Frame
-  TR - Square to Round Transition
-  TR-Deep - Deep Transition

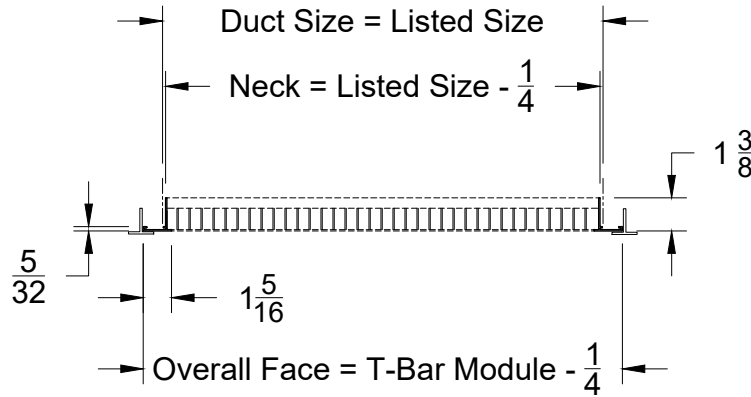


Side View

Face View



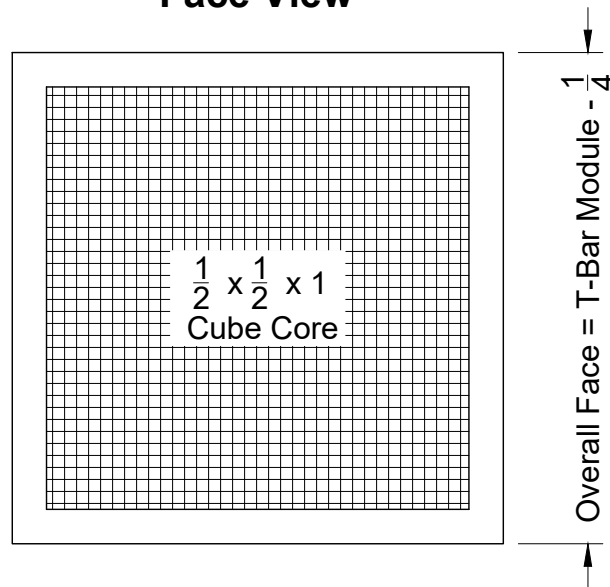
Note: This product complies with NFPA 90A-18 standard 4.3.7.3.2 and 4.3.8.3.2 and is constructed with openings through which a 1/2" sphere can not pass.



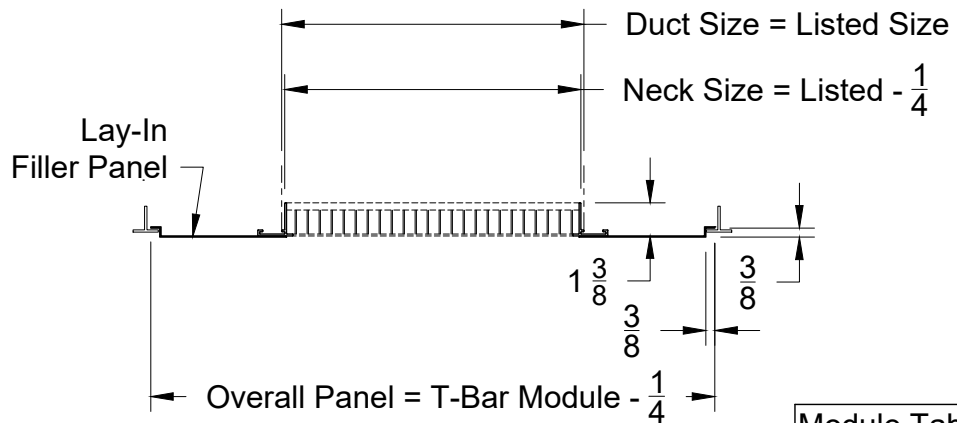
Side View

Module Table
12x12
24x12
24x24
48x24
48x48

Face View



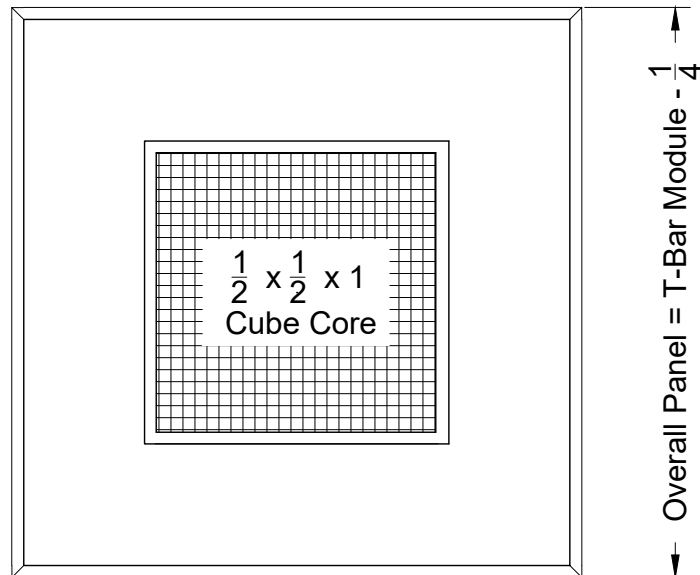
Note: This product complies with NFPA 90A-18 standard 4.3.7.3.2 and 4.3.8.3.2 and is constructed with openings through which a 1/2" sphere can not pass.



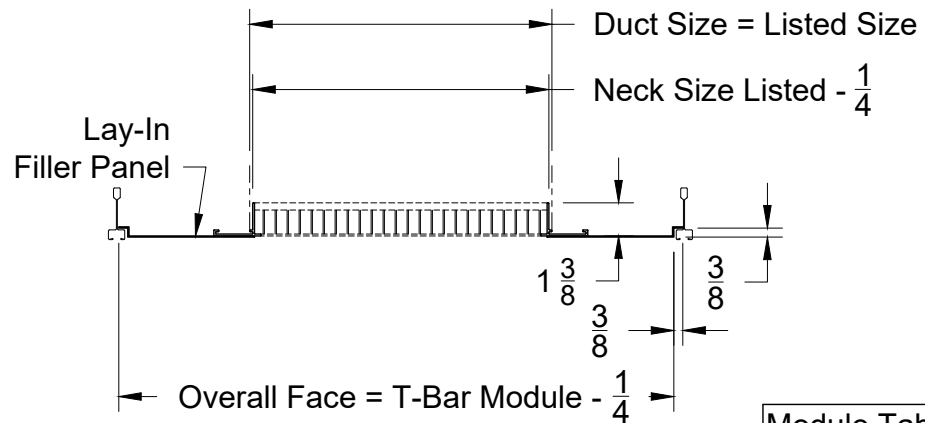
Side View

Module Table
12x12
24x12
24x24

Face View



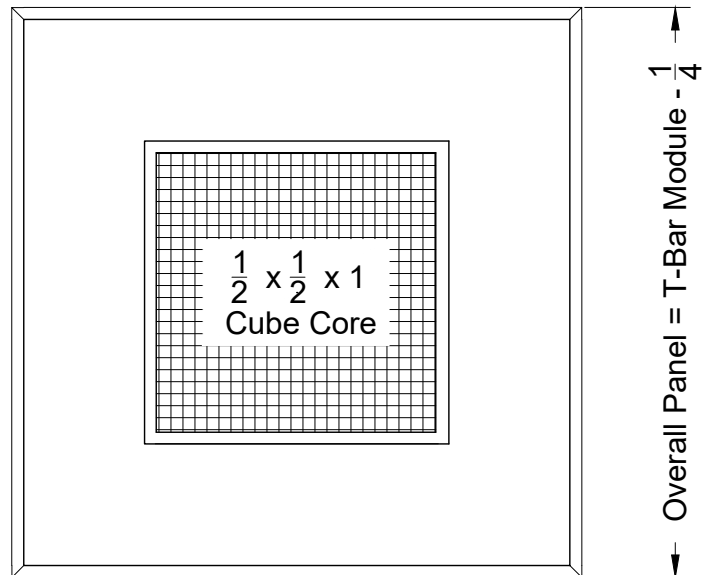
Note: This product complies with NFPA 90A-18 standard 4.3.7.3.2 and 4.3.8.3.2 and is constructed with openings through which a 1/2" sphere can not pass.



Module Table
12x12
24x12
24x24

Side View

Face View



Note: This product complies with NFPA 90A-18 standard 4.3.7.3.2 and 4.3.8.3.2 and is constructed with openings through which a 1/2" sphere can not pass.