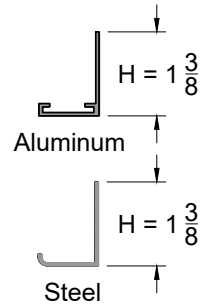







Frame Details



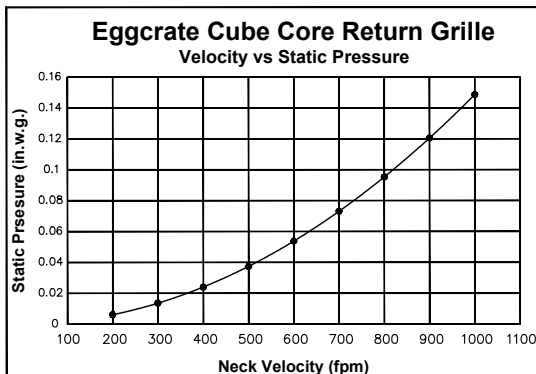
**Product Features:**

- 45 degree 1/2 x 1/2 x 1/2" Extruded aluminum cube core face panel
- 45 degree sightproof construction blocks visibility through core
- Low pressure drop and very low sound levels
- Steel construction (RGCC-45-S)
- Available in a variety of border styles
- Largest single section size is 48x48"
- Aluminum construction (RGCC-45-AL)
- Oversized units made in multiple sections with mullion strips


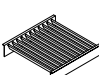
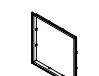
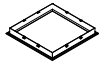
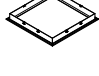

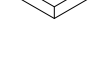
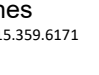
**Finishes**

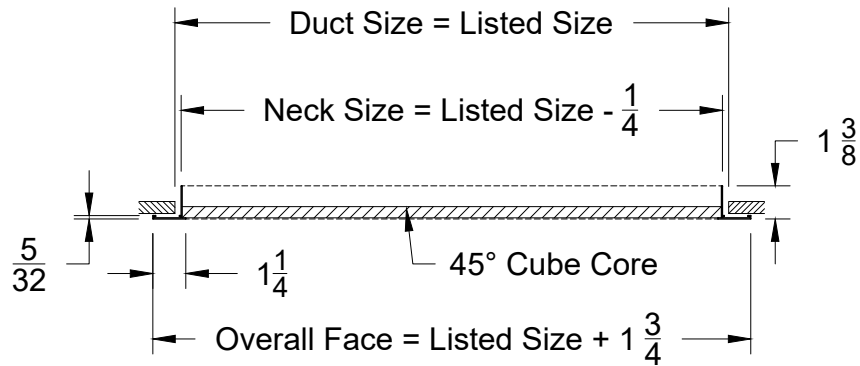
01 - White <sup>1</sup>	03 - Black	<sup>1</sup> White Finish is suitable for a primer coat if field painting is required.
		
02 - Satin Silver	24 - Mill	
		
28 - Custom Color		

**Product Pressure Drop Performance**



**Optional Accessories:**

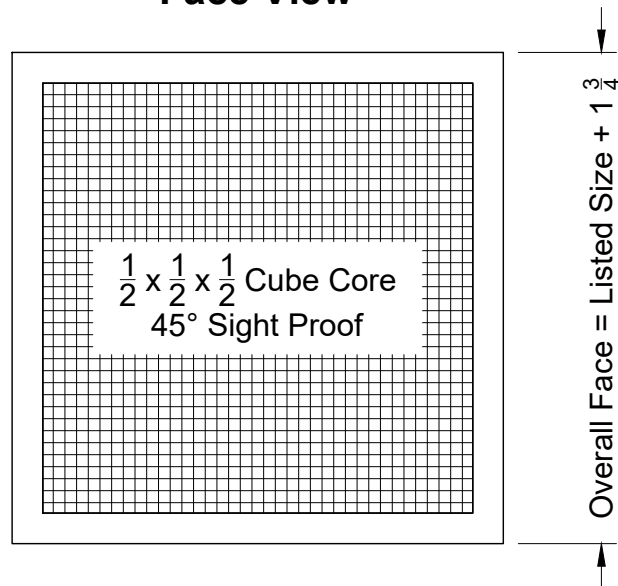
-  OBD - Steel Opposed Blade Damper
-  OBDA - Aluminum Opposed Blade Damper
-  L9 - Equalizing Grid (Square / Rect)
-  G3 - Equalizing Grid (Round)
-  PF - Sidewall Plaster Frame
-  TBPF - T-Bar Plaster Frame
-  LIPF - Lay-In Plaster Frame
-  TR - Square to Round Transition
-  TR-Deep - Deep Transition



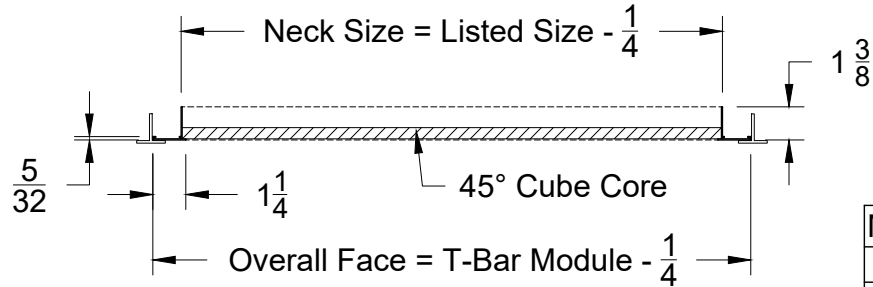
### Side View

Neck Size		
	Min	Max
Neck 1	6	46
Neck 2	4	46

### Face View



Note: This product complies with NFPA 90A-18 standard 4.3.7.3.2 and 4.3.8.3.2 and is constructed with openings through which a 1/2" sphere can not pass.

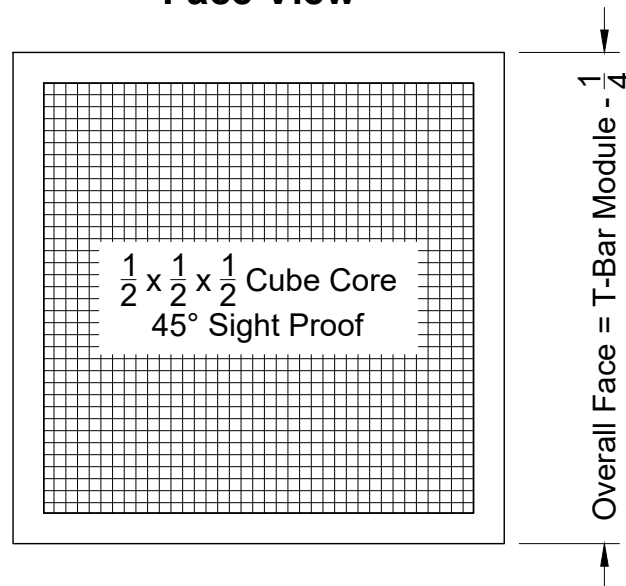


Module Table
12x12
24x12
24x24
36x36
48x24
48x48

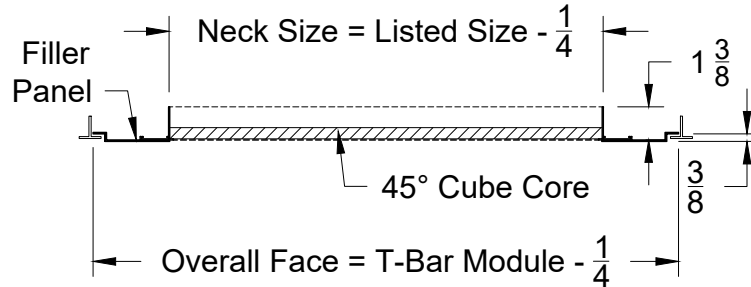
### Side View

Neck Size		
	Min	Max
Neck 1	6	46
Neck 2	4	46

### Face View



Note: This product complies with NFPA 90A-18 standard 4.3.7.3.2 and 4.3.8.3.2 and is constructed with openings through which a 1/2" sphere can not pass.

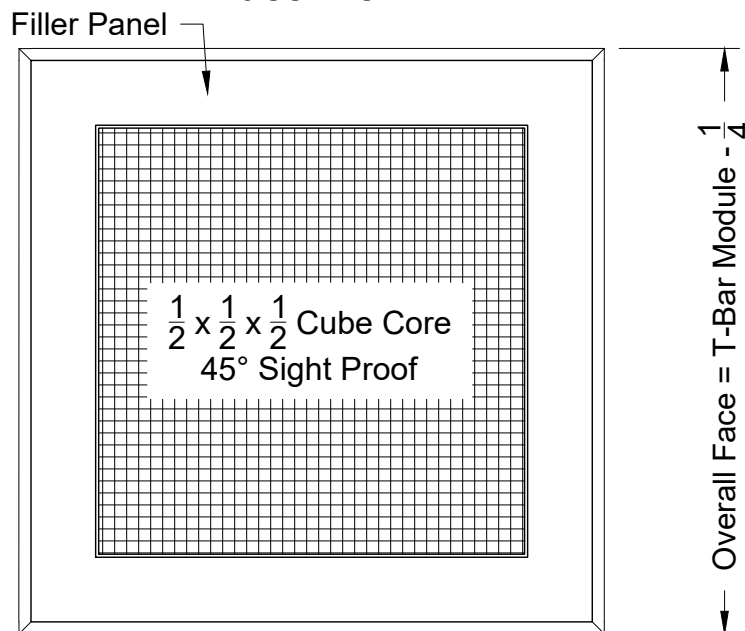


### Side View

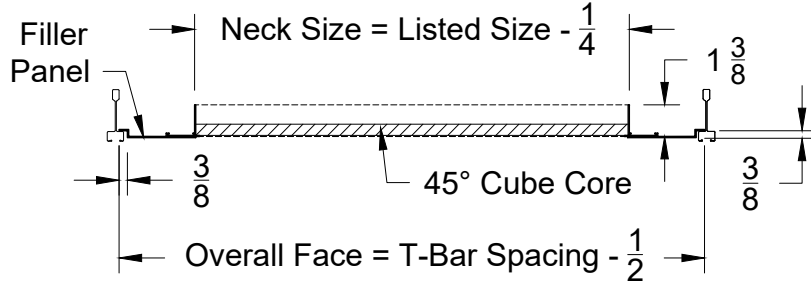
Module Table	
12x12	
24x12	
24x24	

Neck Size		
	Min	Max
Neck 1	6	20
Neck 2	4	20

### Face View



Note: This product complies with NFPA 90A-18 standard 4.3.7.3.2 and 4.3.8.3.2 and is constructed with openings through which a 1/2" sphere can not pass.

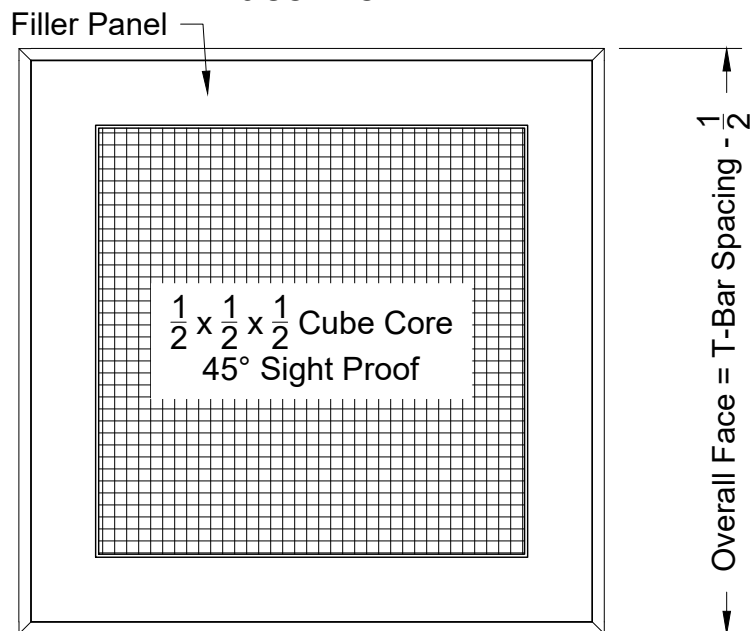


### Side View

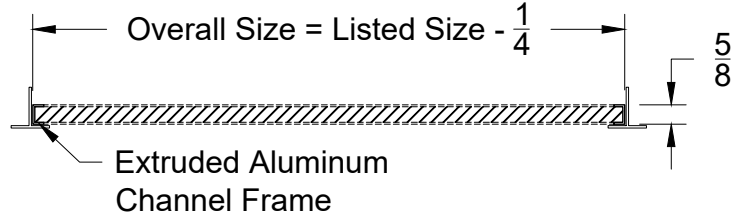
Module Table	
12x12	
24x12	
24x24	

Neck Size		
	Min	Max
Neck 1	6	20
Neck 2	4	20

### Face View

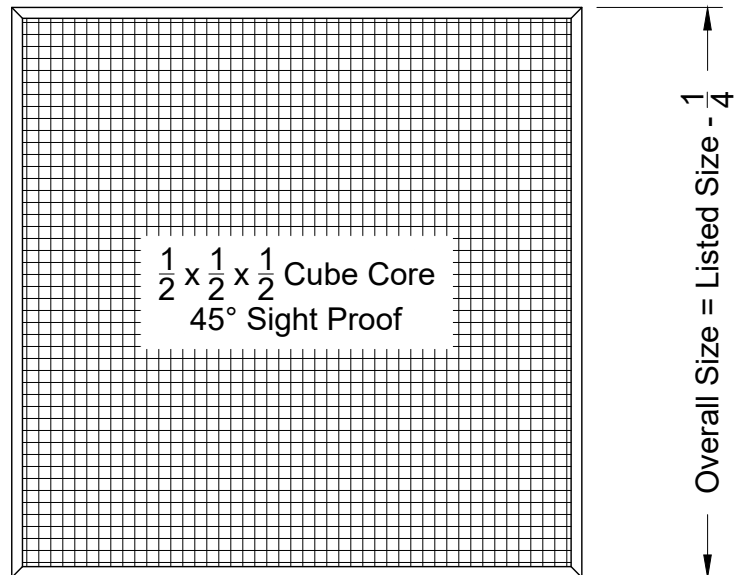


Note: This product complies with NFPA 90A-18 standard 4.3.7.3.2 and 4.3.8.3.2 and is constructed with openings through which a 1/2" sphere can not pass.



**Side View**

**Face View**



Note: This product complies with NFPA 90A-18 standard 4.3.7.3.2 and 4.3.8.3.2 and is constructed with openings through which a 1/2" sphere can not pass.