


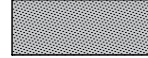

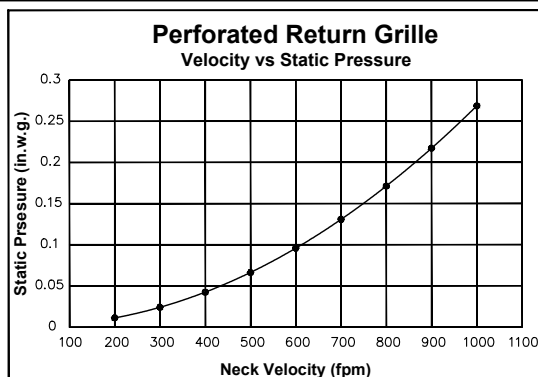

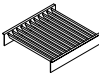
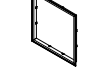

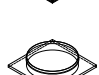
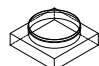



**Product Features:**

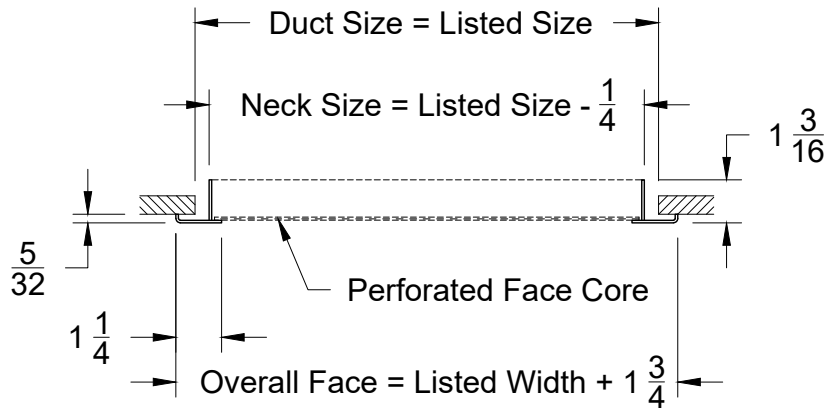
- 51% free area perforated metal face panel
- Available in surface mount or lay-in border styles
- Oversized units made in multiple sections with mullion strips
- Steel construction (RGPF-S)
- Largest single section size is 48x48"
- Aluminum construction (RGPF-AL)

**Finishes**

01 - White <sup>1</sup>	03 - Black	<sup>1</sup> White Finish is suitable for a primer coat if field painting is required.
		
02 - Satin Silver	24 - Mill	
		
28 - Custom Color		
		

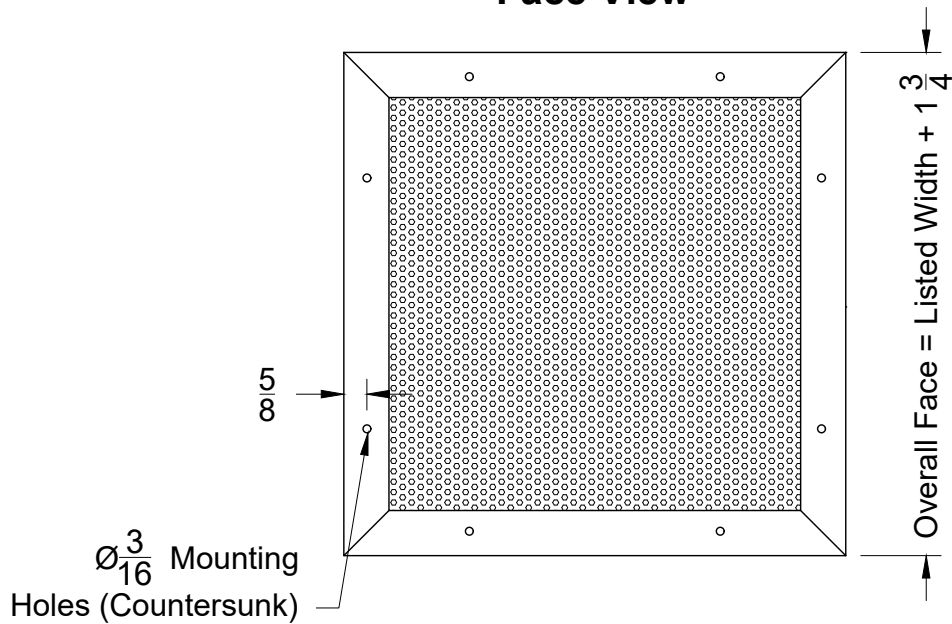
**Product Pressure Drop Performance**

**Optional Accessories:**

-  OBD - Steel Opposed Blade Damper
-  OBDA - Aluminum Opposed Blade Damper
-  L9 - Equalizing Grid (Square / Rect)
-  G3 - Equalizing Grid (Round)
-  PF - Sidewall Plaster Frame
-  TBPF - T-Bar Plaster Frame
-  LIPF - Lay-In Plaster Frame
-  TR - Square to Round Transition
-  TR-Deep - Deep Transition

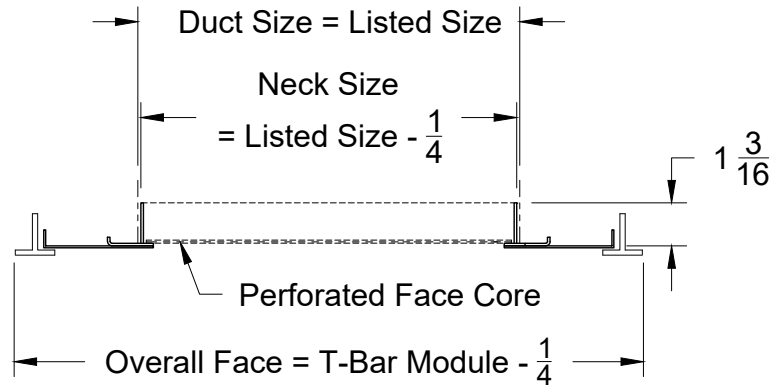


**Side View**

**Face View**



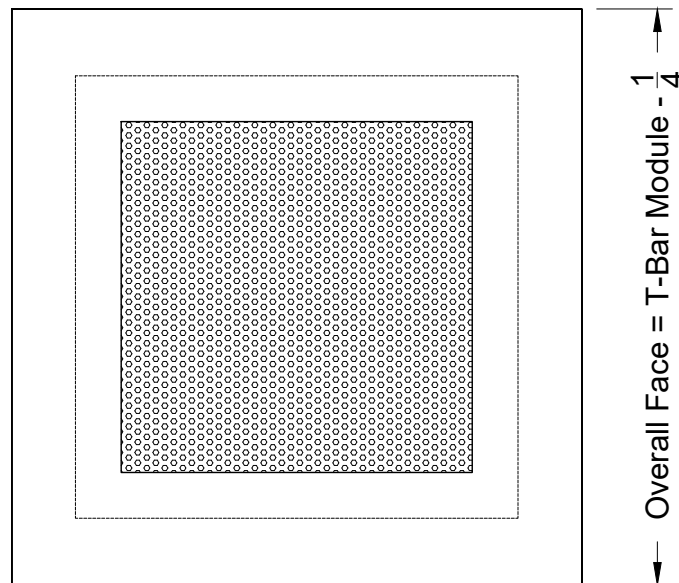
Note: This product complies with NFPA 90A-18 standard 4.3.7.3.2 and 4.3.8.3.2 and is constructed with openings through which a 1/2" sphere can not pass.



**Side View**

Module Table
12x12
24x12
24x24
48x24
48x48

**Face View**



Note: This product complies with NFPA 90A-18 standard 4.3.7.3.2 and 4.3.8.3.2 and is constructed with openings through which a 1/2" sphere can not pass.