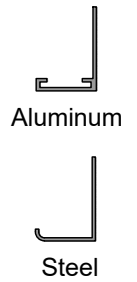




Frame Details

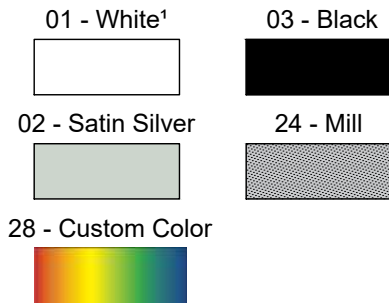


Horizontal Blades

Product Features:

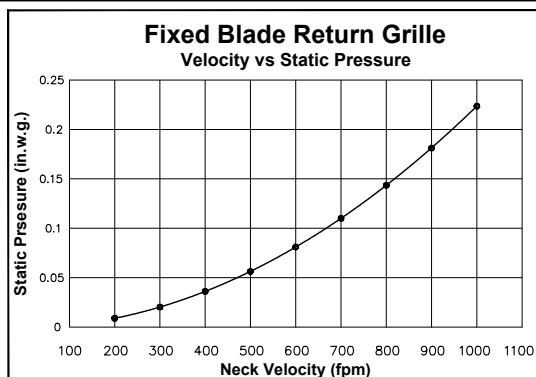
- Fixed horizontal 45 degree blades
- Steel construction available (RG-S)
- Removable and hinged cores available
- Roll-formed aluminum blades standard (RG-AL)
- 0.66" blade spacing
- Largest single section size is 48x48"
- Extruded aluminum blades available (RG-E)
- Available with special quarter turn fastening method (RG-E-QT-1)
- Oversized units made in multiple sections with mullion strips

Finishes


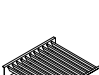
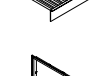
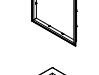

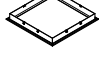
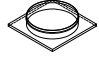




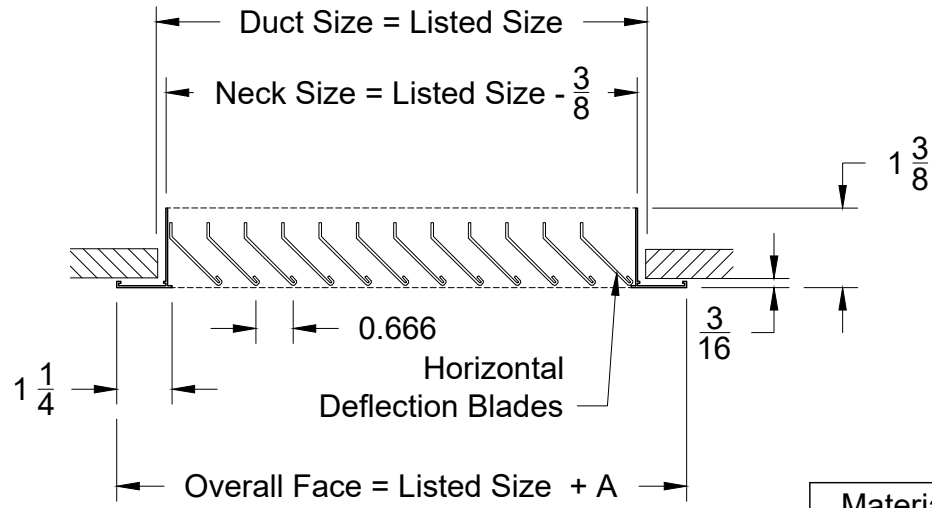
¹ White Finish is suitable for a primer coat if field painting is required.

Product Pressure Drop Performance



Optional Accessories:

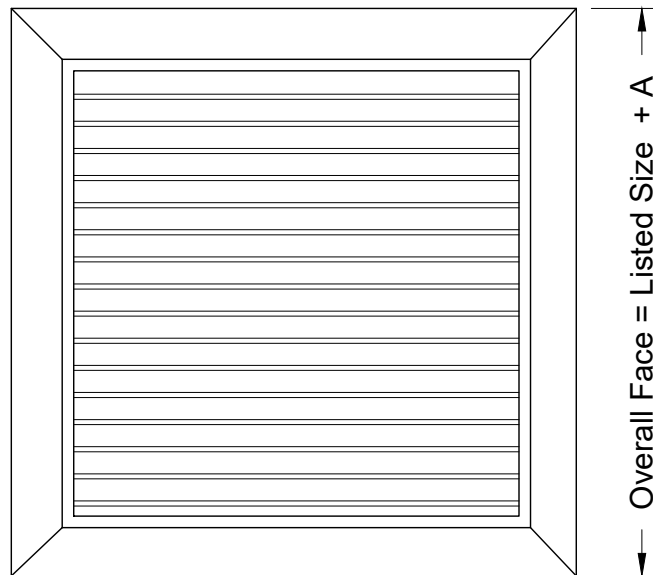
-  OBD - Steel Opposed Blade Damper
-  OBDA - Aluminum Opposed Blade Damper
-  L9 - Equalizing Grid (Square / Rect)
-  G3 - Equalizing Grid (Round)
-  PF - Sidewall Plaster Frame
-  TBPF - T-Bar Plaster Frame
-  LIPF - Lay-In Plaster Frame
-  TR - Square to Round Transition
-  TR-Deep - Deep Transition



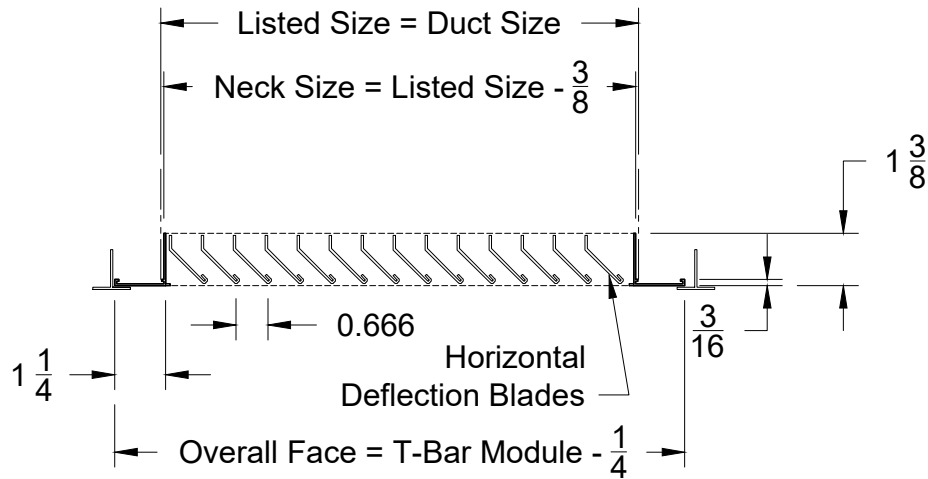
Material	A
Aluminum	1 3/4
Steel	2 1/8

Side View

Face View

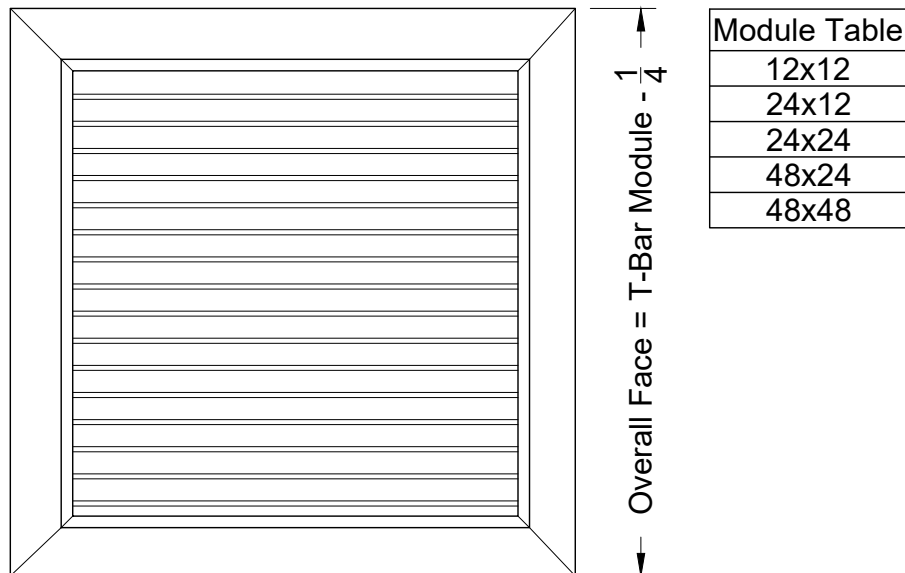


Note: This product complies with NFPA 90A-18 standard 4.3.7.3.2 and 4.3.8.3.2 and is constructed with openings through which a 1/2" sphere can not pass.

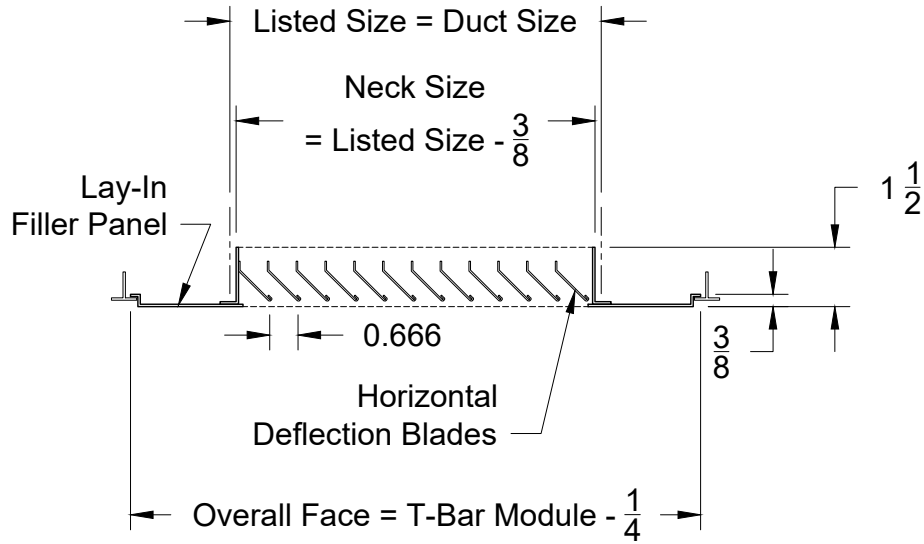


Side View

Face View

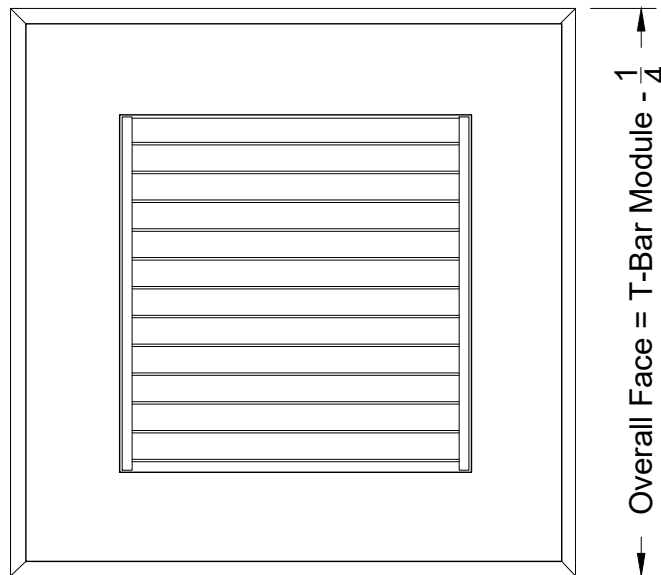


Note: This product complies with NFPA 90A-18 standard 4.3.7.3.2 and 4.3.8.3.2 and is constructed with openings through which a 1/2" sphere can not pass.



Side View

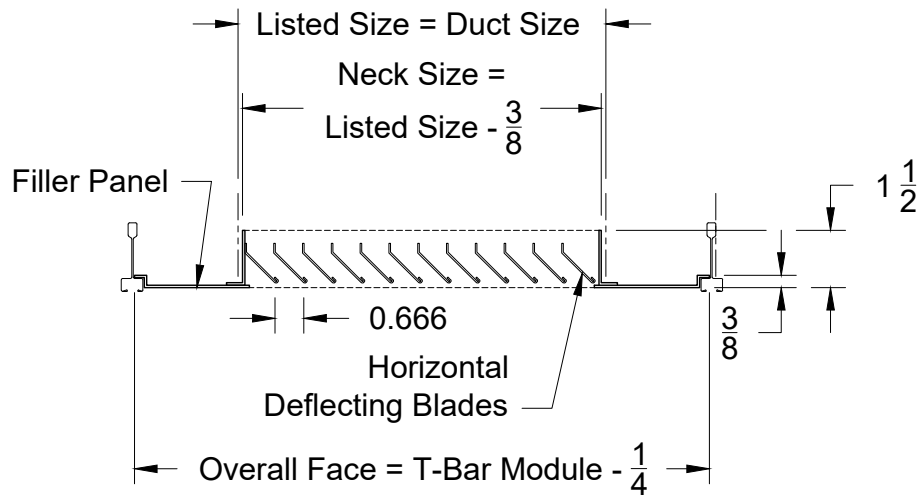
Face View



Module Table
12x12
24x12
24x24

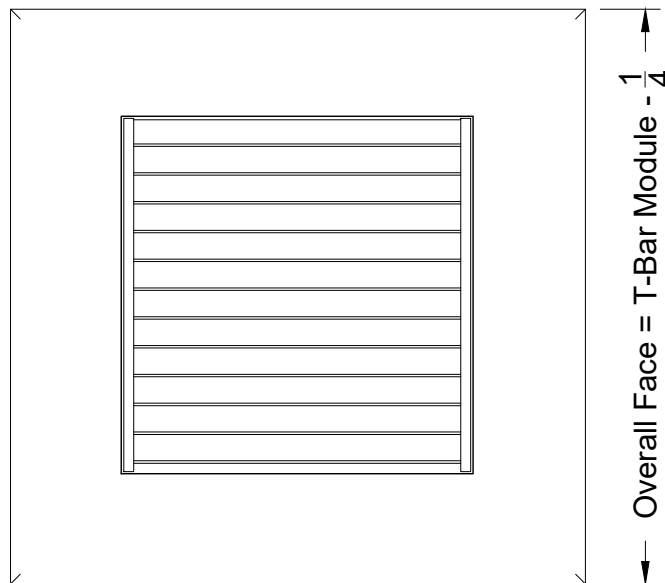
Panel Sizes: 12x12, 24x12 & 24x24

Note: This product complies with NFPA 90A-18 standard 4.3.7.3.2 and 4.3.8.3.2 and is constructed with openings through which a 1/2" sphere can not pass.



Side View

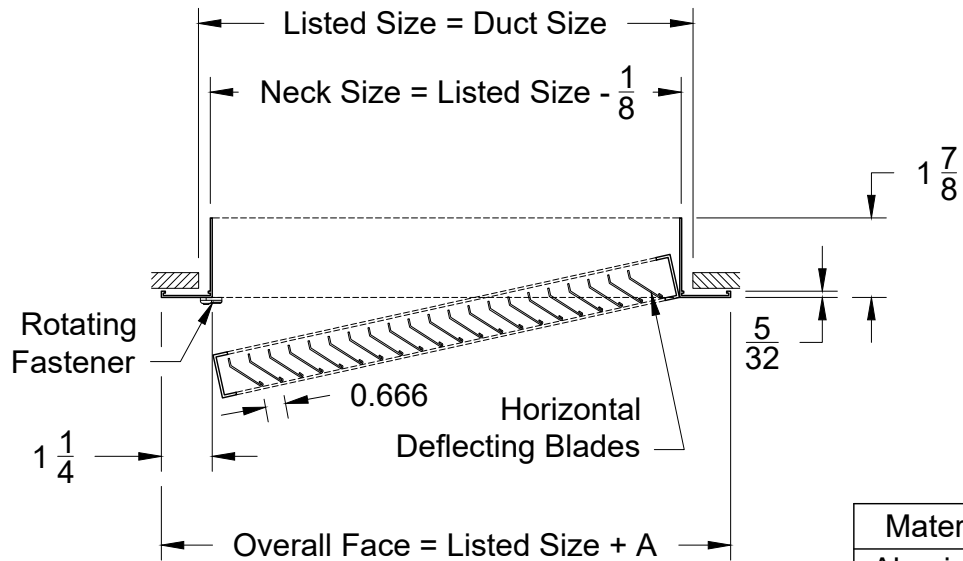
Face View



Module Table
12x12
24x12
24x24

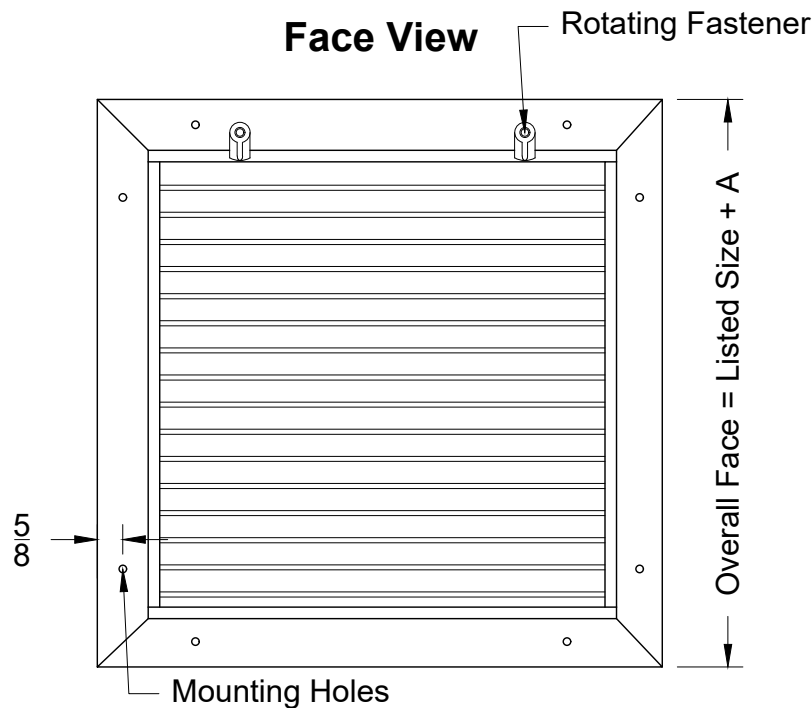
Panel Sizes: 12x12, 24x12 & 24x24

Note: This product complies with NFPA 90A-18 standard 4.3.7.3.2 and 4.3.8.3.2 and is constructed with openings through which a 1/2" sphere can not pass.

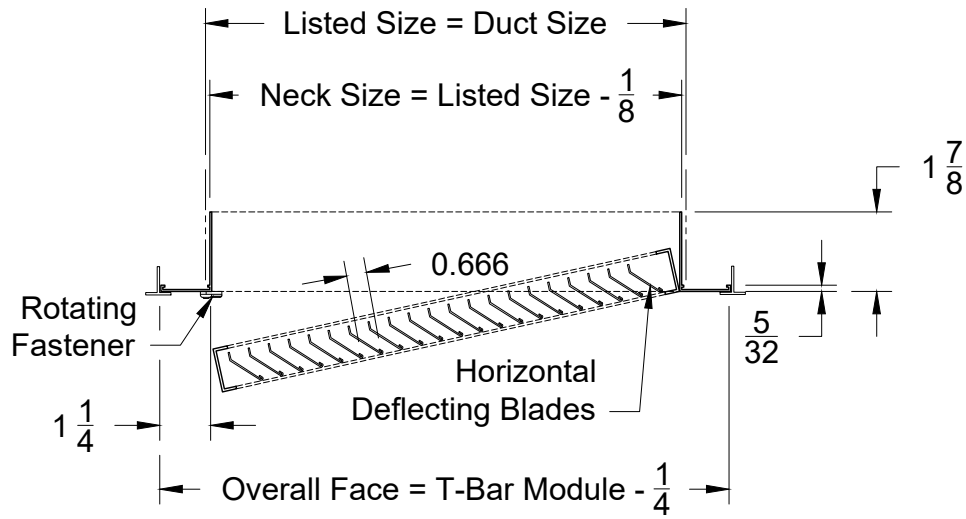


Material	A
Aluminum	2 1/4
Steel	2 1/8

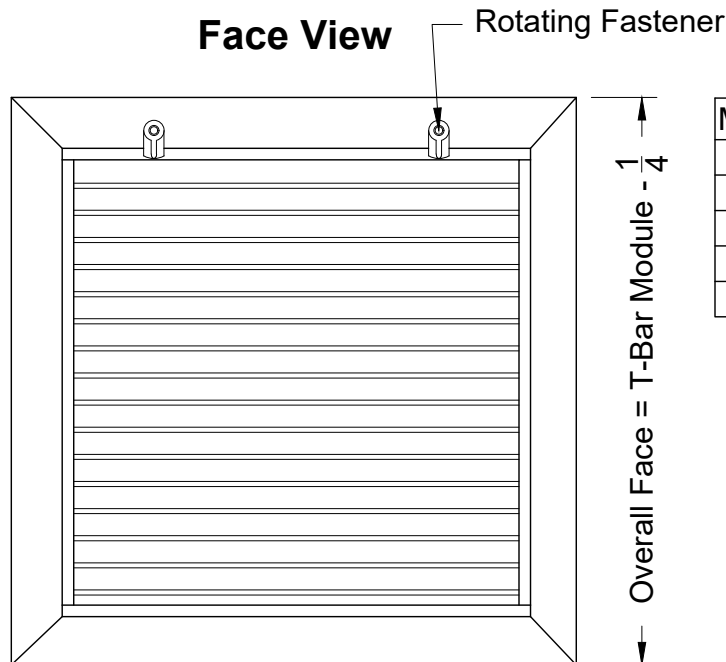
Side View



Note: This product complies with NFPA 90A-18 standard 4.3.7.3.2 and 4.3.8.3.2 and is constructed with openings through which a 1/2" sphere can not pass.

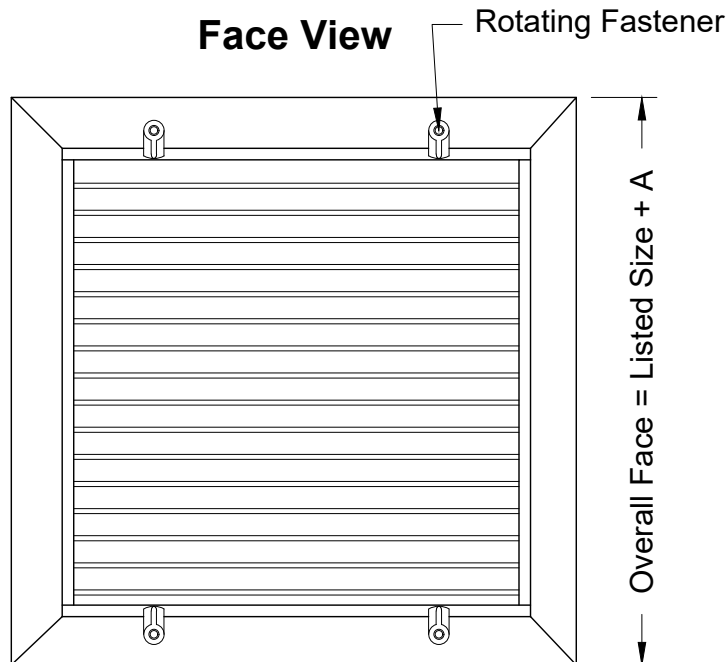
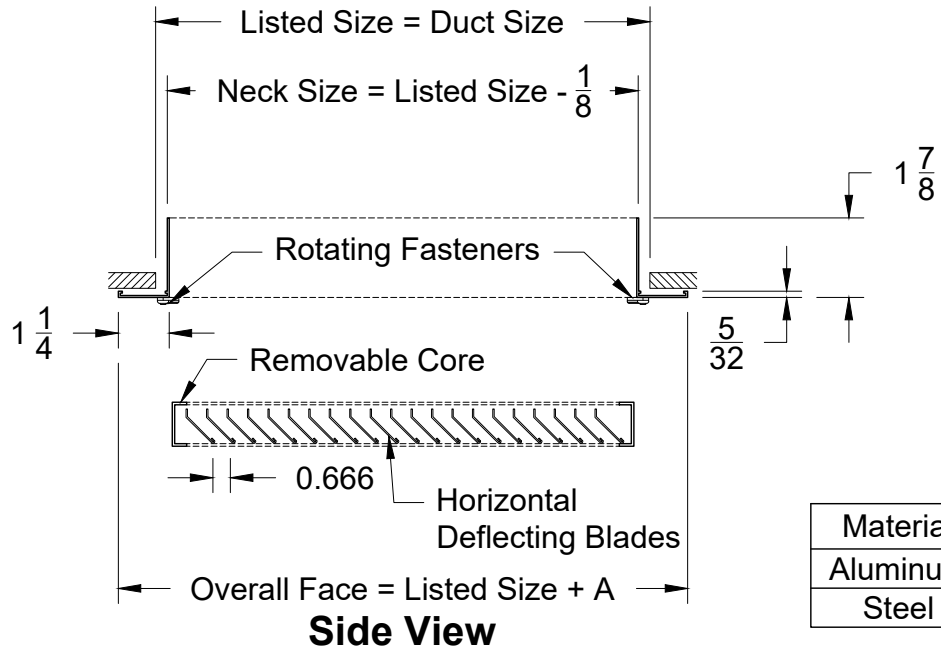


Side View

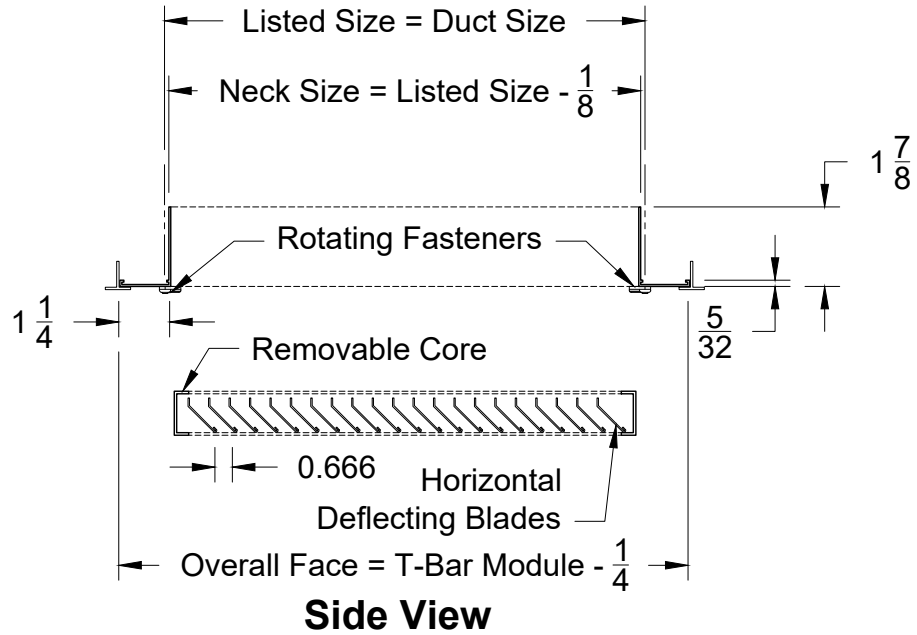


Module Table	
12x12	
24x12	
24x24	
48x24	
48x48	

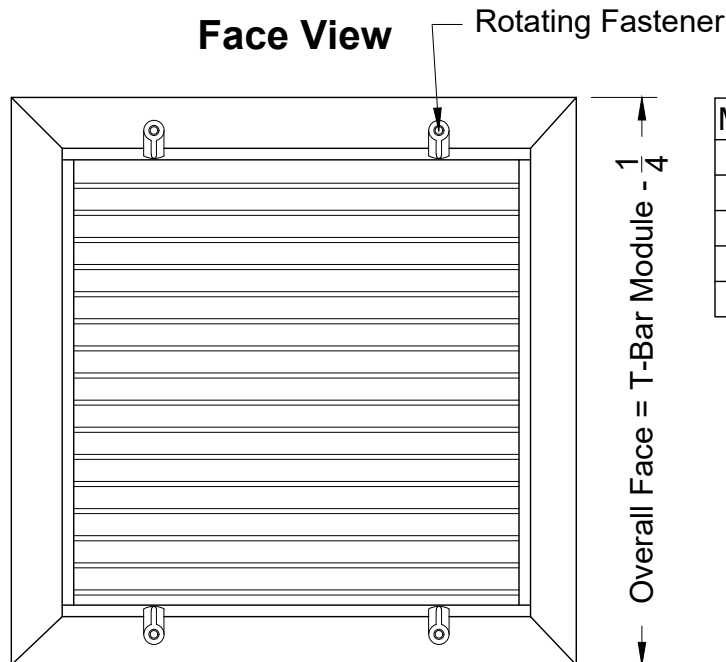
Note: This product complies with NFPA 90A-18 standard 4.3.7.3.2 and 4.3.8.3.2 and is constructed with openings through which a 1/2" sphere can not pass.



Note: This product complies with NFPA 90A-18 standard 4.3.7.3.2 and 4.3.8.3.2 and is constructed with openings through which a 1/2" sphere can not pass.

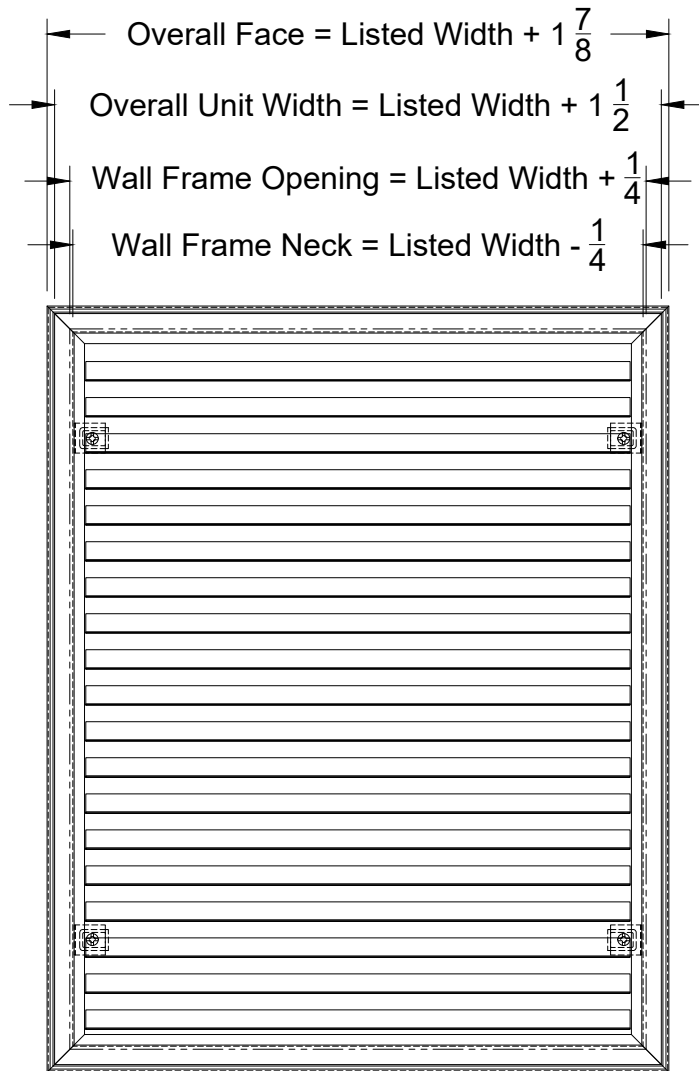


Face View

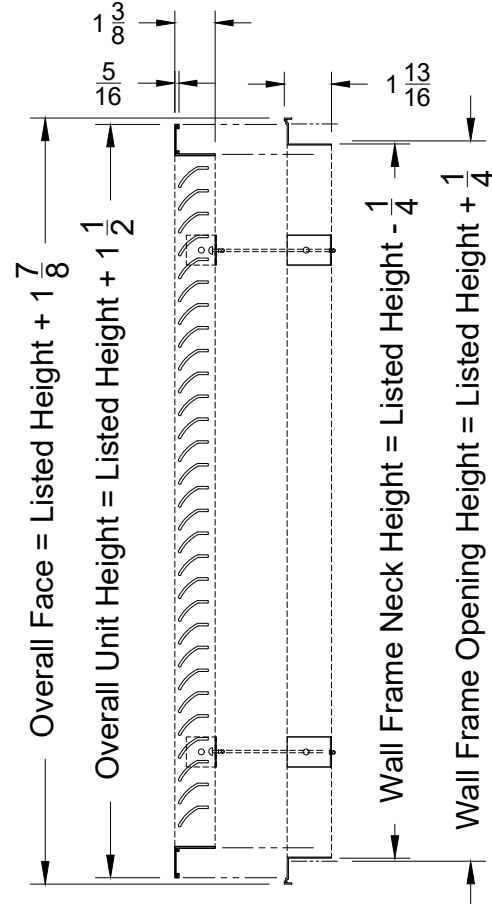


Module Table	
12x12	
24x12	
24x24	
48x24	
48x48	

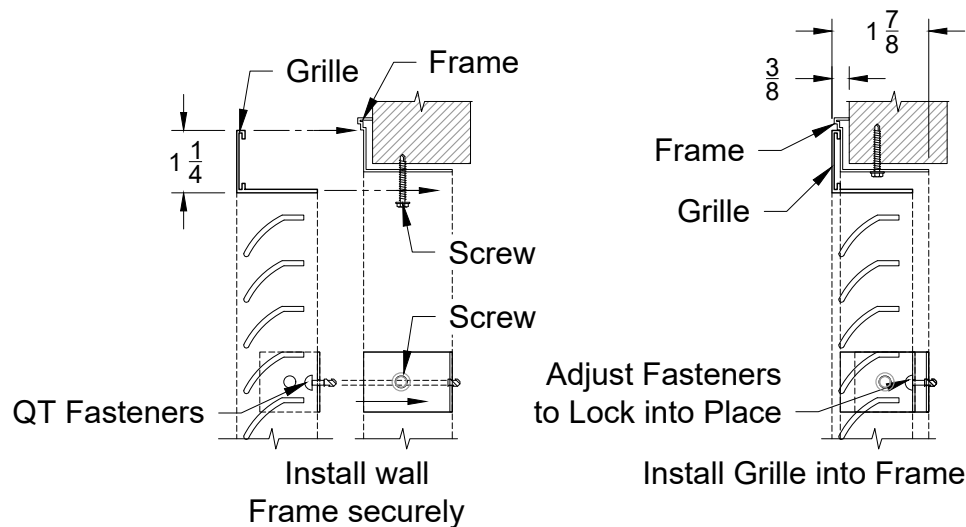
Note: This product complies with NFPA 90A-18 standard 4.3.7.3.2 and 4.3.8.3.2 and is constructed with openings through which a 1/2" sphere can not pass.



Face View



Side View



Note: This product complies with NFPA 90A-18 standard 4.3.7.3.2 and 4.3.8.3.2 and is constructed with openings through which a 1/2" sphere can not pass.