
Product Features:

- Available with 1/2" wide frames
- Available with 7/32" or 1/8" thick bars
- Pencil proof 17/64" bars available
- Available with 1/2" or 1/4" bar spacing
- Widths 3.5" and smaller use flap style dampers
- Widths 4" and larger use standard opposed blade dampers
- Available for straight and curved applications
- Various frame types are available for different applications
- H - Concealed Mounting Hanger
- Available in lengths up to 1200" in multiple sections.
- Max. Single Section Length 72"
- Model LBG is available in widths from 1 1/2" to 24" in 1/2" increments
- Can come with hanger brackets for concealed mounting
- Available with sub-frames for specific applications
- Extruded aluminum construction

Finishes

 01 - White¹


03 - Black


¹ White Finish is suitable for a primer coat if field painting is required.

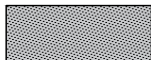
02 - Satin Silver



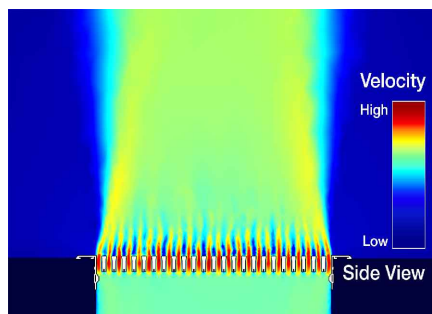
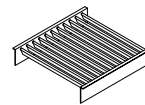
04 - Clear Anodized



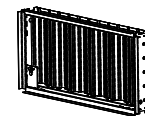
24 - Mill



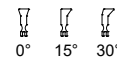
28 - Custom Color

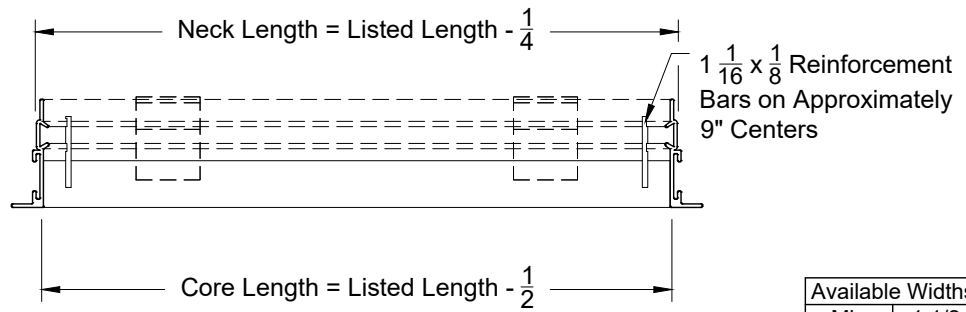
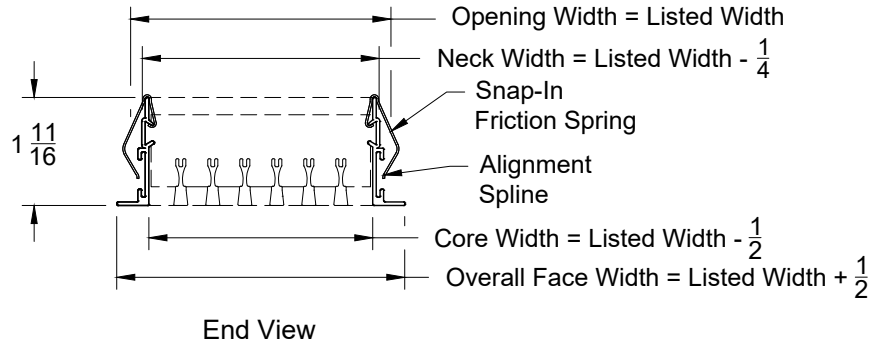

CFD Throw Pattern Visualization

Optional Accessories:


L9 - Equalizing Grid



DA - Opposed Blade Damper Aluminum

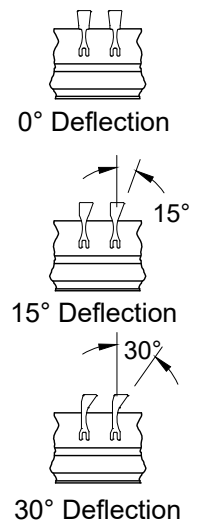
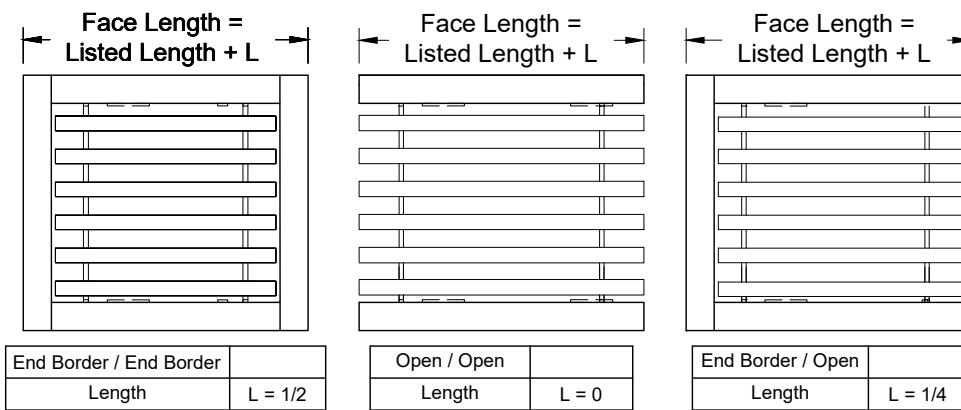

 PP - Pencil Proof Core
 17/64" Pencil Proof Bars

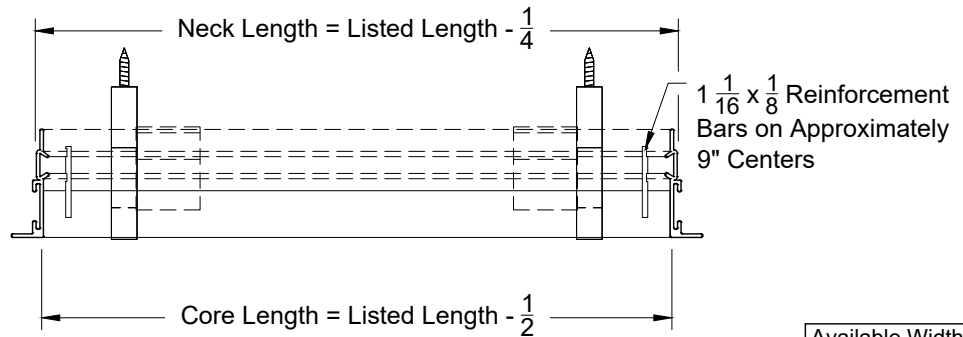
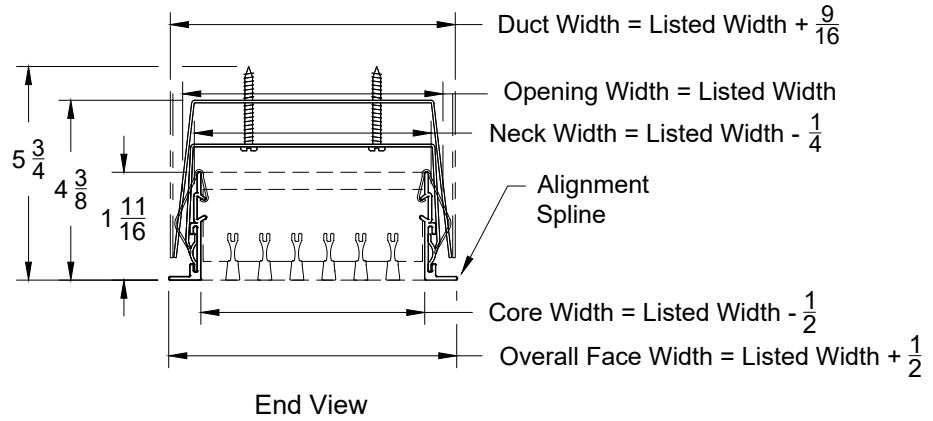


Available Widths	
Min	1 1/2
Max	24

*Available in 1/2 increments

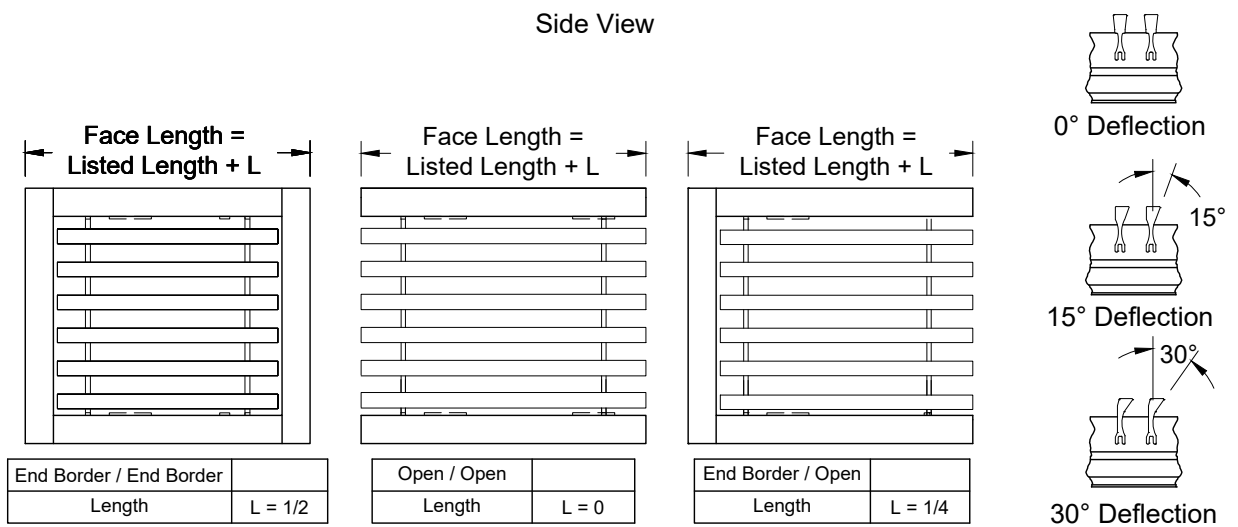
Side View

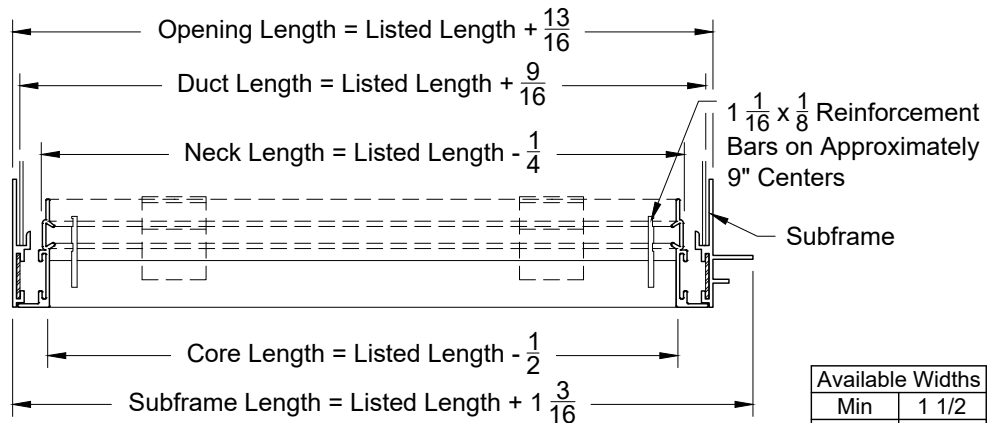
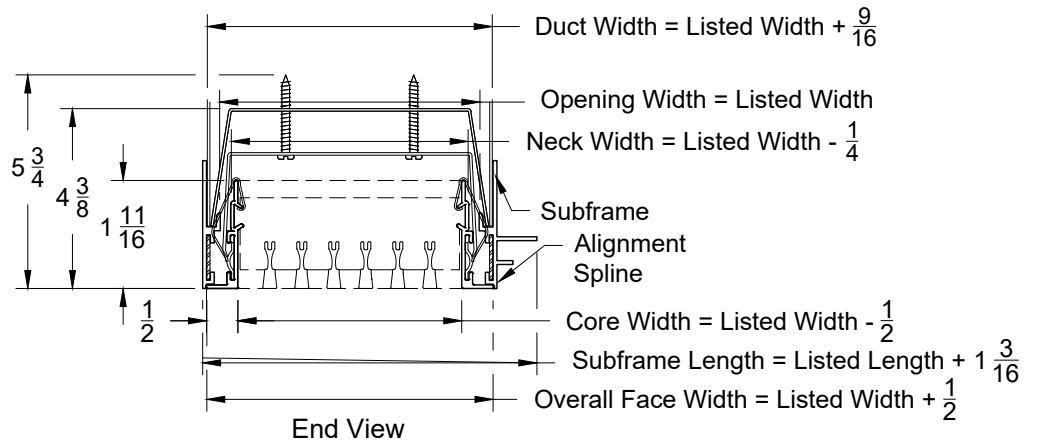




Available Widths	
Min	1 1/2
Max	24

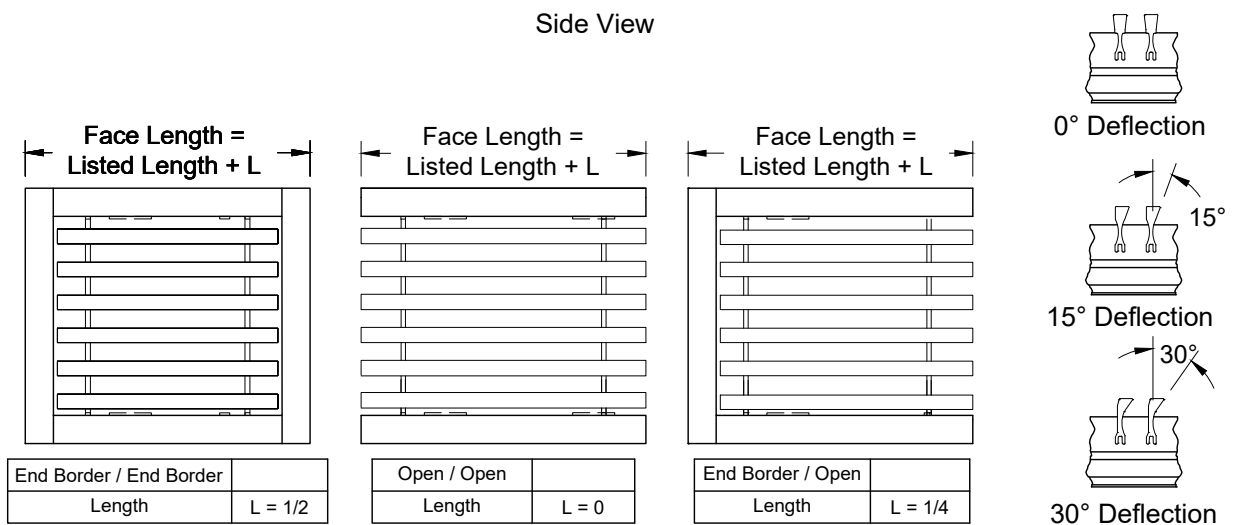
*Available in 1/2 increments

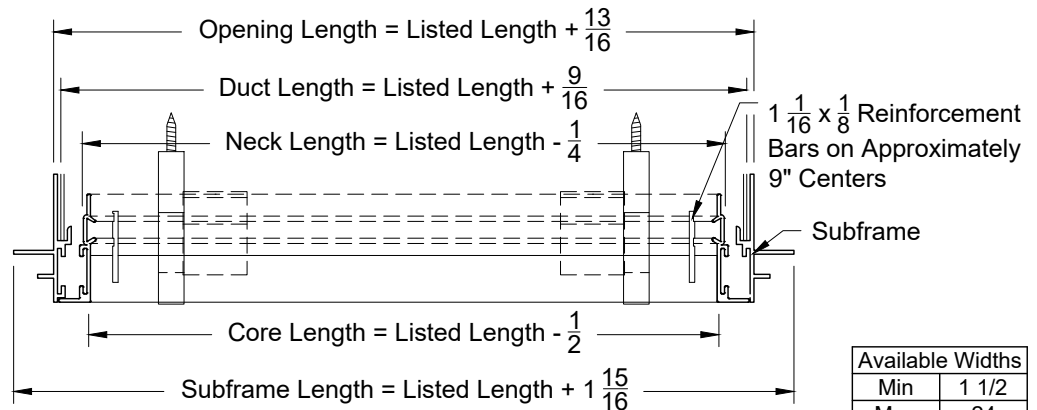
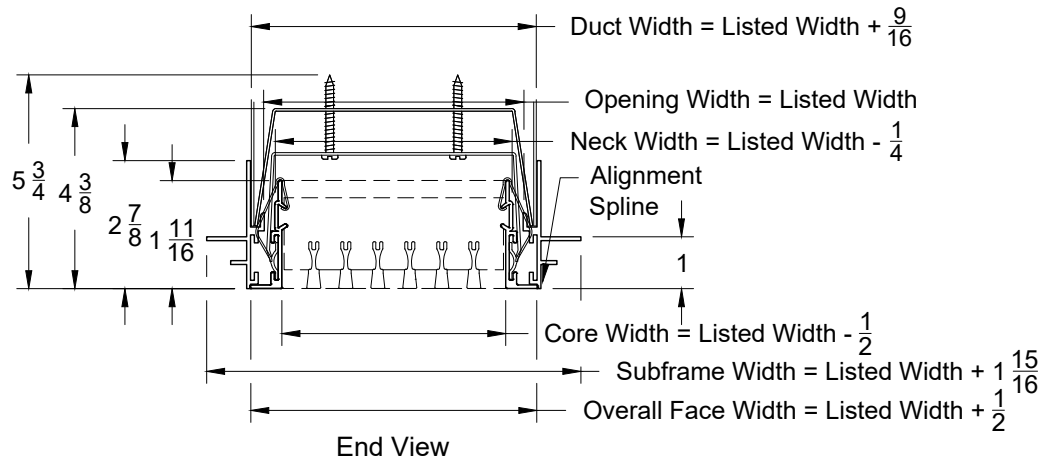




Available Widths	
Min	1 1/2
Max	24

*Available in 1/2 increments

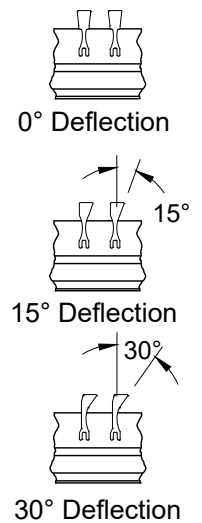
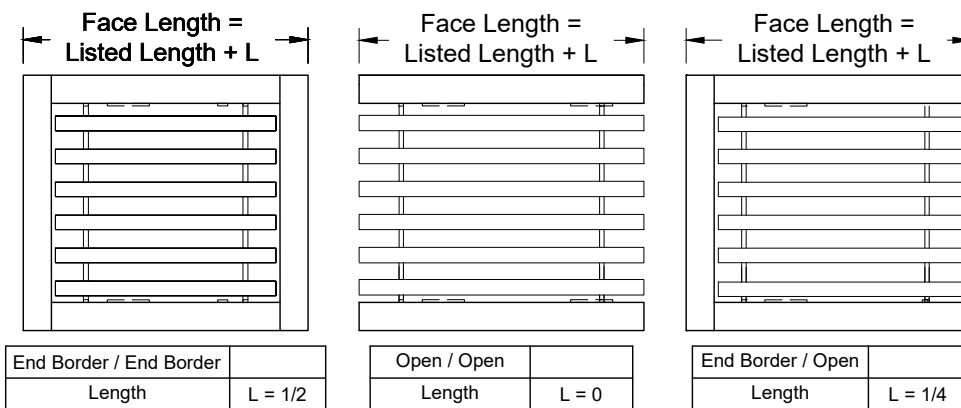


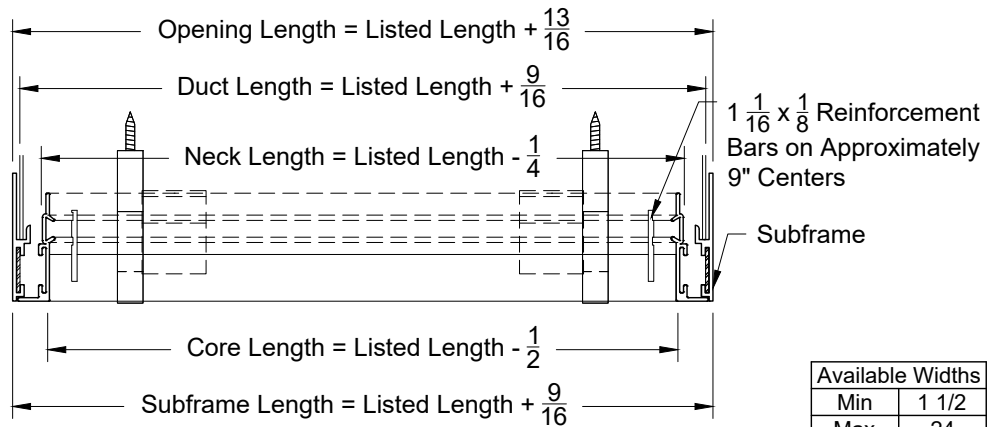
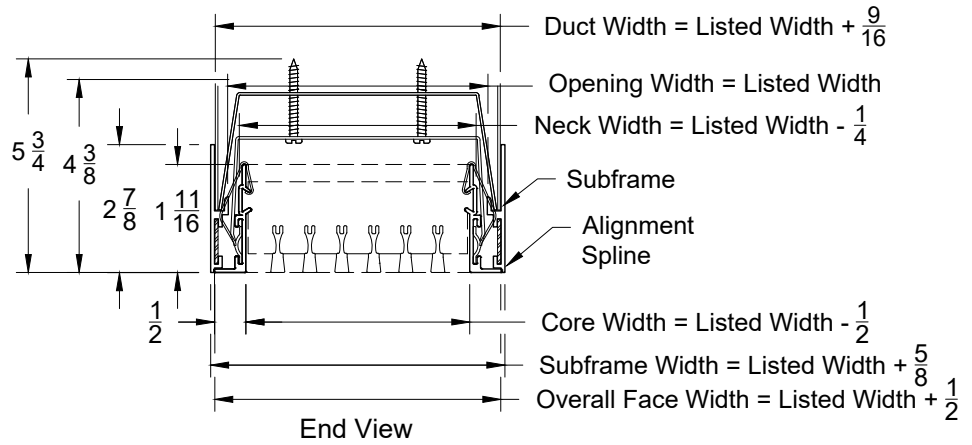


Available Widths	
Min	1 1/2
Max	24

*Available in 1/2 increments

Side View

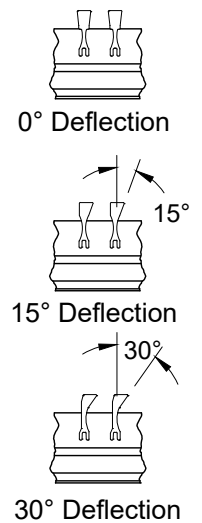
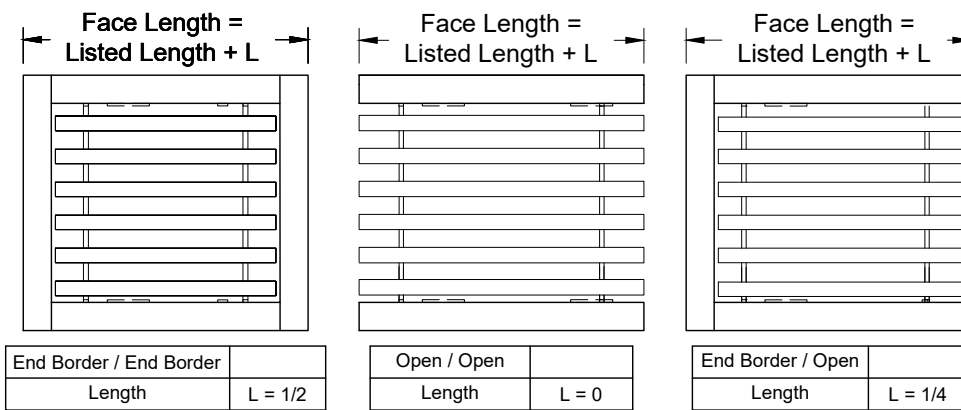


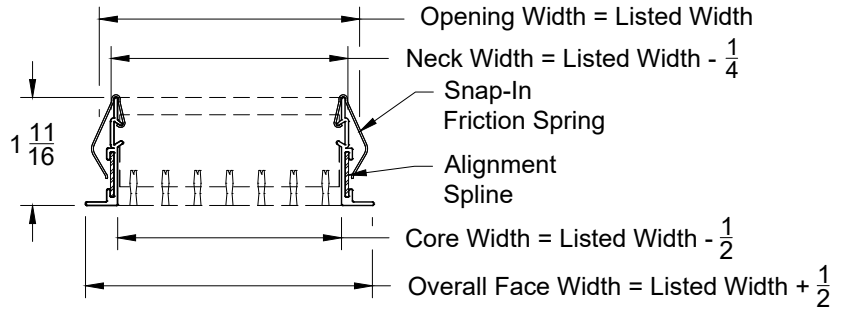


Available Widths	
Min	1 1/2
Max	24

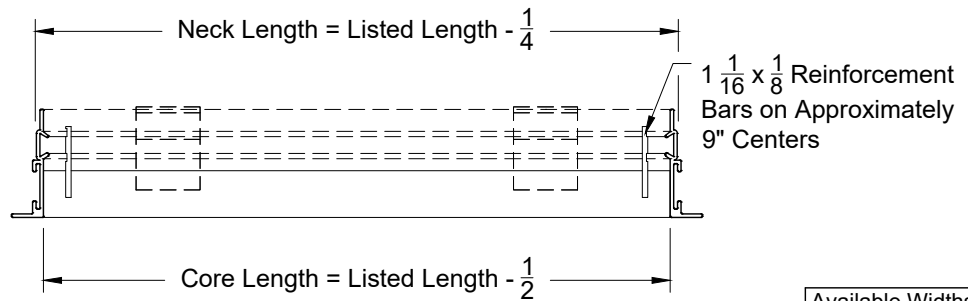
*Available in 1/2 increments

Side View





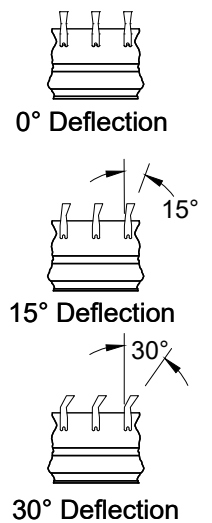
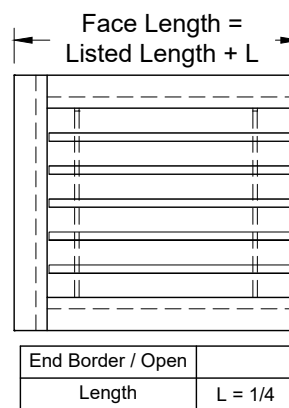
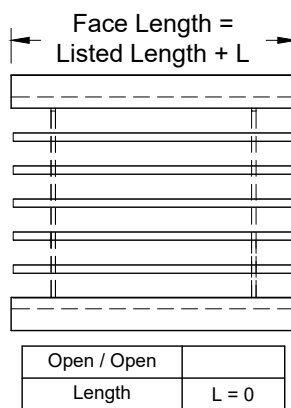
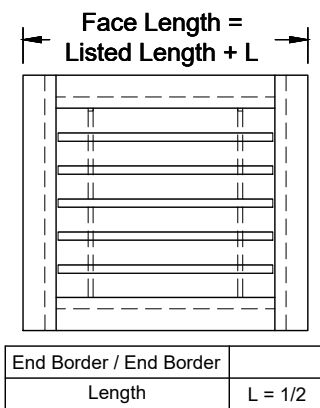
End View

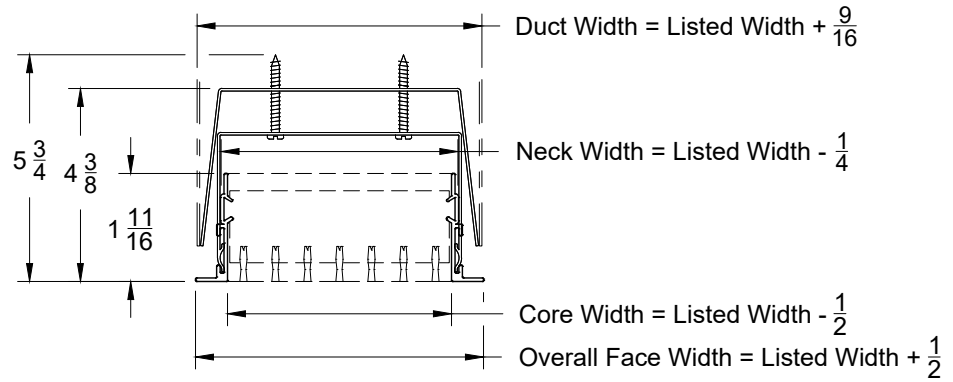


Available Widths	
Min	1 1/2
Max	24

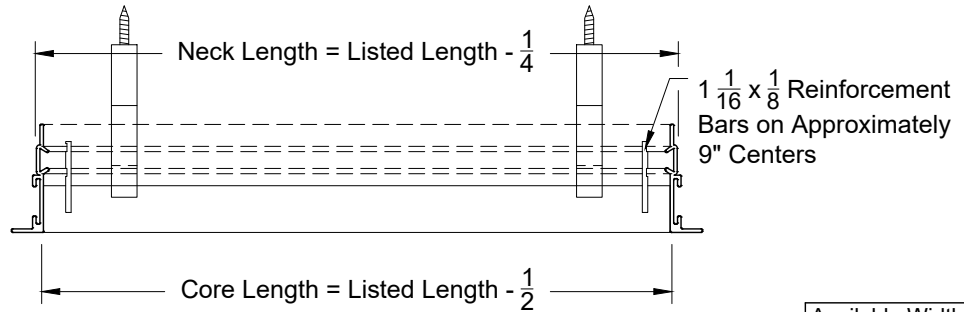
*Available in 1/2 increments

Side View





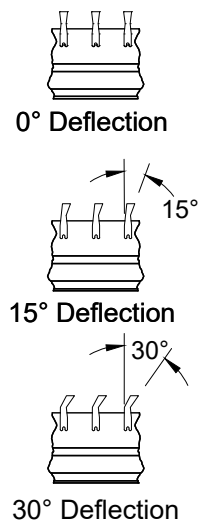
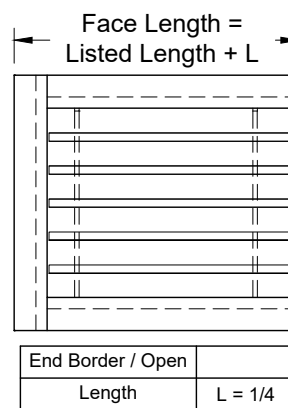
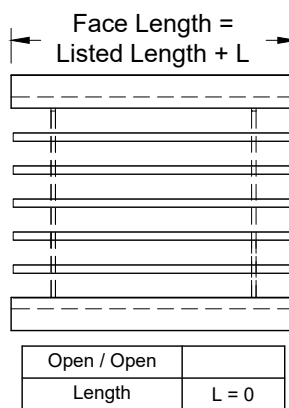
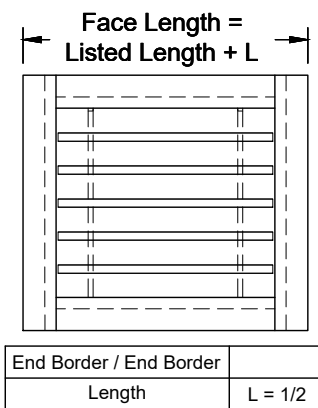
End View

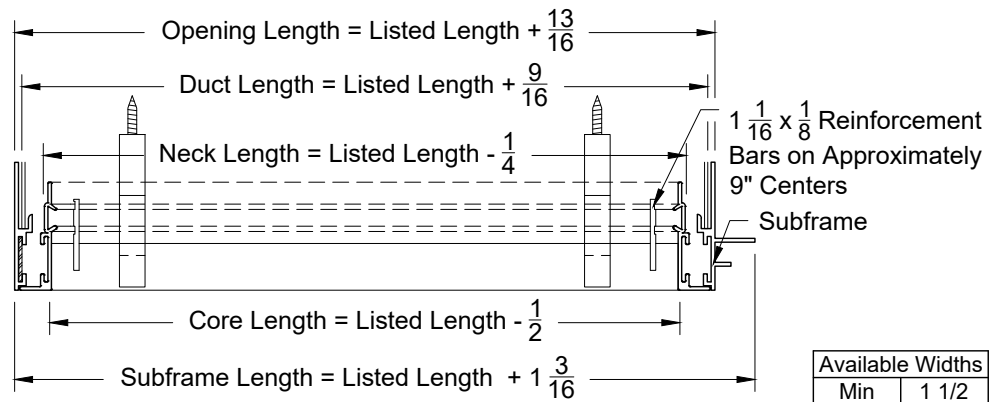
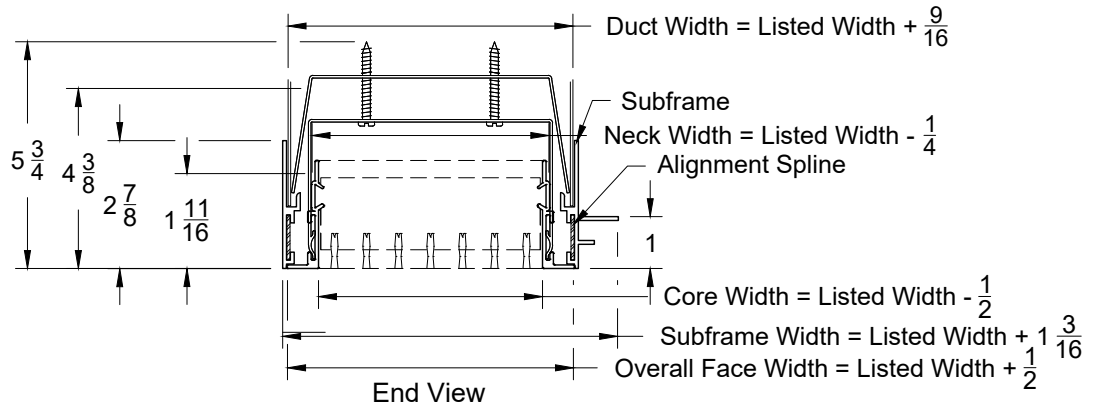


Available Widths	
Min	1 1/2
Max	24

*Available in 1/2 increments

Side View

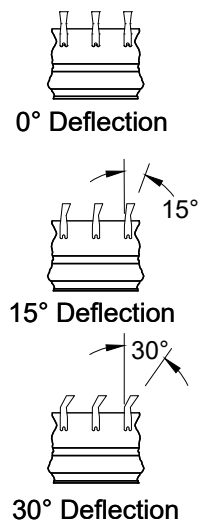
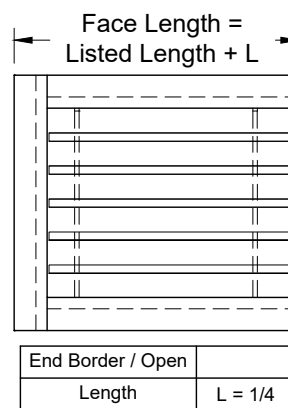
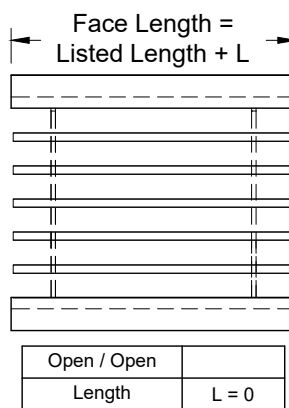
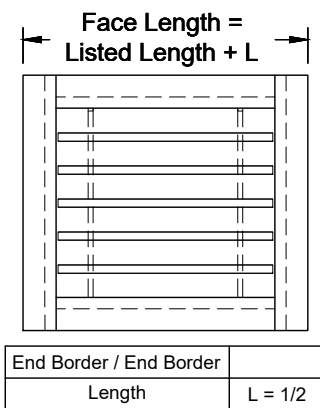


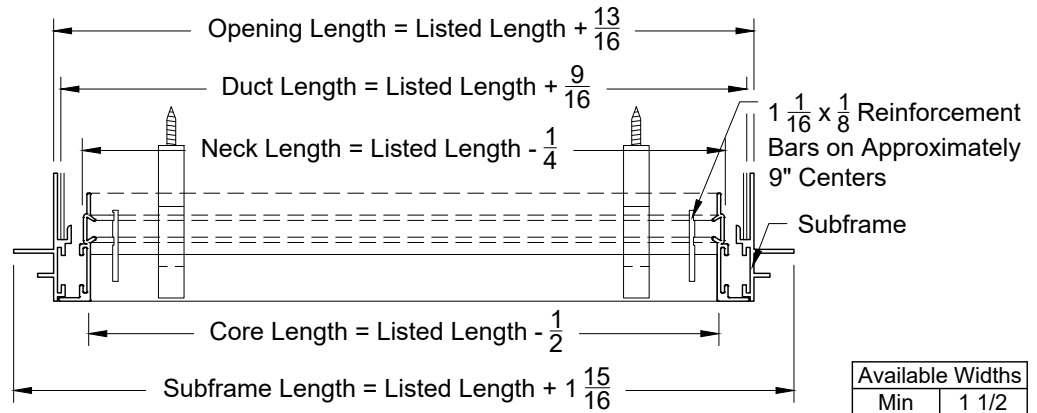
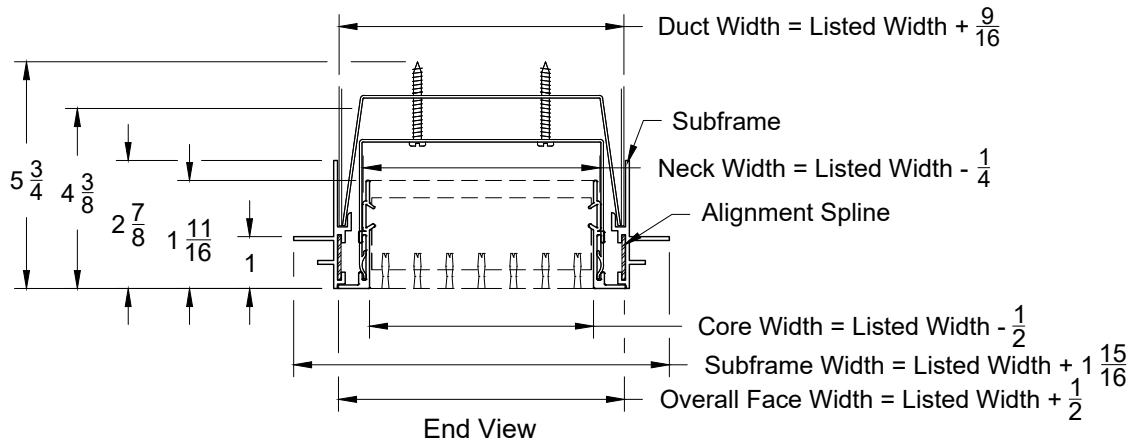


Available Widths	
Min	1 1/2
Max	24

*Available in 1/2 increments

Side View

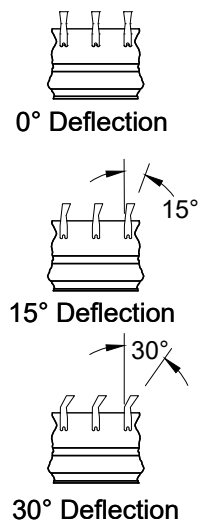
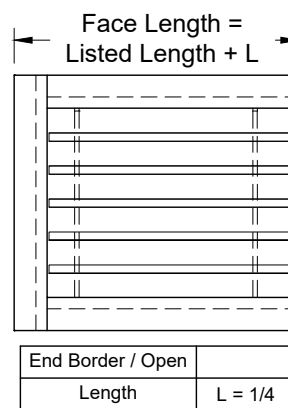
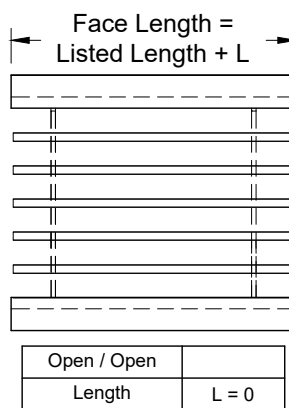
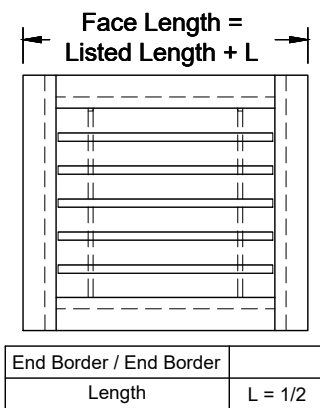


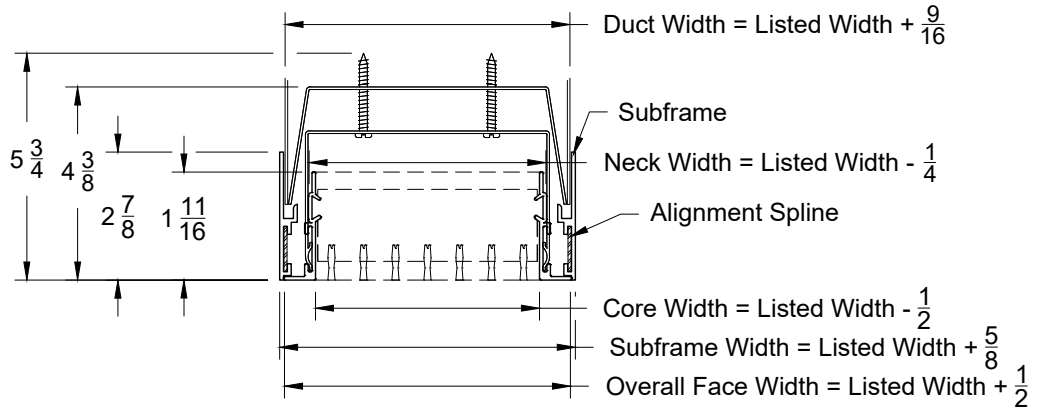


Available Widths	
Min	1 1/2
Max	24

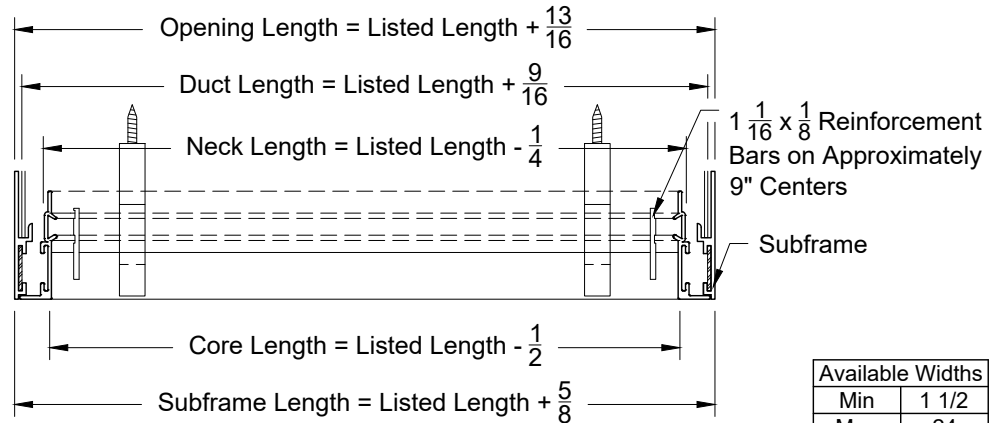
*Available in 1/2 increments

Side View





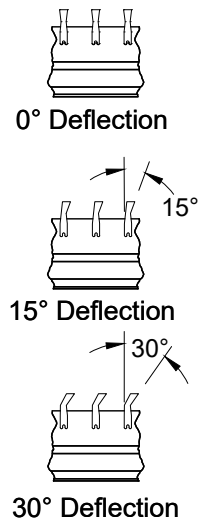
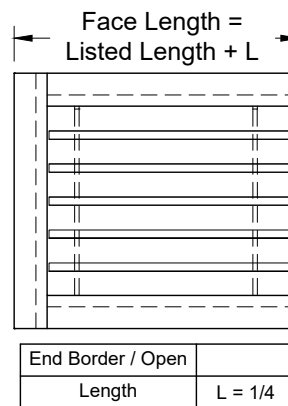
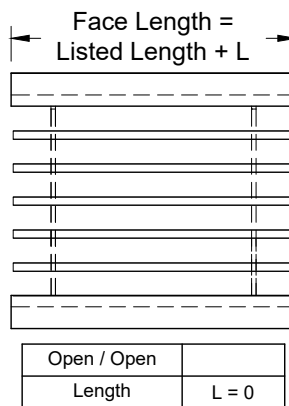
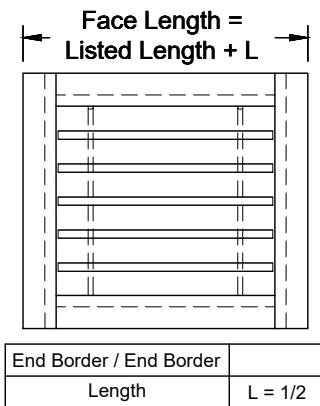
End View

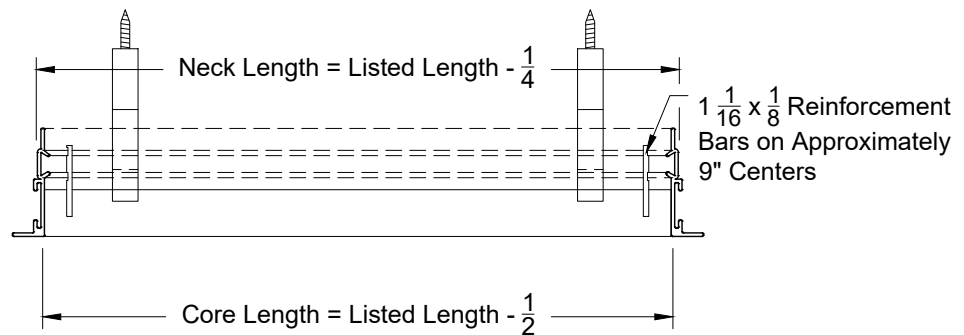
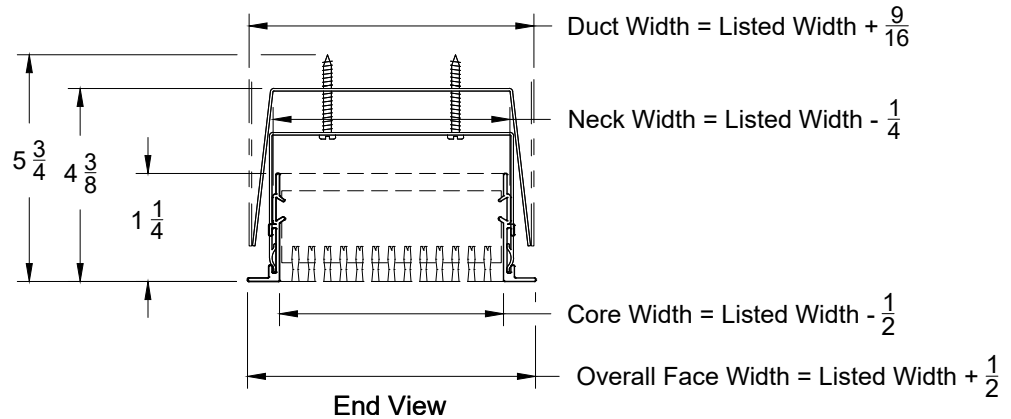


Available Widths	
Min	1 1/2
Max	24

*Available in 1/2 increments

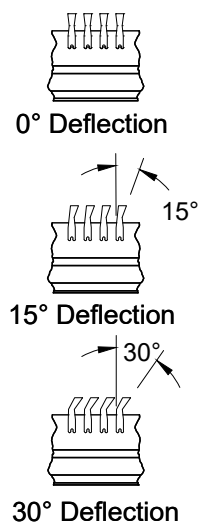
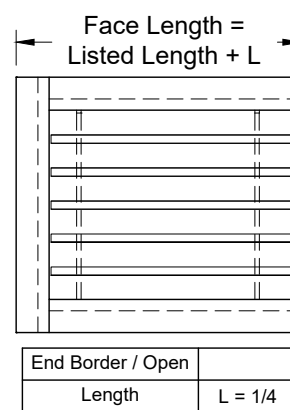
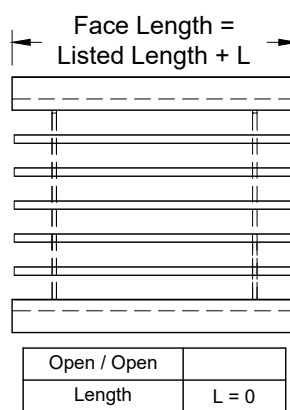
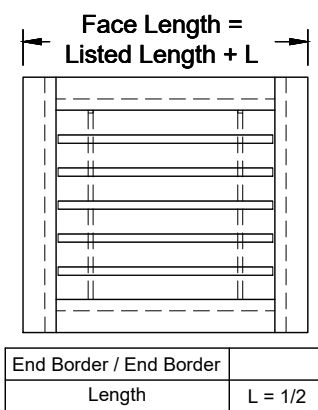
Side View

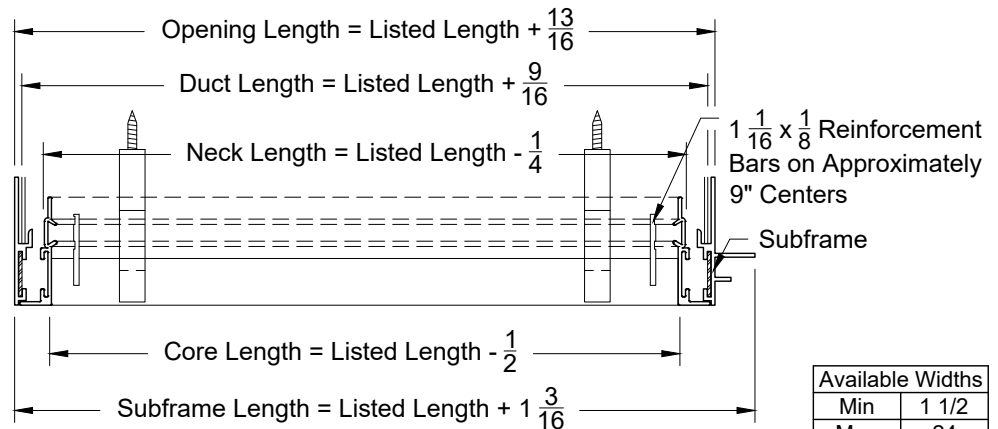
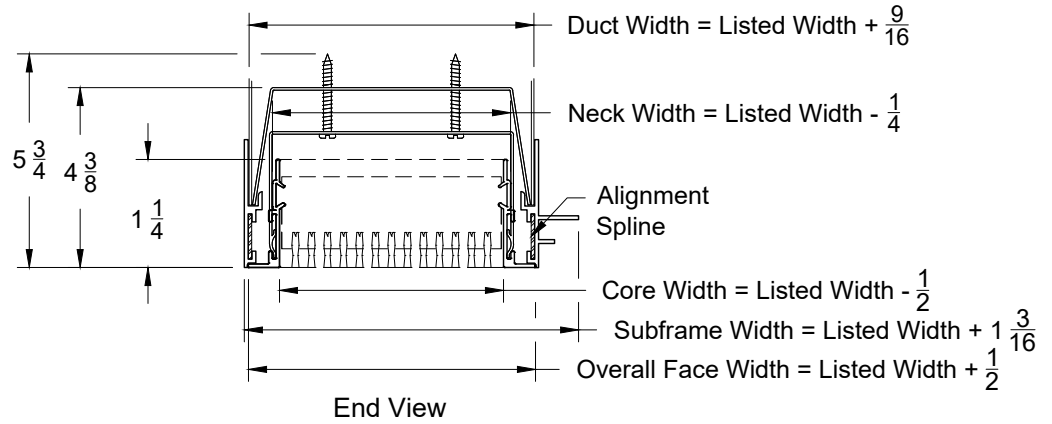




Available Widths	
Min	1 1/2
Max	24

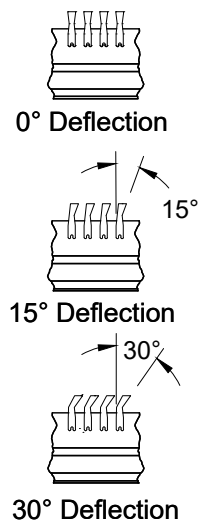
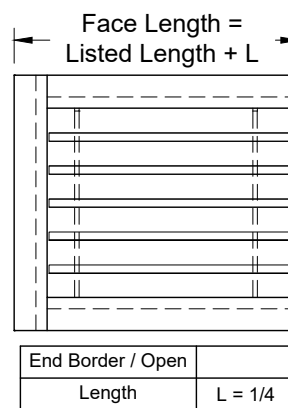
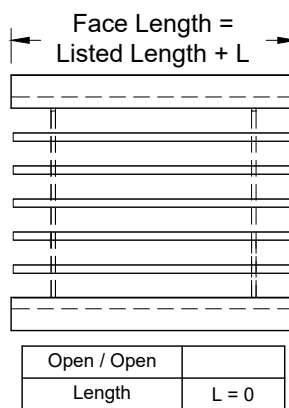
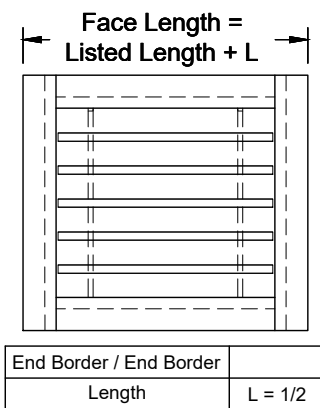
*Available in 1/2 increments

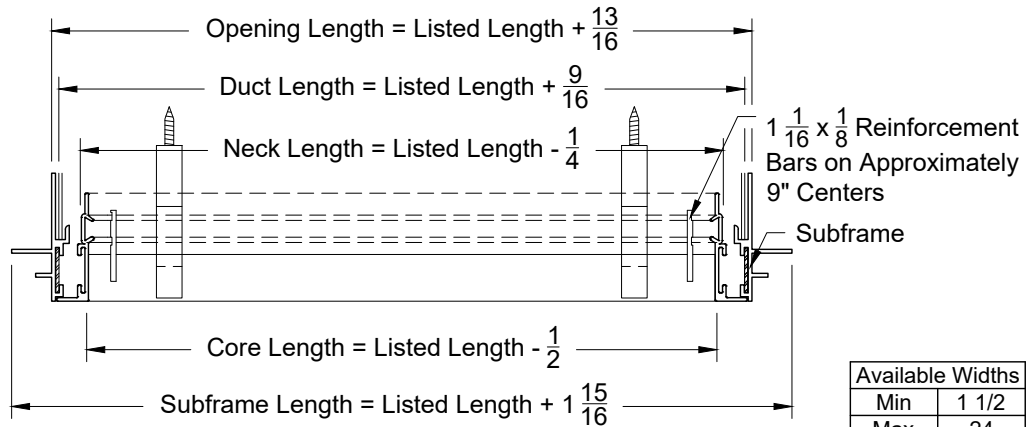
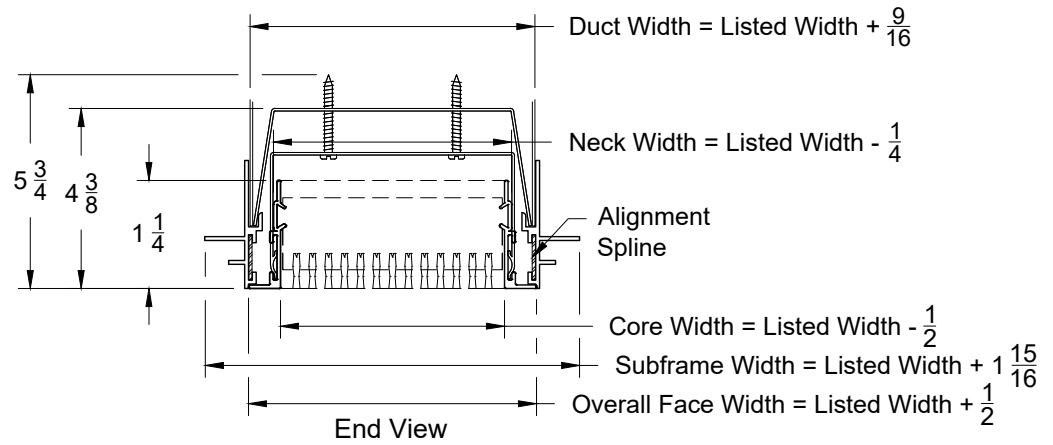




*Available in 1/2 increments

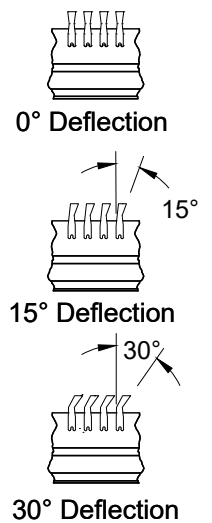
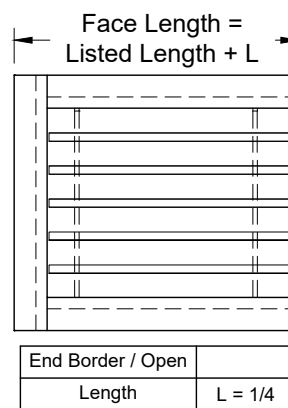
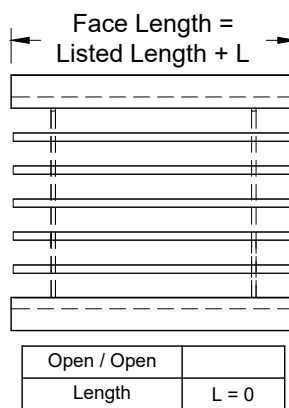
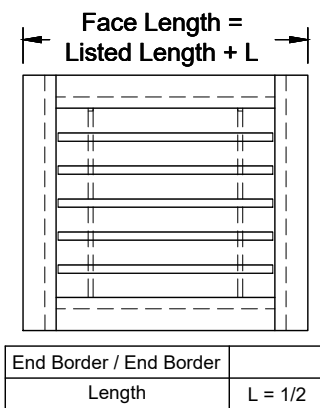
Side View

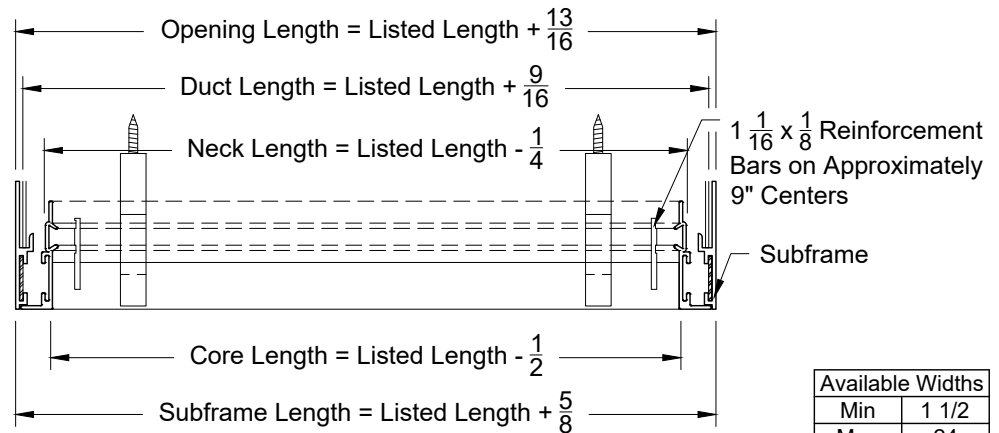
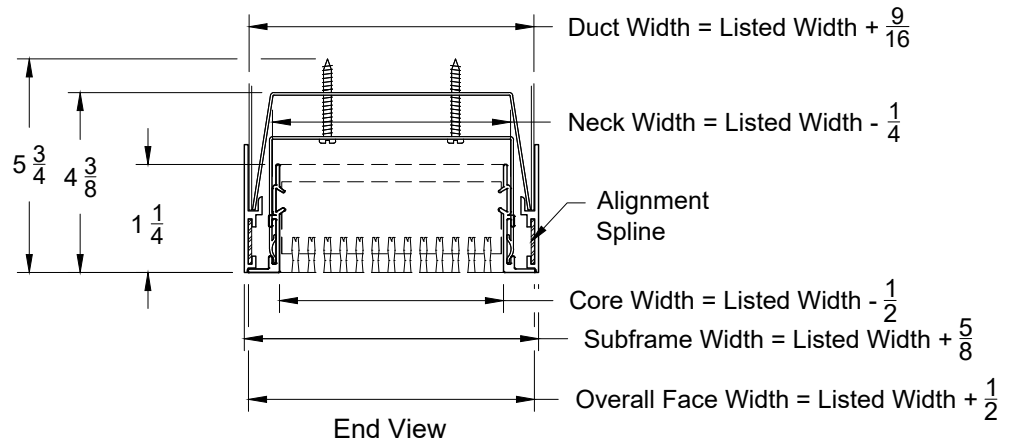




Available Widths	
Min	1 1/2
Max	24

*Available in 1/2 increments

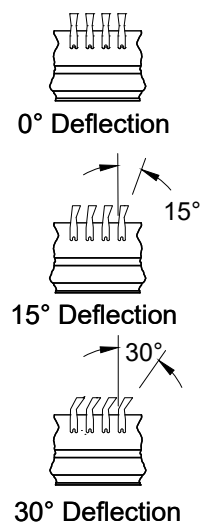
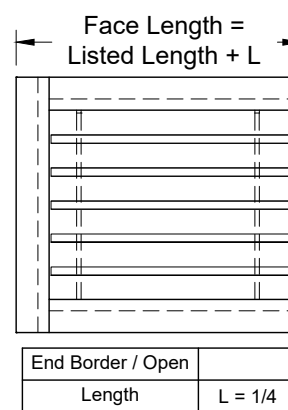
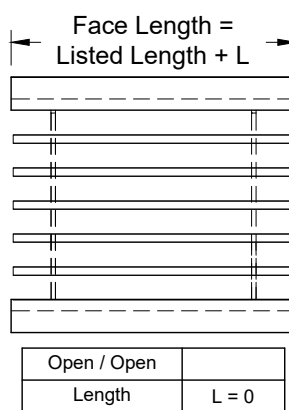
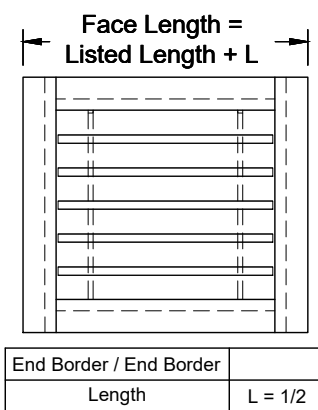


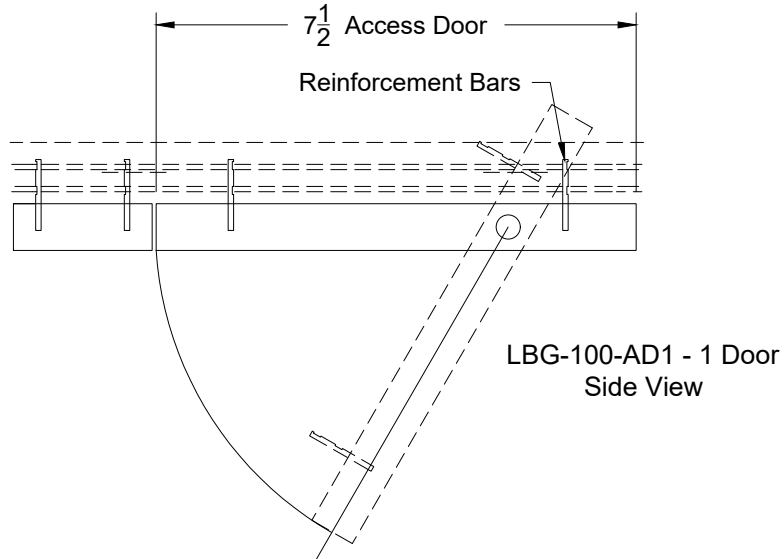


Available Widths	
Min	1 1/2
Max	24

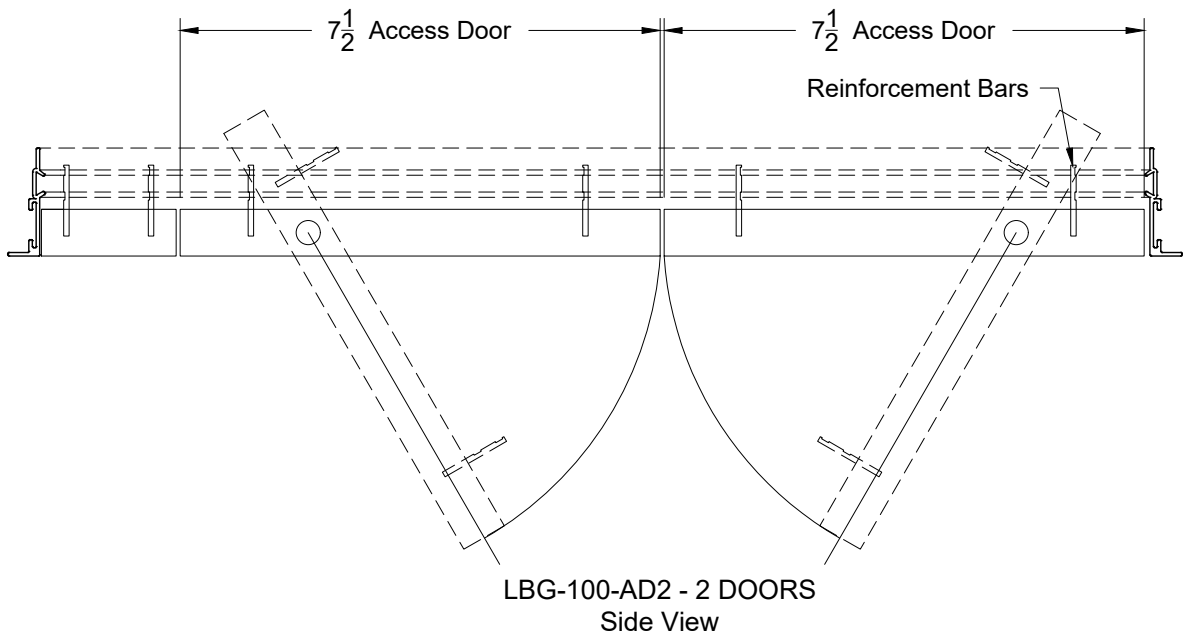
*Available in 1/2 increments

Side View





Note: Generic "Linear Bar Grille" shown for reference



Note: Generic "Linear Bar Grille" shown for reference